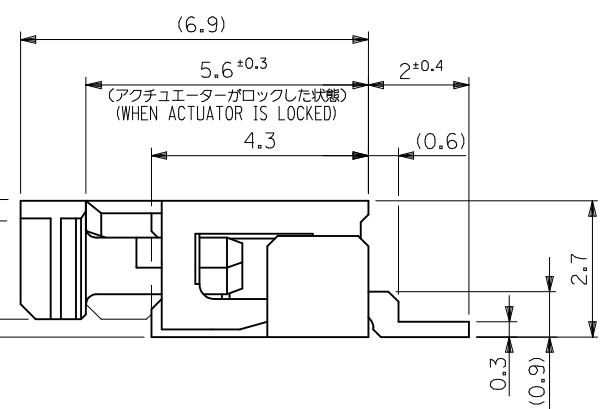
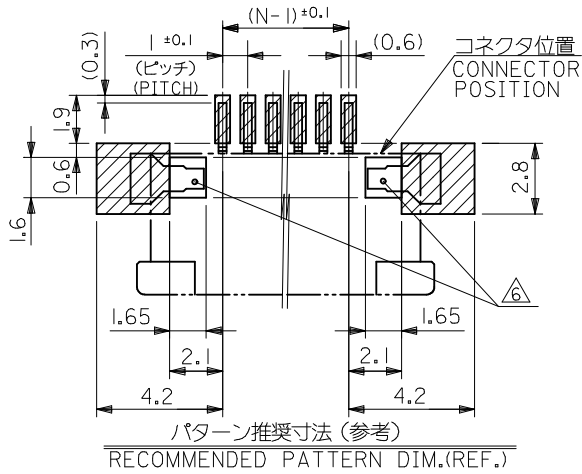
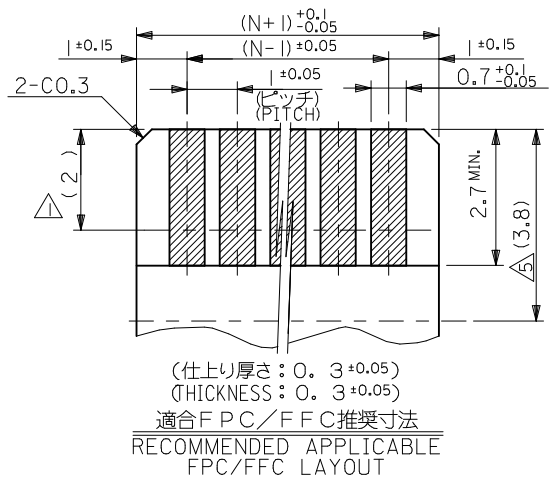
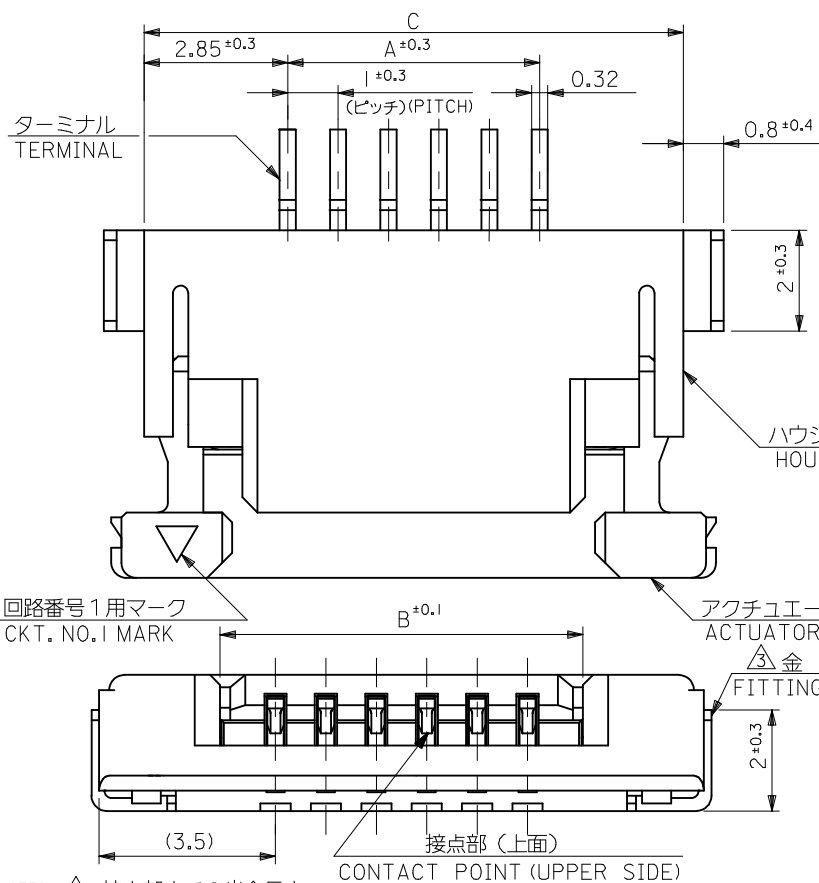


APPLY TO PRODUCTS MADE BY MOLEX MALAYSIA



34.7	31.2	29	52207-3056	30
33.7	30.2	28	-2956	29
32.7	29.2	27	-2856	28
31.7	28.2	26	-2756	27
30.7	27.2	25	-2656	26
28.7	25.2	23	-2456	24
27.7	24.2	22	-2356	23
26.7	23.2	21	-2256	22
25.7	22.2	20	-2156	21
24.7	21.2	19	-2056	20
23.7	20.2	18	-1956	19
21.7	18.2	16	-1756	17
20.7	17.2	15	-1656	16
19.7	16.2	14	-1556	15
18.7	15.2	13	-1456	14
17.7	14.2	12	-1356	13
16.7	13.2	11	-1256	12
15.7	12.2	10	-1156	11
14.7	11.2	9	-1056	10
13.7	10.2	8	-0956	9
12.7	9.2	7	-0856	8
11.7	8.2	6	-0756	7
10.7	7.2	5	-0656	6
9.7	6.2	4	-0556	5
8.7	5.2	3	-0456	4
7.7	4.2	2	52207-0356	3

注記 NOTES △ 接点部までの嵌合長さ。 LENGTH TO CONTACT POINT.

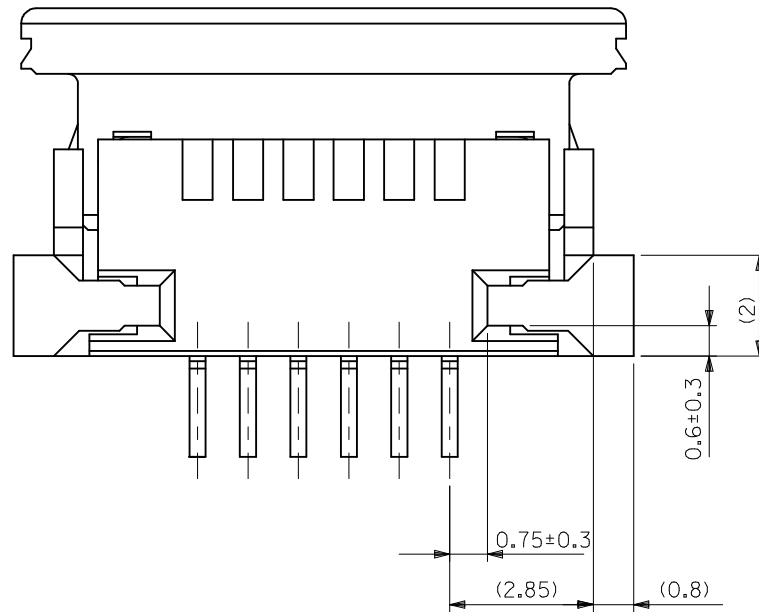
- 使用材料 MATERIAL
ハウジング HOUSING : 46ナイロン (耐熱性), UL94V-0
アクチュエータ ACTUATOR : PPS, UL94V-0
ターミナル TERMINAL : リン青銅, 錫ビスマスマッキ (t=0.32)
金具 FITTING NAIL : リン青銅, 錫メッキ (t=0.25)
FITTING NAIL : PHOSPHOR BRONZE, TIN OVER NICKEL PLATING. (t=0.25)
- パターンはくり止め用金具 FITTING NAIL FOR PREVENTION OF PEELING OF P.C.B.PATTERN.
- インボステープ梱包時は, アクチュエータがロックした状態とする。 IN THE PACKAGE, ACTUATOR OF PART NO. 52207-**56 SHOULD BE LOCKED.
- FPC挿入深さ INSERTION DEPTH OF FPC.
- パターン書き込み禁止エリア。 NO FOOT PRINT AREA.
- SIMILAR ITEM : 52207-**58

REVISED EC NO: J2013-1521 DRWN:AYOSHI 01 2013/06/13 CHKD:YKOBAYASHI 02 2013/06/13 APPR:YNOGAWA 2013/07/03	GENERAL TOLERANCES (UNLESS SPECIFIED)	
	10 UNDER	± 0.2
	10 OVER 30 UNDER	± 0.25
	30 OVER	± 0.3
DESCRIPTION	ANGULAR	± 3 °
	DRAFT WHERE APPLICABLE MUST REMAIN WITHIN DIMENSIONS	

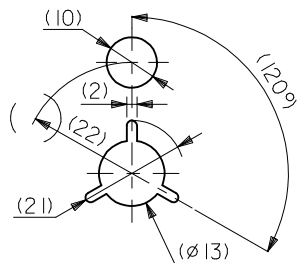
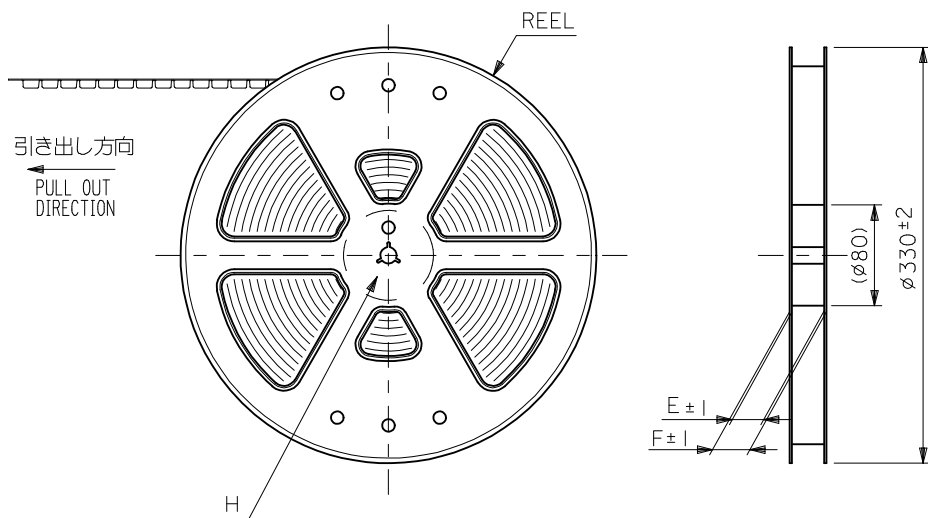
DIMENSION STYLE MM ONLY	
DRAWN BY Y. SAKIYA	DATE 2004/07/28
CHECKED BY M. SASAO	DATE 2004/07/28
APPROVED BY M. SASAO	DATE 2004/07/28
MATERIAL NO.	
SIZE A3	

52207-**56	MODEL NO.
SCALE ---	DESIGN UNITS METRIC
TITLE 1.0MM FPC CONN ZIF SMT	
-LEAD FREE-	
molex	
DOCUMENT NO. SD-52207-062	SHEET NO. 1 OF 2

APPLY TO PRODUCTS MADE BY MOLEX MALAYSIA



REVISED EC NO: J2013-1521 DRWN: YOSHII 2013/06/13 CHKD: KOBAYASHI 02 2013/06/13 APPR: YNOGAWA 2013/07/03	DESCRIPTION REV	GENERAL TOLERANCES (UNLESS SPECIFIED)		DIMENSION STYLE MM ONLY		52207-**56		MODEL NO.		
		10 UNDER ±0.2		DRAWN BY DATE Y. SAKIYA 2004/07/28		SCALE 10:1	DESIGN UNITS METRIC	THIRD ANGLE PROJECTION		
		10 OVER 30 UNDER ±0.25		CHECKED BY DATE M. SASAO 2004/07/28		TITLE 1.0MM FPC CONN ZIF SMT				
		30 OVER ±0.3		APPROVED BY DATE M. SASAO 2004/07/28		-LEAD FREE-				
ANGULAR ±3 °		DRAFT WHERE APPLICABLE MUST REMAIN WITHIN DIMENSIONS		MATERIAL NO. SEE SHEET 1 OF 2		DOCUMENT NO. SD-52207-062			SHEET NO. 2 OF 2	
				SIZE A3		THIS DRAWING CONTAINS INFORMATION THAT IS PROPRIETARY TO MOLEX INCORPORATED AND SHOULD NOT BE USED WITHOUT WRITTEN PERMISSION				

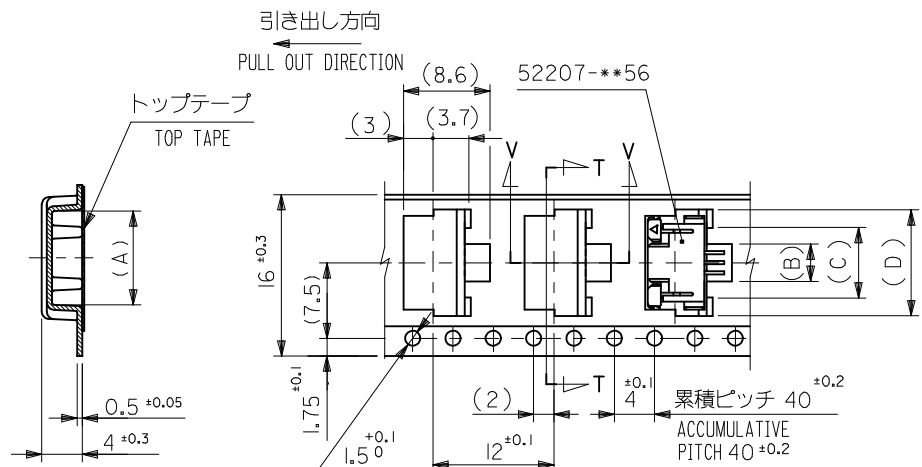


DETAIL H

注記

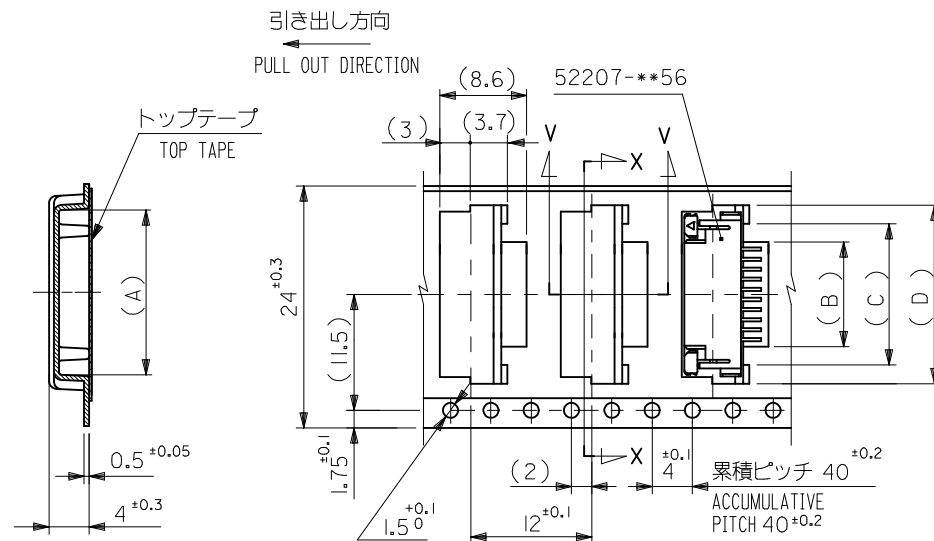
- 製品番号 52207-**56 の梱包状態はアクチュエータがロックした状態とする。
詳細寸法については図面 SD-52207-062 を参照下さい。
IN THE PACKAGE, ACTUATOR OF PART NO. 52207-**56 SHOULD BE LOCKED
RE DETAILED DIMENSIONS, SEE SD-52207-062.
- 梱包数量: 1000個/リール
NUMBER OF CONNECTORS: 1000PCS/REEL
- リードテープ長さ(LEAD TAPE LENGTH)
トップテープ TOP TAPE トップテープ TOP TAPE
リーダー部 LEADER PART 未接着部 NON-BONDED PART
- トップテープの剥離強度: 0.1~1.3 N (10~130 gf) (剥離方向は下図参照)
尚、本規格値は、出荷時に適用。(但し、輸送時に剥離が発生しない事。)
PEELING OFF FORCE OF TOP TAPE: 0.1~1.3 N (10~130 gf)
(PEELING DIRECTION AS SHOWN IN FOLLOWING FIG.)
THIS REQUIREMENT SHOULD BE APPLIED AT SHIPMENT. (PEEL OFF SHOULD NOT BE ALLOWED, DURING TRANSPORTATION.)
- 材料(MATERIAL)
キャリアテープ (CARRIER TAPE): ポリプロピレン (POLYPROPYLENE)
トップテープ (TOPTAPE): PET, PE, PEF
リール (REEL): ポリスチレン (PS) <リサイクル材を含む>
POLYSTYRENE (PS) <RECYCLE MATERIAL CONTAINED>
- SIMILAR ITEM: 52207-**82

REVISED EC NO: J2013-4521 DRWN:AYOSHI I 01 2013/06/13 CHKD:YKOBAYASHI 02 2013/06/13 APPR:YNOGAWA 2013/07/03	DESCRIPTION	GENERAL TOLERANCES (UNLESS SPECIFIED)		DIMENSION STYLE MM ONLY		52207-**83		MODEL NO.		
		10 UNDER ±0.2		DRAWN BY DATE Y. SAKIYA 2004/07/28		SCALE ---	DESIGN UNITS METRIC	THIRD ANGLE PROJECTION		
		10 OVER 30 UNDER ±0.25		CHECKED BY DATE M. SASAO 2004/07/28		TITLE EMBSTP PKG FOR 1.0MM FPC CONN ZIF SMT -LEAD FREE- molex				
		30 OVER ±0.3		APPROVED BY DATE M. SASAO 2004/07/28						
B	REV	ANGULAR ±3 °		MATERIAL NO. SEE SHEET 2,3,4		DOCUMENT NO. SD-52207-063		SHEET NO. 1 OF 4		
		DRAFT WHERE APPLICABLE MUST REMAIN WITHIN DIMENSIONS		SIZE A3		THIS DRAWING CONTAINS INFORMATION THAT IS PROPRIETARY TO MOLEX INCORPORATED AND SHOULD NOT BE USED WITHOUT WRITTEN PERMISSION				



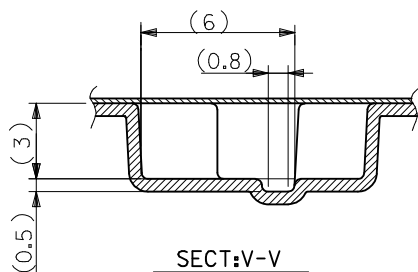
SECT:T-T

16mm 幅 キャリアテープ
16mm WIDTH CARRIER TAPE



SECT:X-X

24mm 幅 キャリアテープ
24mm WIDTH CARRIER TAPE

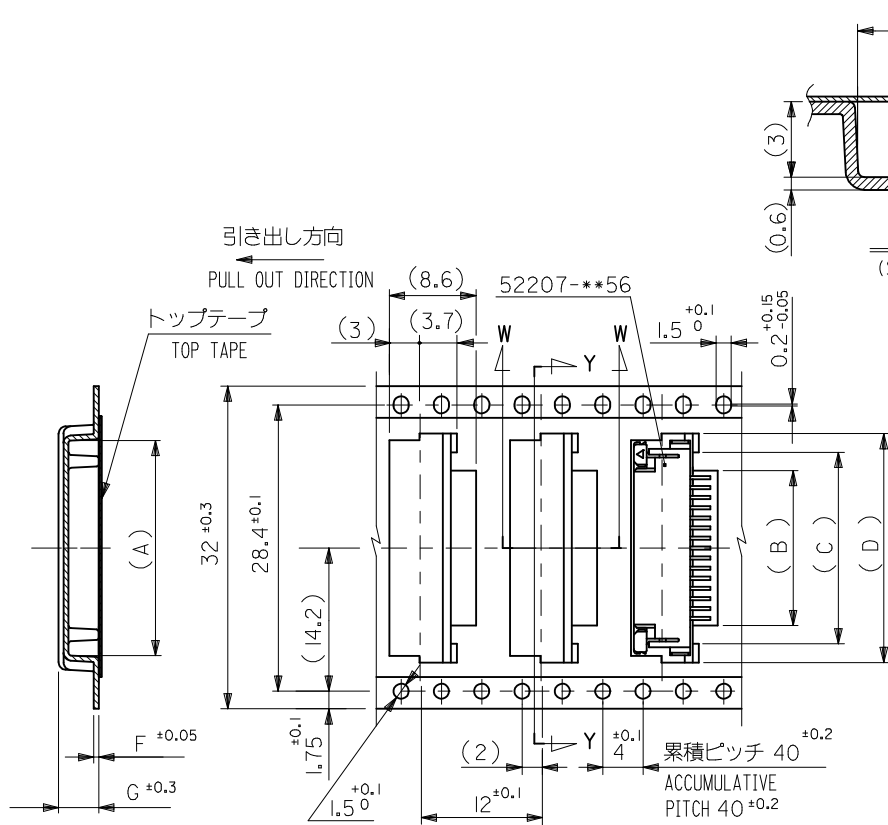


SECT:V-V
SCALE (5:1)

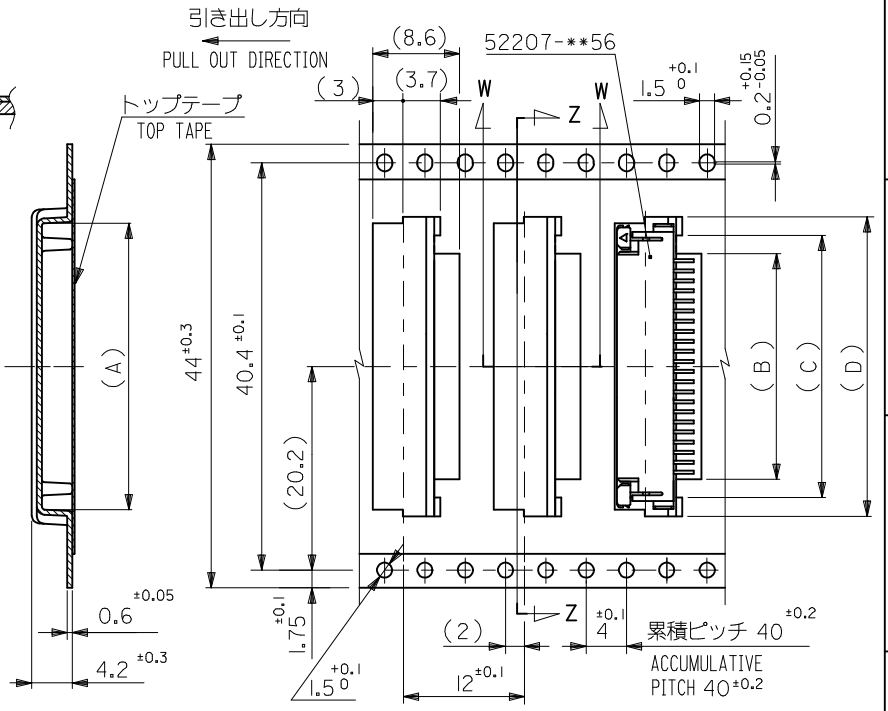
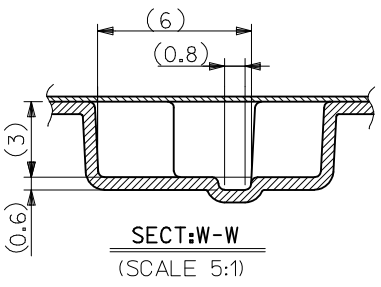
24	29.4	25.4	18.5	15	11.7	17.3	52207-1183	11
			17.5	14	10.7	16.3	-1083	10
			16.5	13	9.7	15.3	-0983	9
			15.5	12	8.7	14.3	-0883	8
			14.5	11	7.7	13.3	-0783	7
			13.5	10	6.7	12.3	-0683	6
			12.5	9	5.7	11.3	-0583	5
11.5	8	4.7	10.3	-0483	4			
16	21.4	17.4	10.5	7	3.7	9.3	52207-0383	3
キャリアテープ幅 CARRIER TAPE WIDTH	F	E	(D)	(C)	(B)	(A)	MATERIAL NO.	CIRCUIT

REVISED EC NO: J2013-1521 DRWN:AYOSHI 01 2013/06/13 CHKD:YKOBAYASHI 02 2013/06/13 APPR:YNOGAWA 2013/07/03	DESCRIPTION	GENERAL TOLERANCES (UNLESS SPECIFIED)		DIMENSION STYLE MM ONLY		SCALE 2:1	DESIGN UNITS METRIC	MODEL NO. 52207-***83	
		10 UNDER	± ---	DRAWN BY Y. SAKIYA	DATE 2004/07/28	TITLE EMBSTP PKG FOR 1.0MM FPC CONN ZIF SMT -LEAD FREE-			
		10 OVER 30 UNDER	± ---	CHECKED BY M. SASAO	DATE 2004/07/28				
		30 OVER	± ---	APPROVED BY M. SASAO	DATE 2004/07/28				
REV	DESCRIPTION	ANGULAR	± --- °	MATERIAL NO.	SEE SHEET 2,3,4	DOCUMENT NO.	SD-52207-063	SHEET NO.	2 OF 4
		DRAFT WHERE APPLICABLE MUST REMAIN WITHIN DIMENSIONS		THIS DRAWING CONTAINS INFORMATION THAT IS PROPRIETARY TO MOLEX INCORPORATED AND SHOULD NOT BE USED WITHOUT WRITTEN PERMISSION					

APPLY TO PRODUCTS MADE BY MOLEX MALAYSIA



32mm 幅 キャリアテープ
32mm WIDTH CARRIER TAPE



44mm 幅 キャリアテープ
44mm WIDTH CARRIER TAPE

32	37.4	33.4	4.0	0.5	23.5	20	16.7	22.35	52207-1683	16
			4.2	0.6	22.5	19	15.7	21.35	4 -1583	15
			4.2	0.6	21.5	18	14.7	20.35	-1483	14
			4.2	0.6	20.5	17	13.7	19.35	▽ -1383	13
			4.2	0.6	19.5	16	12.7	18.35	52207-1283	12
キャリアテープ幅 CARRIER TAPE WIDTH	F	E	(G)	(F)	(D)	(C)	(B)	(A)	MATERIAL NO.	CIRCUIT

44	49.4	45.4	34.5	31	27.7	33.35	52207-2783	27
			33.5	30	26.7	32.35	4 -2683	26
			31.5	28	24.7	30.35	-2483	24
			30.5	27	23.7	29.35	-2383	23
			29.5	26	22.7	28.35	-2283	22
			28.5	25	21.7	27.35	-2183	21
			27.5	24	20.7	26.35	-2083	20
			26.5	23	19.7	25.35	▽ -1983	19
24.5	21	17.7	23.35	52207-1783	17			
キャリアテープ幅 CARRIER TAPE WIDTH	F	E	(D)	(C)	(B)	(A)	MATERIAL NO.	CIRCUIT

REVISED EC NO: J2013-1521 DRWN:AYOSHI I 01 2013/06/13 CHKD:YKOBAYASHI 02 2013/06/13 APPR:YNOGAWA 2013/07/03

DESCRIPTION

GENERAL TOLERANCES (UNLESS SPECIFIED)

10 UNDER ± ---
10 OVER 30 UNDER ± ---
30 OVER ± ---

ANGULAR ± --- °
DRAFT WHERE APPLICABLE MUST REMAIN WITHIN DIMENSIONS

DIMENSION STYLE MM ONLY

DRAWN BY Y. SAKIYA DATE 2004/07/28
CHECKED BY M. SASAO DATE 2004/07/28
APPROVED BY M. SASAO DATE 2004/07/28

SCALE 2:1 DESIGN UNITS METRIC

THIRD ANGLE PROJECTION

TITLE EMBSTP PKG FOR 1.0MM FPC CONN ZIF SMT -LEAD FREE-

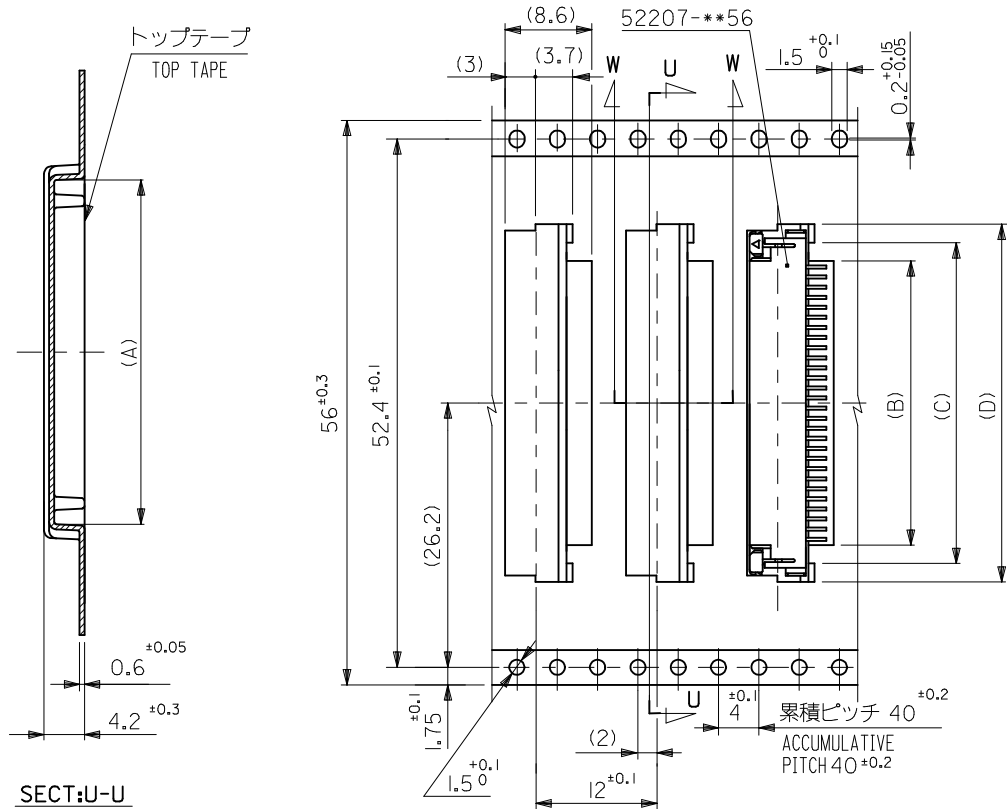
molex

MATERIAL NO. SEE SHEET 2,3,4 DOCUMENT NO. SD-52207-063

SHEET NO. 3 OF 4

THIS DRAWING CONTAINS INFORMATION THAT IS PROPRIETARY TO MOLEX INCORPORATED AND SHOULD NOT BE USED WITHOUT WRITTEN PERMISSION

APPLY TO PRODUCTS MADE BY MOLEX MALAYSIA



56mm 幅 キャリアテープ
56mm WIDTH CARRIER TAPE

56	61.4	57.4	37.5	34	30.7	36.35	52207-3083	30
			36.5	33	29.7	35.35	52207-2983	29
			35.5	32	28.7	34.35	52207-2883	28
キャリアテープ幅 CARRIER TAPE WIDTH	F	E	(D)	(C)	(B)	(A)	MATERIAL NO.	CIRCUIT

REVISED EC NO: J2013-1521 DRWN: YOSHI I 01 2013/06/13 CHKD: YKOBAYASHI 02 2013/06/13 APPR: YNOGAWA 2013/07/03	DESCRIPTION	GENERAL TOLERANCES (UNLESS SPECIFIED)		DIMENSION STYLE MM ONLY		52207-**-83		MODEL NO.	
		10 UNDER	±---	DRAWN BY	DATE	SCALE	DESIGN UNITS	THIRD ANGLE PROJECTION	
		10 OVER 30 UNDER	±---	Y. SAKIYA	2004/07/28	2:1	METRIC	TITLE	
		30 OVER	±---	M. SASAO	2004/07/28	EMBSTP PKG FOR 1.0MM FPC CONN ZIF SMT -LEAD FREE-		molex	
REV	DESCRIPTION	ANGULAR	±--- °	APPROVED BY	DATE	MATERIAL NO.	DOCUMENT NO.	SHEET NO.	
B		DRAFT WHERE APPLICABLE MUST REMAIN WITHIN DIMENSIONS		M. SASAO	2004/07/28	SEE SHEET 2,3,4	SD-52207-063	4 OF 4	
		SIZE	A3	THIS DRAWING CONTAINS INFORMATION THAT IS PROPRIETARY TO MOLEX INCORPORATED AND SHOULD NOT BE USED WITHOUT WRITTEN PERMISSION					