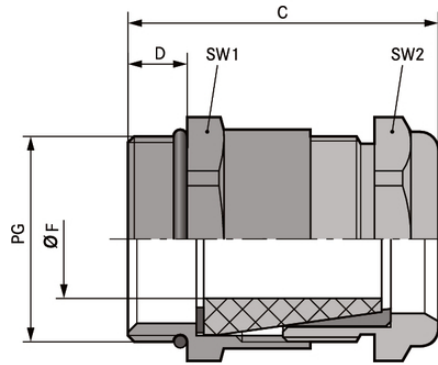


SKINDICHT® SHV

SKINDICHT® SHV, watertight PG special sealing brass cable gland with high strain relief and gentle cable clamping



Waterproof



Robust



Optimum strain relief

Benefits

Watertight
Gentle cable clamping
Robust
High strain relief

Application range

Watertight cable gland with conical sealing element.
Pumps
Floater switches

Product Make-up

PG connection thread

Note

Counter nut to be used: SKINDICHT® SM
Suitable accessory: SKINDICHT® SHV sealing cones
Example order designation:
SHV 13.5/9/9
13.5 = PG thread of compression screw
9 = PG connection thread
9 = clear opening of sealing cone

Last Update (25.05.2019)

©2019 Lapp Group - Technical changes reserved

Product Management www.lappkabel.de

You can find the current technical data in the corresponding data sheet.

PN 0456 / 02_03.16

SKINDICHT® SHV

Technical Data

Classification ETIM 5:	ETIM 5.0 Class-ID: EC000441 ETIM 5.0 Class-Description: Cable screw gland
Classification ETIM 6:	ETIM 6.0 Class-ID: EC000441 ETIM 6.0 Class-Description: Cable screw gland
Caution:	The installation dimensions can be found in appendix T21
Material:	Body: nickel-plated brass Sealing cone: CR O-ring: NBR
Protection rating:	IP 68 - 10 bar
Temperature range:	-20°C to +80°C

Note

Photographs and graphics are not to scale and do not represent detailed images of the respective products.
Prices are net prices without VAT and surcharges. Sale to business customers only.

SKINDICHT® SHV

Article number	Article designation / size	Clamping range ØF mm	SW 1/2 mm	Overall length C mm	Thread length D mm	Pieces / PU
SKINDICHT® SHV						
52002530	SHV 7/7/5	3.8 - 4.8	14	26.0	5	50
52002550	SHV 9/9/6	4.8 - 5.8	17	28.5	6	50
52002540	SHV 9/9/7	5.8 - 6.8	17	28.5	6	50
52002570	SHV 11/11/7	5.8 - 6.8	20	31.0	6	25
52002560	SHV 11/11/9	6.8 - 8.8	20	31.0	6	25
52010650	SHV 13,5/9/9	6.5 - 8.8	22	33.0	6.5	25
52010660	SHV 13,5/9/11	8.5 - 10.8	22	33.0	6.5	25
52010670	SHV 13,5/11/9	6.8 - 8.8	22	33.0	6.5	25
52010680	SHV 13,5/11/11	8.5 - 10.8	22	33.0	6.5	25
52002600	SHV 13,5/13,5/9	6.8 - 8.8	22	33.0	6.5	25
52002590	SHV 13,5/13,5/11	8.5 - 10.8	22	33.0	6.5	25
52010690	SHV 16/11/11	8.5 - 10.8	24	35.0	6.5	25
52010700	SHV 16/11/13	10.8 - 12.8	24	35.0	6.5	25
52010710	SHV 16/11/15	13.8 - 14.8	24	35.0	6.5	25
52010720	SHV 16/13,5/11	8.5 - 10.8	24	35.0	6.5	25
52010730	SHV 16/13,5/13	10.8 - 12.8	24	35.0	6.5	25
52010740	SHV 16/13,5/15	13.8 - 14.8	24	35.0	6.5	25
52002640	SHV 16/16/11	8.5 - 10.8	24	35.0	6.5	25
52002630	SHV 16/16/13	10.8 - 12.8	24	35.0	6.5	25
52002620	SHV 16/16/15	13.8 - 14.8	24	35.0	6.5	25
52010750	SHV 21/16/16	13.3 - 15.6	30	40.0	7	25
52010760	SHV 21/16/18	15.8 - 17.8	30	38.0	7	25
52010770	SHV 21/16/20	17.5 - 19.8	30	38.0	7	25
52002670	SHV 21/21/16	14.8 - 15.8	30	38.0	7	25
52002660	SHV 21/21/18	15.8 - 17.8	30	38.0	7	25
52002650	SHV 21/21/20	17.5 - 19.8	30	38.0	7	25
52002710	SHV 29/29/22	19.5 - 21.8	40	44.5	8	10
52002700	SHV 29/29/24	21.8 - 23.8	40	44.5	8	10
52002690	SHV 29/29/26	23.8 - 25.8	40	44.5	8	10

Last Update (25.05.2019)

©2019 Lapp Group - Technical changes reserved

 Product Management www.lappkabel.de

You can find the current technical data in the corresponding data sheet.

PN 0456 / 02_03_16