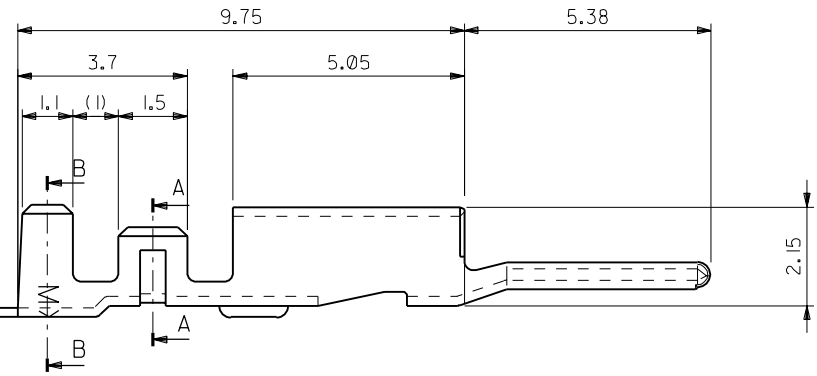
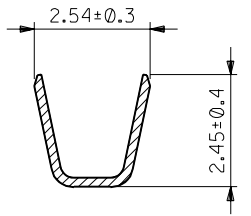
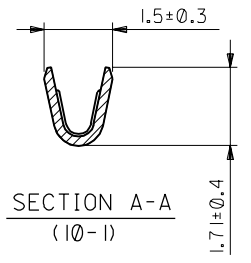
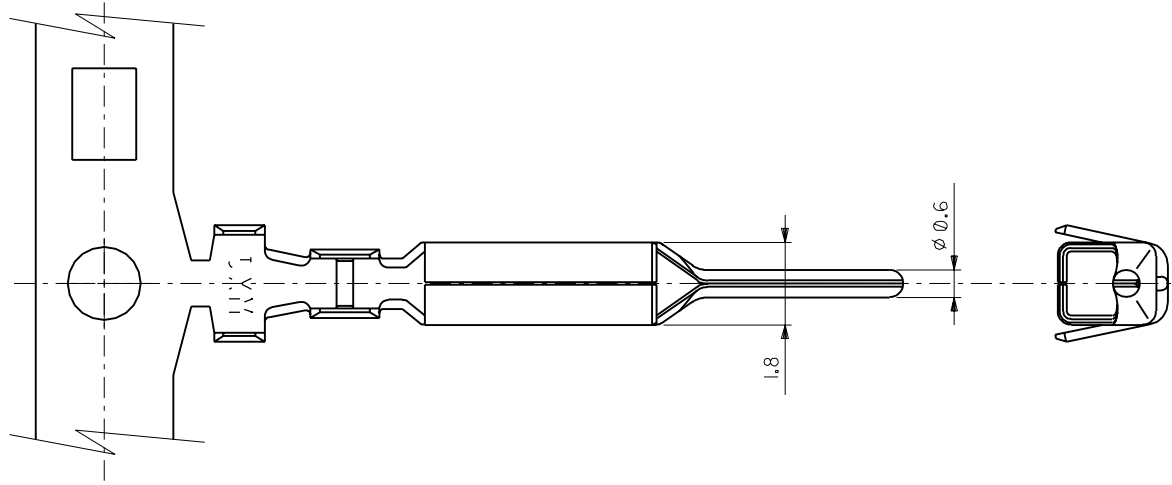


DWG. NO. SD-50837-002



注記
NOTE.

1. 適合ハウジング : 51198-***00
APPLICABLE HOUSING

50837-8100	バラ状 LOOSE
50837-8000	連鎖状 CHAIN
製品番号 MATERIAL NO.	端子形状 FORM

DIMENSIONS:		SHT	REV
<input type="checkbox"/> mm	<input type="checkbox"/> INCH	<input checked="" type="checkbox"/> mm	<input type="checkbox"/> ONLY
		REVISE ON CAD ONLY	

DO NOT SCALE DRAWING

EC NO. DRWN: CHK: APPR:	EC NO. DRWN: CHK: APPR:	EC NO. DRWN: CHK: APPR:	EC NO. DRWN: CHK: APPR:	EC NO. DRWN: CHK: APPR:
				新規作成 PROPOSED
				EC NO. JD90189
				DRWN: M. YAGI '98/08/05
				CHK: Y. ITO
				APPR: H. IKESUGI

REV	DESCRIPTION
0	

MATERIAL 材料	りん青銅 スズメッキ (t=0.2)
	PRE-TINNED PHOSPHOR BRONZE (t=0.2)
FINISH 仕上げ	—
WIRE RANGE 適用線径範囲	AWG #22-#28
INS. RANGE 被覆外径	φ1.15 - φ1.8

GENERAL TOLERANCES: (UNLESS SPECIFIED) 一般公差	
10 UNDER 未満	+0.2
10 OVER 以上	+0.25
30 UNDER 未満	+0.25
30 OVER 以上	+0.3
ANGLE 角度	+3°

SCALE	10-1
DESIGN UNITS	<input checked="" type="checkbox"/> mm <input type="checkbox"/> INCH
DRAWN BY & DATE	<i>M. Yagi</i> '98/05/14
CHECKED BY & DATE	<i>Y. Ito</i>
APPROVED BY & DATE	<i>H. Ikesugi</i>
CAD FILE NAME	50837002.S01

THIRD ANGLE PROJECTION	TITLE:	2.5 WIRE TO BOARD CONN. CRIMP PIN	
<input type="checkbox"/> mm INCH	<input type="checkbox"/> INCH	<input checked="" type="checkbox"/> mm	<input type="checkbox"/> ONLY
MATERIAL NO.		DRAWING NO.	
SEE CHART		SD-50837-002	
SHEET NO.		SIZE	
1 OF 1		B	