

51986-1 ✓ ACTIVE

## COPALUM

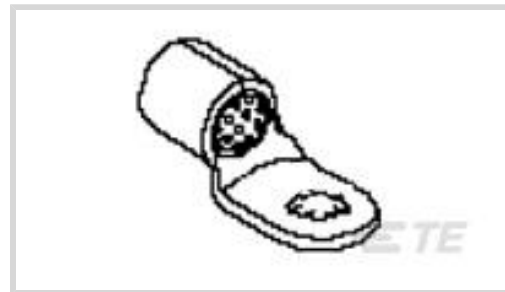
TE Internal #: 51986-1

Ring Terminals & Spade Terminals, Ring Tongue, 0 AWG Wire Size,  
50 mm<sup>2</sup> Wire Size, 83700 – 119500 CMA Wire Size, Stud Size M8 / 5  
/16

[View on TE.com >](#)



Terminals & Splices > Ring Terminals & Spade Terminals



Ring & Spade Terminal Type: **Ring Tongue**

Wire Size: **83700 – 119500 CMA**

Stud Size: **5/16, M8**

### Features

#### Product Type Features

Shape Description	RING-050
Stud Size	5/16, M8
Sealable	No
Wire Insulation Support Retention Type	Non-Insulation Support

#### Configuration Features

Number of Holes	1
Terminal Angle	180 °

#### Body Features

Weight per Piece	37.077 g
------------------	----------

#### Contact Features

Ring & Spade Terminal Type	Ring Tongue
Barrel Type	Closed
Terminal Orientation	Straight
Terminal Plating Material	Tin
Contact Underplating Material	None

#### Dimensions

Wire Size	83700 – 119500 CMA
Stud Diameter	8.33 mm[.328 in]
Tongue Thickness	1.85 mm[.073 in]



Overall Product Length	47.21 mm[1.859 in]
------------------------	--------------------

Barrel Inside Diameter	10.08 mm[.397 in]
------------------------	-------------------

### Usage Conditions

Insulation Option	Uninsulated
-------------------	-------------

Operating Temperature Range	-55 – 150 °C[-85 – 347 °F]
-----------------------------	----------------------------

### Operation/Application

Heavy Duty	No
------------	----

### Packaging Features

Packaging Quantity	50
--------------------	----

Packaging Method	Box
------------------	-----

### Other

Comment	Not approved for reconnection of residential aluminum branch circuit wiring.
---------	--

## Product Compliance

[For compliance documentation, visit the product page on TE.com>](#)

EU RoHS Directive 2011/65/EU	Compliant
------------------------------	-----------

EU ELV Directive 2000/53/EC	Compliant
-----------------------------	-----------

China RoHS 2 Directive MIIT Order No 32, 2016	No Restricted Materials Above Threshold
---	---

EU REACH Regulation (EC) No. 1907/2006	Current ECHA Candidate List: JUNE 2022 (224) Candidate List Declared Against: JUL 2021 (219) SVHC > Threshold: Not Yet Reviewed
--	--

Halogen Content	Not Yet Reviewed for halogen content
-----------------	--------------------------------------

Solder Process Capability	Not applicable for solder process capability
---------------------------	--

#### Product Compliance Disclaimer

This information is provided based on reasonable inquiry of our suppliers and represents our current actual knowledge based on the information they provided. This information is subject to change. The part numbers that TE has identified as EU RoHS compliant have a maximum concentration of 0.1% by weight in homogenous materials for lead, hexavalent chromium, mercury, PBB, PBDE, DBP, BBP, DEHP, DIBP, and 0.01% for cadmium, or qualify for an exemption to these limits as defined in the Annexes of Directive 2011/65/EU (RoHS2). Finished electrical and electronic equipment products will be CE marked as required by Directive 2011/65/EU. Components may not be CE marked. Additionally, the part numbers that TE has identified as EU ELV compliant have a maximum concentration of 0.1% by weight in homogenous materials for lead, hexavalent chromium, and mercury, and 0.01% for cadmium, or qualify for an exemption to these limits as defined in the Annexes of Directive 2000/53/EC (ELV). Regarding the REACH Regulation, the information TE provides on SVHC in articles for this part number is based on the latest European Chemicals Agency (ECHA) 'Guidance on requirements for substances in articles' posted at this URL: <https://echa.europa.eu/guidance-documents/guidance-on-reach>

## Compatible Parts



TE Part # 1490718-1  
DIE ASSY, COPALUM IP, #1/0



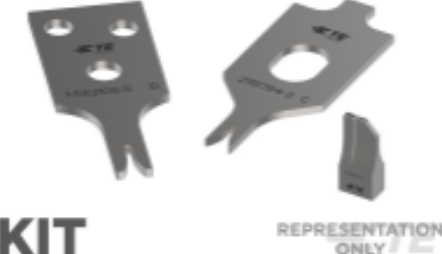
TE Part # 2387322-1  
Large Wire Applicator - LP



TE Part # 68047  
HYP8/10 COPALUM BAR 1/0AWG DIE SET



TE Part # 68131  
HYP8 COPALUM IP 1/0AWG DIE SET



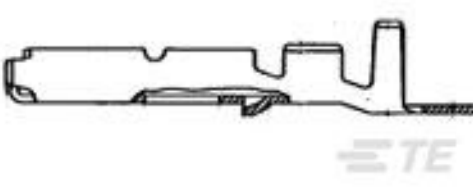
**KIT**  
REPRESENTATION ONLY

TE Part # 7-2387322-7  
Applicator KIT

## Customers Also Bought



TE Part # E40866-000  
RNF-100-MINI-SPL-3/4-BK




TE Part # 172773-4  
MIC MARK-2 REC B TYPE CONTACT



TE Part # 172777-4  
MIC MARK-2 TAB CONTACT




TE Part # 51989-1  
TERMINAL, COPALUM 2/0 5/16




TE Part # 52558-4  
TERMINAL, COPALUM R 300/350 MCM



TE Part # 52559-4  
TERMINAL, COPALUM R 250/300 MCM



TE Part # 172517-1  
21P CAP HSG MK-II W/FLANGE



TE Part # 1456777-3  
64P ARM HDR ASY, KEY A-J, SPEC-PACK



## Documents

### Product Drawings

[TERMINAL,COPALUM 1/0 5/16](#)

English

### CAD Files

[Customer View Model](#)

[ENG\\_CVM\\_CVM\\_51986-1\\_D.2d\\_dxf.zip](#)

English

[3D PDF](#)

3D

[Customer View Model](#)

[ENG\\_CVM\\_CVM\\_51986-1\\_D.3d\\_igs.zip](#)

English

[Customer View Model](#)

[ENG\\_CVM\\_CVM\\_51986-1\\_D.3d\\_stp.zip](#)

English

By downloading the CAD file I accept and agree to the [Terms and Conditions](#) of use.

### Datasheets & Catalog Pages

[COPALUM Lite Sealed Terminals and Splices](#)

English

### Product Specifications

[Application Specification](#)

English

[COPALUM Terminals And Splices For Solid And Stranded Wire](#)

English

[Application Specification](#)

Japanese

[Copalum Terminals & Splices f/Solid & Stranded Wire](#)

Japanese

### Agency Approvals

[UL Report](#)

English

[UL Report](#)



English