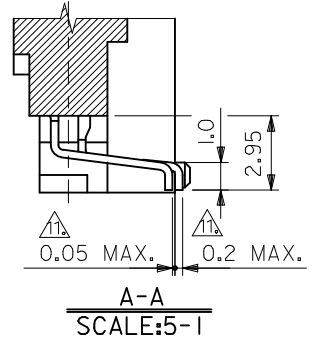
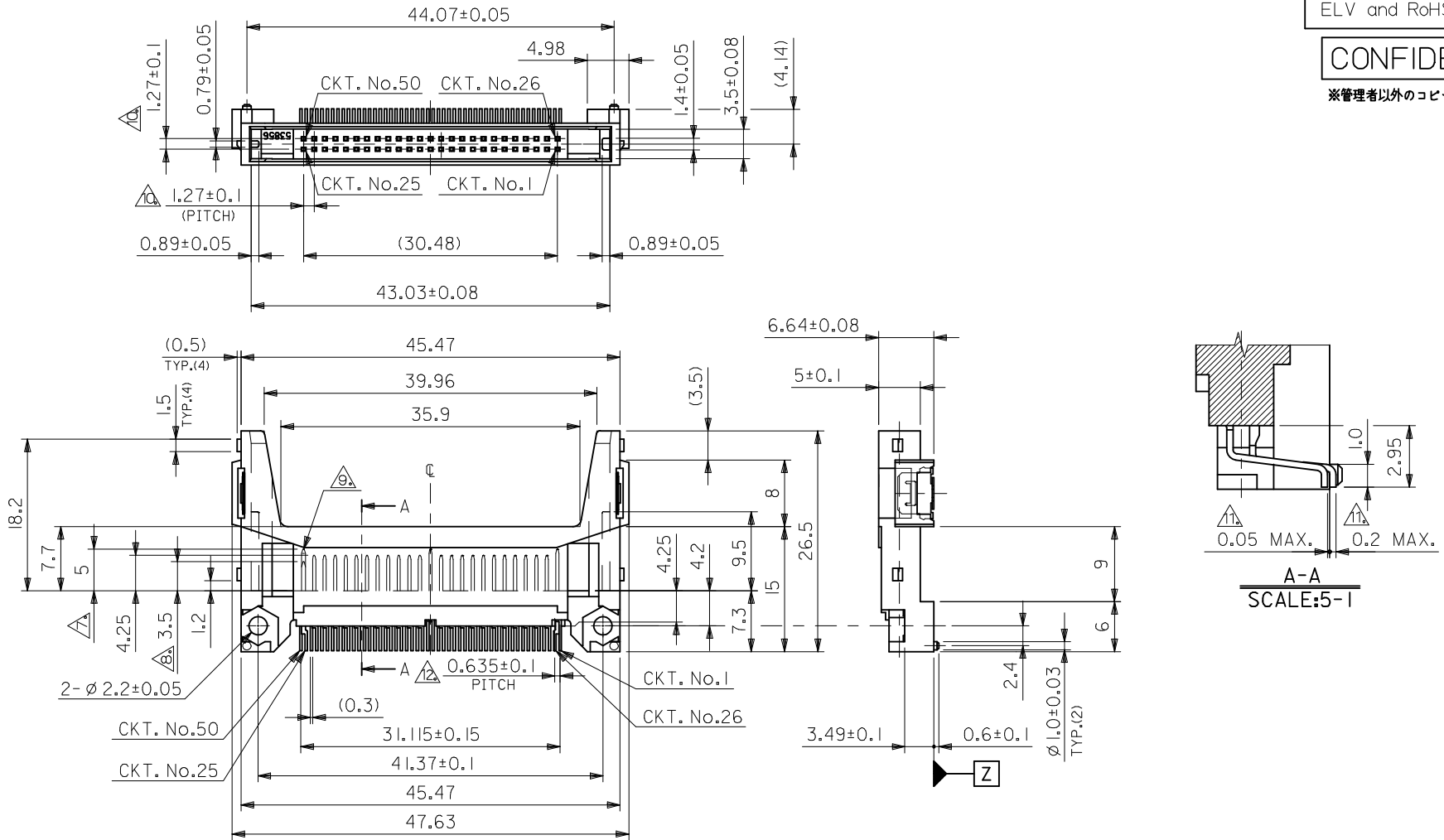


ELV and RoHS Compliant

CONFIDENTIAL

※管理者以外のコピー及び配布を禁ずる



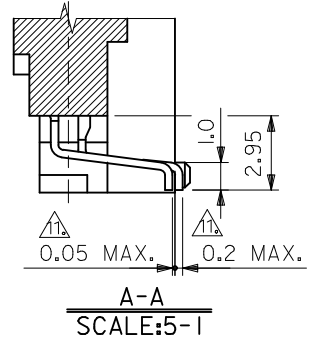
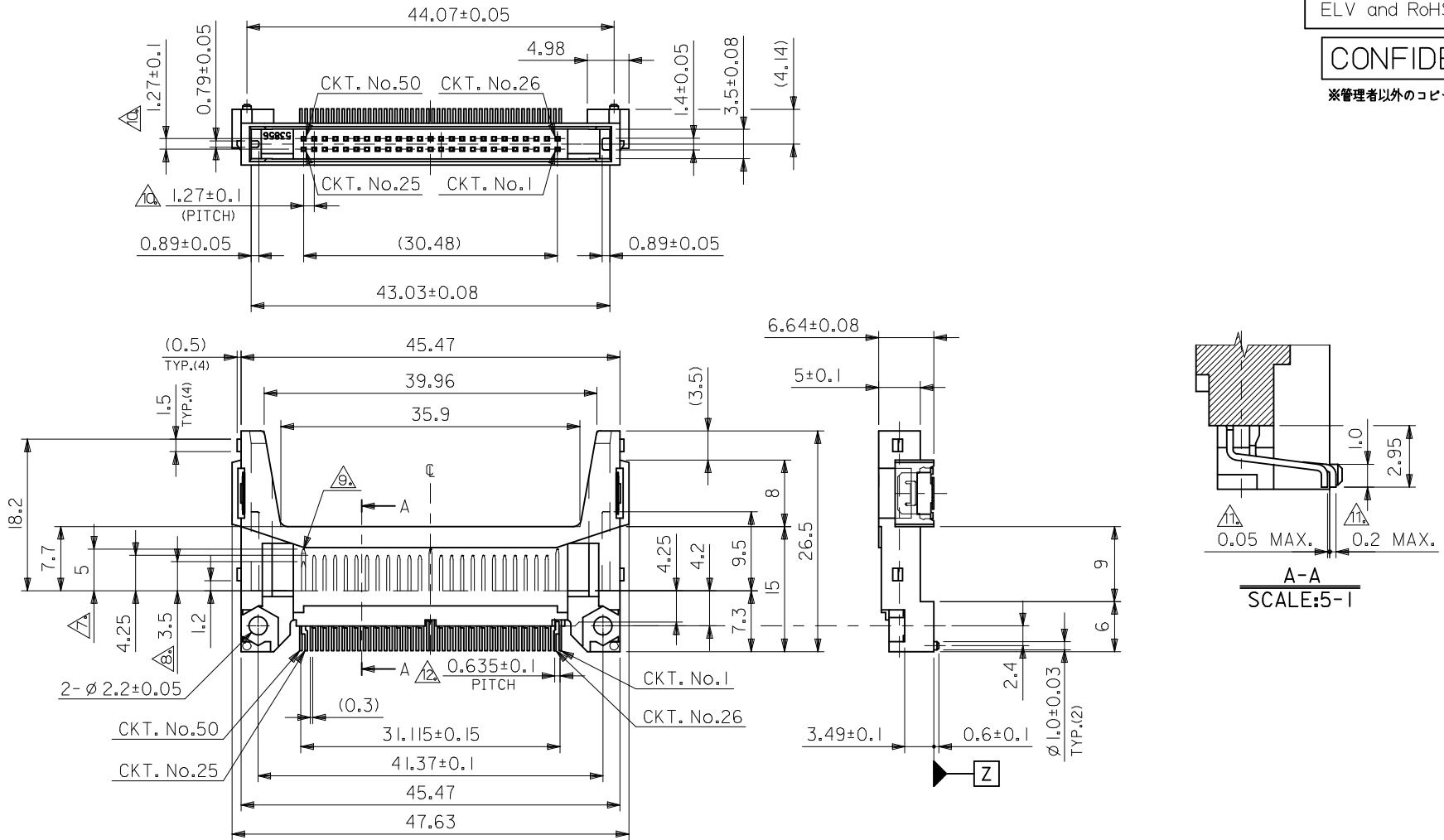
SOFT TRAY PACKAGE	WHITE	53856-5070	50	53856-507*
PACKING TRAY FORM	HOUSING COLOR	MATERIAL No.	No. OF CKT.	MODEL No.

REVISED EC NO: J2017-0575 DRAWINGS: 2017/05/19 CHKD: APPR: MSASAO 2017/06/29	GENERAL TOLERANCES (UNLESS SPECIFIED)		DIMENSION STYLE		SCALE	DESIGN UNITS	THIRD ANGLE PROJECTION
	0.25 UNDER ±0.03		MM ONLY		---	METRIC	☉
	0.25 OVER	0.5 UNDER ±0.05	DRAWN BY	DATE	TITLE		
	0.5 OVER	1.0 UNDER ±0.1	M. NABEI	'04/03/16	CF CARD CONN. HEADER ASS'Y -LEAD FREE-		
1.0 OVER	10 UNDER ±0.2	CHECKED BY	DATE	molex DOCUMENT NO. SD-53856-007 SHEET NO. 1 OF 2			
10 OVER	30 UNDER ±0.25	K. TOJO	'04/03/16				
30 OVER	±0.3	APPROVED BY	DATE	SEE CHART THIS DRAWING CONTAINS INFORMATION THAT IS PROPRIETARY TO MOLEX ELECTRONIC TECHNOLOGIES, LLC AND SHOULD NOT BE USED WITHOUT WRITTEN PERMISSION			
ANGULAR	±3 °	M. SASAO	'04/03/16				
DRAFT WHERE APPLICABLE MUST REMAIN WITHIN DIMENSIONS		SIZE					
		A3					

ELV and RoHS Compliant

CONFIDENTIAL

※管理者以外のコピー及び配布を禁ずる



SOFT TRAY PACKAGE	WHITE	53856-5070	50	53856-507*
PACKING TRAY FORM	HOUSING COLOR	MATERIAL No.	No. OF CKT.	MODEL No.

REVISED EC NO: J2017-0575 DRAWINGS: 2017/05/19 CHKD: APPR: MSASAO 2017/06/29	GENERAL TOLERANCES (UNLESS SPECIFIED)		DIMENSION STYLE		SCALE	DESIGN UNITS	THIRD ANGLE PROJECTION
	0.25 UNDER ±0.03		MM ONLY		---	METRIC	☉
	0.25 OVER	0.5 UNDER ±0.05	DRAWN BY	DATE	TITLE		
	0.5 OVER	1.0 UNDER ±0.1	M. NABEI	'04/03/16	CF CARD CONN. HEADER ASS'Y -LEAD FREE-		
1.0 OVER	10 UNDER ±0.2	CHECKED BY	DATE	molex DOCUMENT NO. SD-53856-007 SHEET NO. 1 OF 2			
10 OVER	30 UNDER ±0.25	K. TOJO	'04/03/16				
30 OVER	±0.3	APPROVED BY	DATE	SEE CHART THIS DRAWING CONTAINS INFORMATION THAT IS PROPRIETARY TO MOLEX ELECTRONIC TECHNOLOGIES, LLC AND SHOULD NOT BE USED WITHOUT WRITTEN PERMISSION			
ANGULAR	±3 °	M. SASAO	'04/03/16				
DRAFT WHERE APPLICABLE MUST REMAIN WITHIN DIMENSIONS		SIZE					
		A3					

注) NOTES

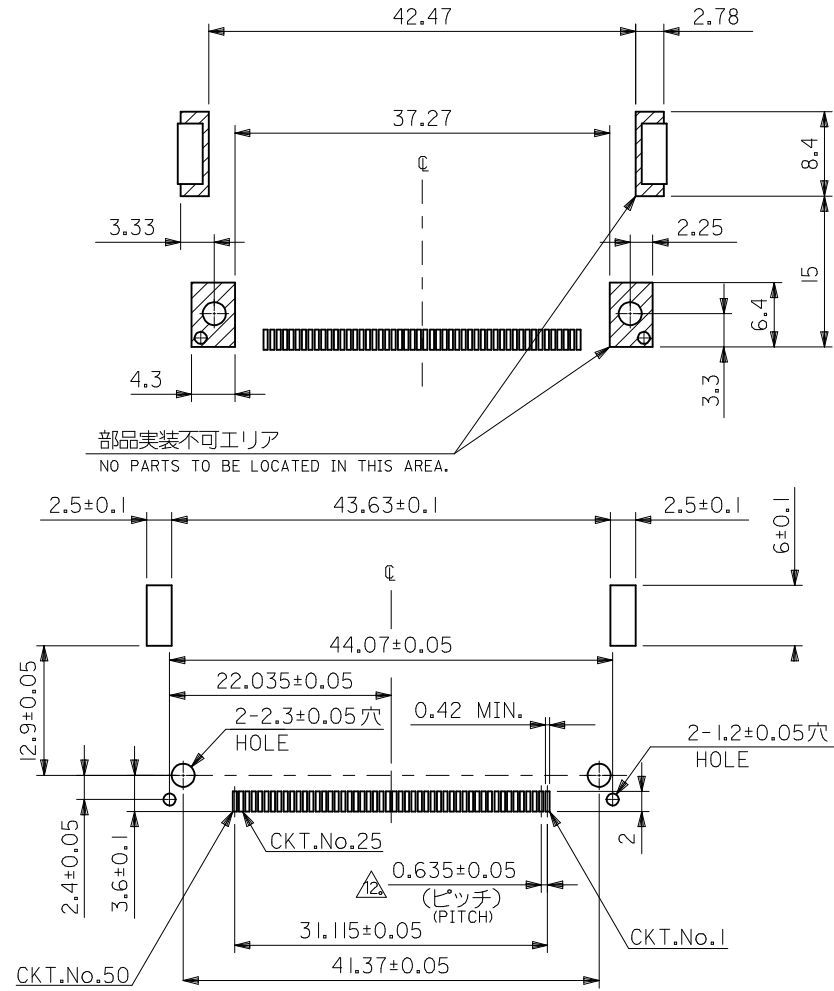
- 材質
MATERIAL
ハウジング: ガラス入りLCP UL94V-0
HOUSING: LCP G.F. UL94V-0
ピン: リン青銅
PIN: PHOSPHOR BRONZE
ネール: リン青銅
NAIL: PHOSPHOR BRONZE
- メッキ仕様
PLATING
PIN 接点部: ニッケル下地, パラジウムニッケル, 金メッキ
CONTACT AREA: PALLADIUM-NICKEL, GOLD OVER NICKEL
半田付け部: 錫メッキ
SOLDER TAIL AREA: TIN
下地メッキ: ニッケルメッキ
UNDERPLATING: NICKEL OVER ALL
NAIL 錫メッキ
TIN
下地メッキ: ニッケルメッキ
UNDERPLATING: NICKEL OVER ALL

- 推奨基板厚: $t \geq 0.8$ MIN.
RECOMMENDED P.C.B. THICKNESS: $t \geq 0.8$ MIN.
- 適合カード厚
RECOMMENDED CARD THICKNESS
接続部: 3.3 ± 0.1
CONNECTING AREA: 3.3 ± 0.1
- 適合カード幅: 42.8 ± 0.1
RECOMMENDED CARD WIDTH: 42.8 ± 0.1
- ハウジング色:
HOUSING COLOR:
53856-5010: 白 (WHITE)
53856-5010: 黒 (BLACK)

- 寸 1,13,38,50
THIS DIMENSION APPLIES TO CIRCUIT NUMBERS 1,13,38 AND 50.
- 25,26
THIS DIMENSION APPLIES TO CIRCUIT NUMBERS 25 AND 26.
- ピンの倒れは、ピン根元を基準に全方向へ0.1 MAX.とする。
PIN TIP LEAN TOWARD ANY DIRECTION NOT TO EXCEED 0.1 WHEN MEASURED FROM PIN BASE.
- ピン根元に適用する。
THIS DIMENSION TO BE MEASURED AT PIN BASE.

ソルダータールは、Z面を基準とし上へ0.05下へ0.2の範囲にあり、目付ソルダータールの平坦度は、0.15 MAX.とし、テール先端にて測定する。
SOLDERTAILS TO BE WITHIN 0.05 UPWARD AND 0.2 DOWNWARD FROM Z-DATUM PLACE, AND COPLANARITY OF SOLDERTAILS TO BE WITHIN 0.15. MEASUREMENT POINT IS SOLDERTAILS TIP.

- 公差非累積
NON-CUMULATIVE
13. 本製品は 53856-501* の鉛フリー品である。
THIS PRODUCT IS LEAD FREE OF 53856-501*.



基板推奨寸法
RECOMMENDED P.C.B. LAYOUT

REVISED EC NO: J2017-0575 DRAWINGS 2017/05/19 CHKD: APPR:MSASAO 2017/06/29	GENERAL TOLERANCES (UNLESS SPECIFIED)		DIMENSION STYLE MM ONLY		SCALE ---	DESIGN UNITS METRIC	THIRD ANGLE PROJECTION
	0.25 UNDER	±0.03	DRAWN BY M. NABEI	DATE '04/03/16	TITLE CF CARD CONN. HEADER ASS'Y -LEAD FREE-		
	0.25 OVER 0.5 UNDER	±0.05	CHECKED BY K. TOJO	DATE '04/03/16	DOCUMENT NO. molex SD-53856-007		
	0.5 OVER 1.0 UNDER	±0.1	APPROVED BY M. SASAO	DATE '04/03/16			
1.0 OVER 10 UNDER	±0.2	MATERIAL NO.		SEE SHEET1			
10 OVER 30 UNDER	±0.25	DRAFT WHERE APPLICABLE MUST REMAIN WITHIN DIMENSIONS		THIS DRAWING CONTAINS INFORMATION THAT IS PROPRIETARY TO MOLEX ELECTRONIC TECHNOLOGIES, LLC AND SHOULD NOT BE USED WITHOUT WRITTEN PERMISSION			
30 OVER	±0.3	SIZE A3					
ANGULAR	±3 °						

注) NOTES

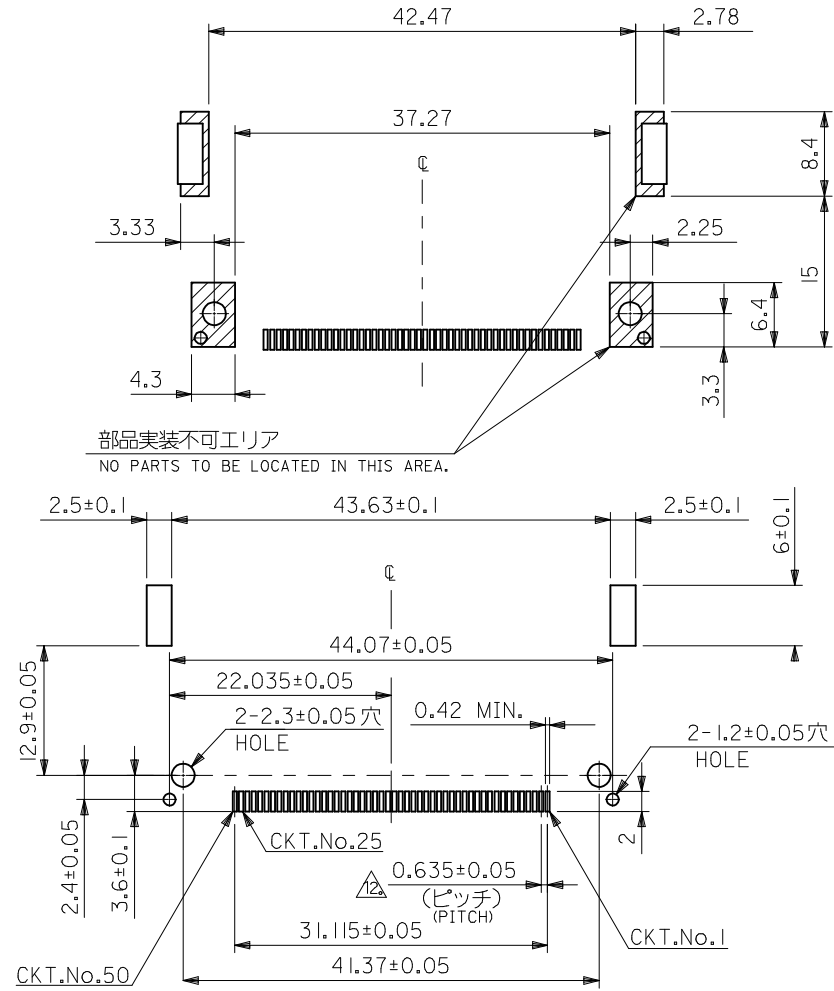
- 材質
MATERIAL
ハウジング: ガラス入りLCP UL94V-0
HOUSING: LCP G.F. UL94V-0
ピン: リン青銅
PIN: PHOSPHOR BRONZE
ネール: リン青銅
NAIL: PHOSPHOR BRONZE
- メッキ仕様
PLATING
PIN 接点部: ニッケル下地, パラジウムニッケル, 金メッキ
CONTACT AREA: PALLADIUM-NICKEL, GOLD OVER NICKEL
半田付け部: 錫メッキ
SOLDER TAIL AREA: TIN
下地メッキ: ニッケルメッキ
UNDERPLATING: NICKEL OVER ALL
NAIL 錫メッキ
TIN
下地メッキ: ニッケルメッキ
UNDERPLATING: NICKEL OVER ALL

- 推奨基板厚: $t \geq 0.8$ MIN.
RECOMMENDED P.C.B. THICKNESS: $t \geq 0.8$ MIN.
- 適合カード厚
RECOMMENDED CARD THICKNESS
接続部: 3.3 ± 0.1
CONNECTING AREA: 3.3 ± 0.1
- 適合カード幅: 42.8 ± 0.1
RECOMMENDED CARD WIDTH: 42.8 ± 0.1
- ハウジング色:
HOUSING COLOR:
53856-5010: 白 (WHITE)
53856-5010: 黒 (BLACK)

- △寸 1,13,38,50
THIS DIMENSION APPLIES TO CIRCUIT NUMBERS 1,13,38 AND 50.
- △ 25,26
THIS DIMENSION APPLIES TO CIRCUIT NUMBERS 25 AND 26.
- △ ピンの倒れは、ピン根元を基準に全方向へ0.1 MAX.とする。
PIN TIP LEAN TOWARD ANY DIRECTION NOT TO EXCEED 0.1 WHEN MEASURED FROM PIN BASE.
- △ ピン根元に適用する。
THIS DIMENSION TO BE MEASURED AT PIN BASE.

△ ソルダータールは、Z面を基準とし上へ0.05下へ0.2の範囲にあり、目付ソルダータールの平坦度は、0.15 MAX.とし、テール先端にて測定する。
SOLDERTAILS TO BE WITHIN 0.05 UPWARD AND 0.2 DOWNWARD FROM Z-DATUM PLACE, AND COPLANARITY OF SOLDERTAILS TO BE WITHIN 0.15. MEASUREMENT POINT IS SOLDERTAILS TIP.

- △ 公差非累積
NON-CUMULATIVE
- 本製品は 53856-501* の鉛フリー品である。
THIS PRODUCT IS LEAD FREE OF 53856-501*.



基板推奨寸法
RECOMMENDED P.C.B. LAYOUT

REVISED EC NO: J2017-0575 DRWNGES 2017/05/19 CHKD: APPR:MSASAO 2017/06/29	GENERAL TOLERANCES (UNLESS SPECIFIED)		DIMENSION STYLE MM ONLY		SCALE ---	DESIGN UNITS METRIC	THIRD ANGLE PROJECTION
	0.25 UNDER	±0.03	DRAWN BY M.NABEI	DATE '04/03/16	TITLE CF CARD CONN. HEADER ASS'Y -LEAD FREE-		
	0.25 OVER 0.5 UNDER	±0.05	CHECKED BY K.TOJO	DATE '04/03/16	DOCUMENT NO. SD-53856-007		
	0.5 OVER 1.0 UNDER	±0.1	APPROVED BY M.SASAO	DATE '04/03/16			
1.0 OVER 10 UNDER	±0.2	MATERIAL NO.		SHEET NO. 2 OF 2			
10 OVER 30 UNDER	±0.25	SEE SHEET1		THIS DRAWING CONTAINS INFORMATION THAT IS PROPRIETARY TO MOLEX ELECTRONIC TECHNOLOGIES, LLC AND SHOULD NOT BE USED WITHOUT WRITTEN PERMISSION			
30 OVER	±0.3	DRAFT WHERE APPLICABLE MUST REMAIN WITHIN DIMENSIONS					
ANGULAR	±3 °	SIZE A3					