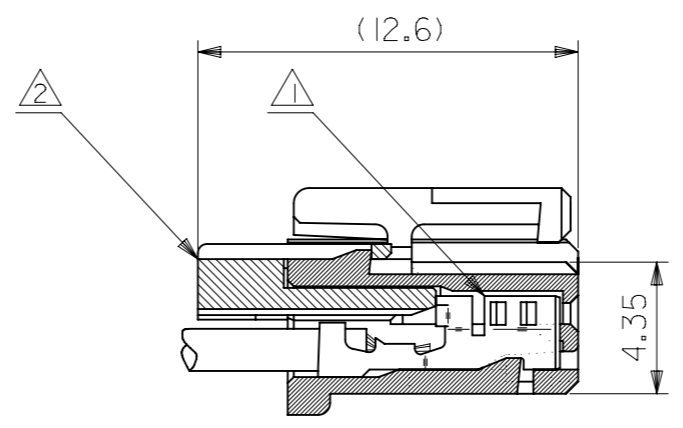
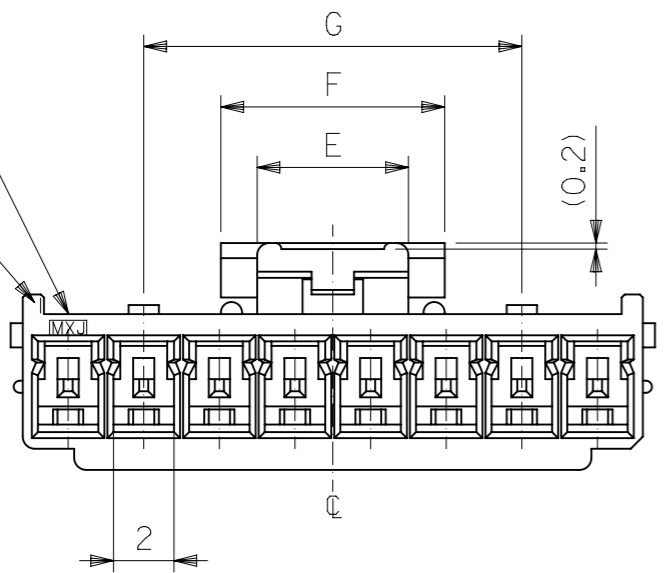


トレードマーク
TRADE MARK

回路番号 1
CIRCUIT NO.1

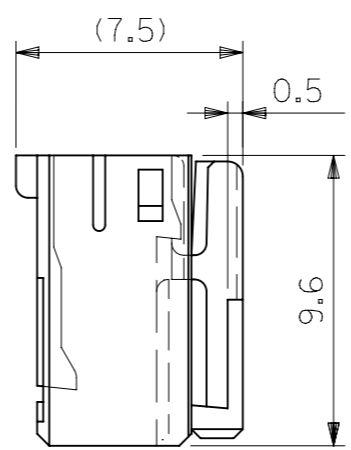
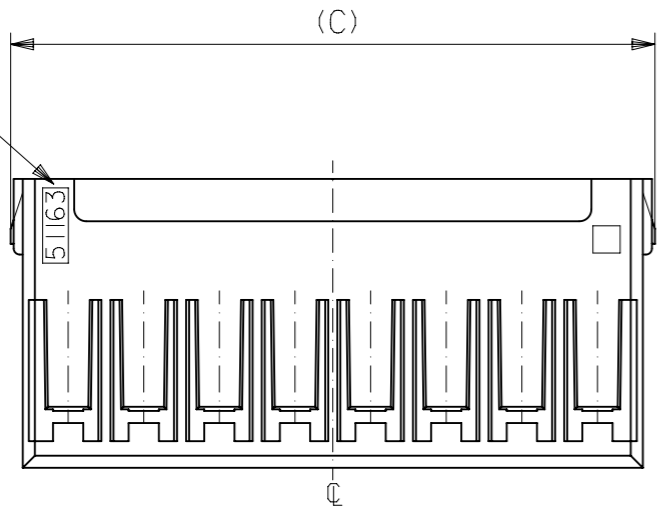


ターミナル及びリテーナー装着状態図
TERMINAL AND RETAINER ASSEMBLY DRAWING

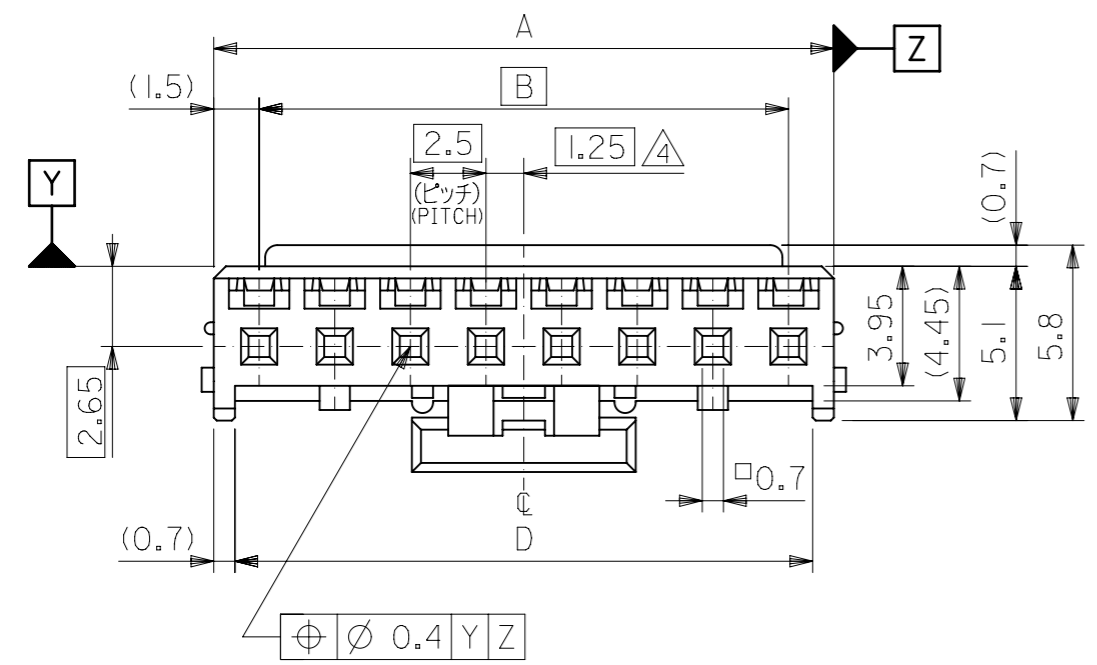
注記 NOTES

- △1 適合ターミナル : 50752-8*00
APPLICABLE TERMINAL : 50752-8*00
- △2 適合リテーナー : 51164-**05
APPLICABLE RETAINER : 51164-**05
- 3. 嵌合相手 : 53375,53376,53388,53389,53426 シリーズ
MATE WITH : 53375,53376,53388,53389,53426 SERIES
- △4 偶数極の製品に適用。
APPLY EVEN CIRCUIT PRODUCTS.

製品番号
ENG. NO.



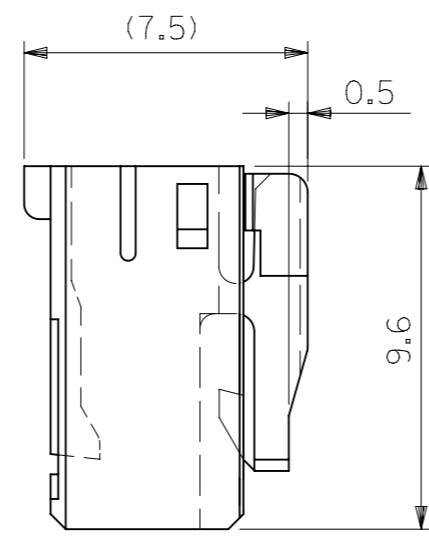
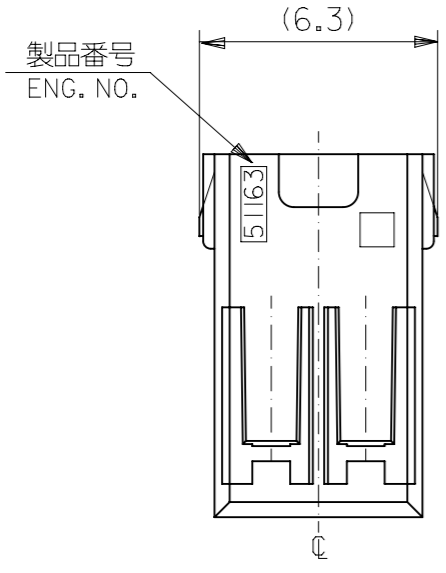
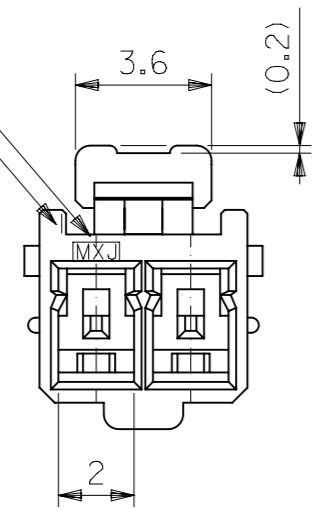
3-15 極に適用
FOR 3-15 CKTS.



| | | | | | | | 白 NATURAL | COLOR |
|------|-----|---|------|------|------|------|--------------|------------|
| 12.5 | 7.4 | 5 | 36.6 | 38.8 | 35 | 38 | 51163 - 1500 | 15 |
| 12.5 | ↑ | ↑ | 34.1 | 36.3 | 32.5 | 35.5 | ↑ - 1400 | 14 |
| 12.5 | | | 31.6 | 33.8 | 30 | 33 | ↑ - 1300 | 13 |
| 12.5 | | | 29.1 | 31.3 | 27.5 | 30.5 | ↑ - 1200 | 12 |
| 12.5 | | | 26.6 | 28.8 | 25 | 28 | ↑ - 1100 | 11 |
| 12.5 | | | 24.1 | 26.3 | 22.5 | 25.5 | ↑ - 1000 | 10 |
| 12.5 | | | 21.6 | 23.8 | 20 | 23 | ↑ - 0900 | 9 |
| 12.5 | | | 19.1 | 21.3 | 17.5 | 20.5 | ↑ - 0800 | 8 |
| | | | 16.6 | 18.8 | 15 | 18 | ↑ - 0700 | 7 |
| | | | 14.1 | 16.3 | 12.5 | 15.5 | ↑ - 0600 | 6 |
| | | | 11.6 | 13.8 | 10 | 13 | ↑ - 0500 | 5 |
| | 7.4 | 5 | 9.1 | 11.3 | 7.5 | 10.5 | ↑ - 0400 | 4 |
| | 5 | 3 | 6.6 | 8.8 | 5 | 8 | 51163 - 0300 | 3 |
| G | F | E | D | (C) | B | A | MATERIAL NO. | NO. OF CKT |

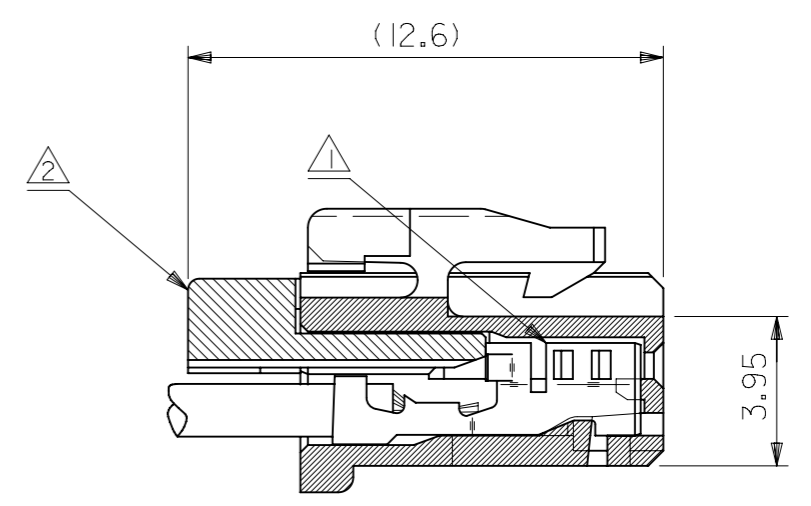
| | | | | | |
|---|--|---|--|---|--|
| GENERAL TOLERANCES (UNLESS SPECIFIED) 10 UNDER ±0.2 10 OVER 30 UNDER ±0.25 30 OVER ±0.3 | | THIS DRAWING CONTAINS INFORMATION THAT IS PROPRIETARY TO MOLEX ELECTRONIC TECHNOLOGIES, LLC AND SHOULD NOT BE USED WITHOUT WRITTEN PERMISSION DIMENSION UNITS: mm SCALE: 4:1 CURRENT REV DESC: OBSOLETE PART NO | | 2.5 WIRE TO BORAD CONN. HOUSING (POSITIVE LOCK) WITH RETAINER | |
| ANGULAR ±3° DRAFT WHERE APPLICABLE MUST REMAIN WITHIN DIMENSIONS | | EC NO: 629832 DRWN: VLOKESHA 2019/12/17 CHK'D: GGA 2020/01/22 APPR: GGA 2020/01/22 | | | |
| MATERIAL PBTP, UL94V-0 SEE CHART | | INITIAL REVISION: DRWN: J.SASAMO 2004/08/31 APPR: N.UKITA 2004/08/31 | | PRODUCT CUSTOMER DRAWING DOCUMENT NUMBER: SD-51163-001 DOC TYPE: PSD DOC PART: 001 REVISION: A1 | |
| DOCUMENT STATUS: P1 RELEASE DATE: 2020/01/22 02:36:55 | | THIRD ANGLE PROJECTION DRAWING: A3-SIZE SERIES: 51163 | | MATERIAL NUMBER: SEE TABLE CUSTOMER: GENERAL MARKET SHEET NUMBER: 1 OF 2 | |

トレードマーク
TRADE MARK
回路番号 1
CIRCUIT NO.1

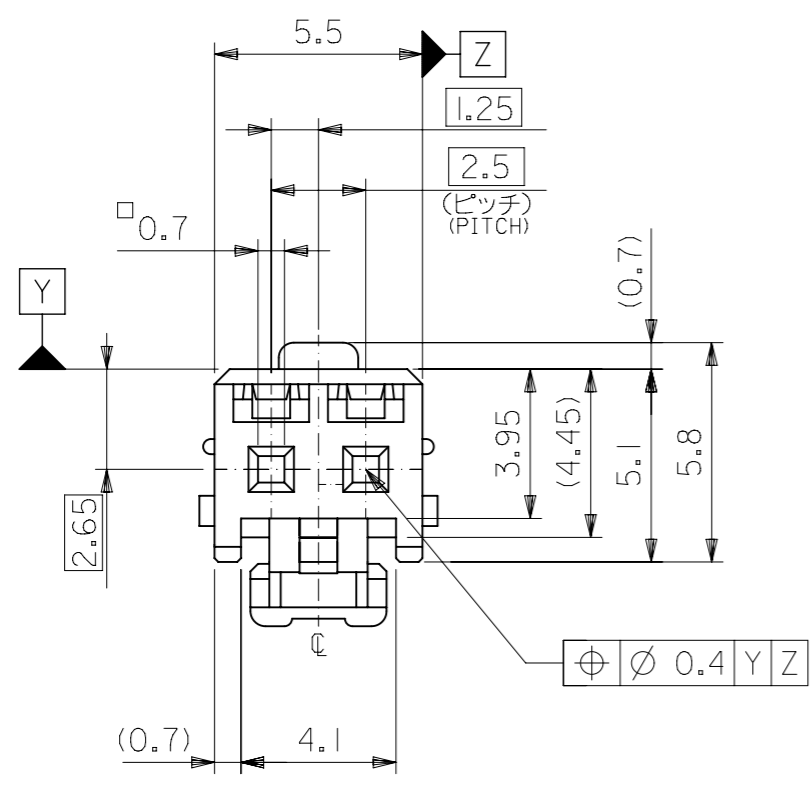


注記 NOTES

- ① 適合ターミナル : 50752-8*00
APPLICABLE TERMINAL : 50752-8*00
- ② 適合リテーナー : 51164-***05
APPLICABLE RETAINER : 51164-***05
- 3. 嵌合相手 : 53375,53426 シリーズ
MATE WITH : 53375,53426 SERIES



ターミナル及びリテーナー装着状態図
TERMINAL AND RETAINER ASSEMBLY DRAWING



2極に適用
FOR 2 CKTS.

| | | |
|--------------------|--------------|-------------|
| 白 NATURAL | 51163-0200 | 2 |
| COLOR MATERIAL NO. | MATERIAL NO. | NO. OF CKT. |

| | | | |
|--|-------|---|--------|
| GENERAL TOLERANCES (UNLESS SPECIFIED) | | THIS DRAWING CONTAINS INFORMATION THAT IS PROPRIETARY TO MOLEX ELECTRONIC TECHNOLOGIES, LLC AND SHOULD NOT BE USED WITHOUT WRITTEN PERMISSION | |
| 10 UNDER | ±0.2 | DIMENSION UNITS | SCALE |
| 10 OVER 30 UNDER | ±0.25 | mm | 5:1 |
| 30 OVER | ±0.3 | GENERAL TOLERANCES (UNLESS SPECIFIED) | |
| ANGULAR ±3° | | 4 PLACES | ± 0.2 |
| DRAFT WHERE APPLICABLE MUST REMAIN WITHIN DIMENSIONS | | 3 PLACES | ± 0.25 |
| MATERIAL PBTP, UL94V-0 SEE CHART | | 2 PLACES | ± 0.3 |
| | | 1 PLACE | ± |
| | | 0 PLACES | ± |
| | | ANGULAR TOL | ± 3.0° |
| | | DRAFT WHERE APPLICABLE MUST REMAIN WITHIN DIMENSIONS | |
| | | THIRD ANGLE PROJECTION | |
| | | DRAWING | |
| | | SERIES | |
| | | MATERIAL NUMBER | |
| | | CUSTOMER | |
| | | SHEET NUMBER | |

molex

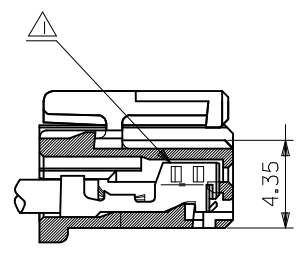
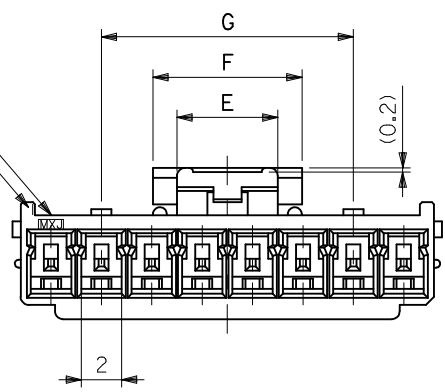
2.5 WIRE TO BORAD CONN. HOUSING (POSITIVE LOCK) WITH RETAINER

PRODUCT CUSTOMER DRAWING

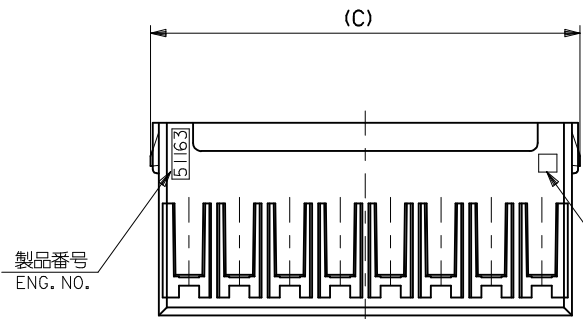
DOCUMENT NUMBER SD-51163-001 DOC TYPE PSD DOC PART 001 REVISION A1

SEE TABLE GENERAL MARKET 2 OF 2

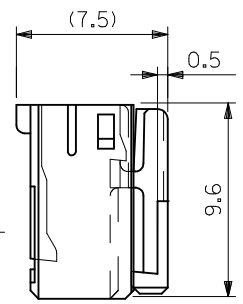
△
トレードマーク
TRADE MARK
回路番号 1
CIRCUIT NO.1



ターミナル装着状態図
TERMINAL ASSEMBLY DRAWING

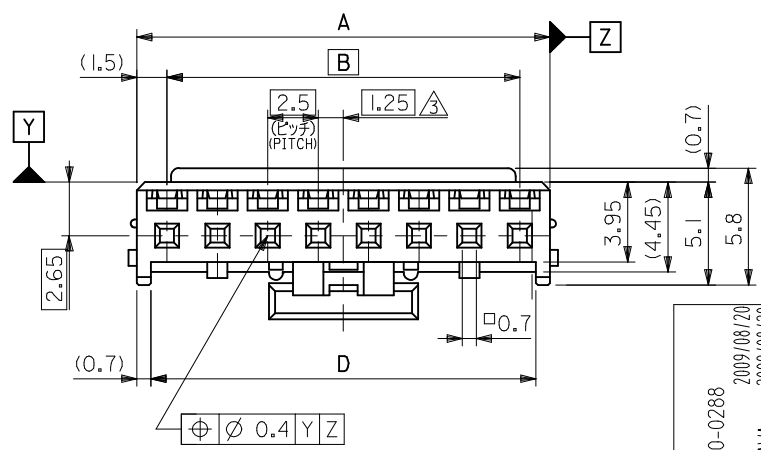


△
キャビティー番号
及び金型番号
CAVITY NO.
AND MODEL NO.



製品番号
ENG. NO.

| | | | | | | | | |
|------|-----|---|------|------|------|------|--------------------------|-------------|
| 12.5 | 7.4 | 5 | 36.6 | 38.8 | 35 | 38 | 51163-158* | 15 |
| ↑ | ↑ | ↑ | 34.1 | 36.3 | 32.5 | 35.5 | ↑ -148* | 14 |
| | | | 31.6 | 33.8 | 30 | 33 | ↑ -138* | 13 |
| | | | 29.1 | 31.3 | 27.5 | 30.5 | ↑ -128* | 12 |
| | | | 26.6 | 28.8 | 25 | 28 | ↑ -118* | 11 |
| | | | 24.1 | 26.3 | 22.5 | 25.5 | ↑ -108* | 10 |
| ↓ | | | 21.6 | 23.8 | 20 | 23 | ↑ -098* | 9 |
| 12.5 | | | 19.1 | 21.3 | 17.5 | 20.5 | ↑ -088* | 8 |
| | | | 16.6 | 18.8 | 15 | 18 | ↑ -078* | 7 |
| | | | 14.1 | 16.3 | 12.5 | 15.5 | ↑ -068* | 6 |
| | | | 11.6 | 13.8 | 10 | 13 | ↑ -058* | 5 |
| | 7.4 | 5 | 9.1 | 11.3 | 7.5 | 10.5 | ↑ -048* | 4 |
| | 5 | 3 | 6.6 | 8.8 | 5 | 8 | ↑ 51163-038* | 3 |
| G | F | E | D | (C) | B | A | MATERIAL AND ORDER No. △ | CIRCUIT No. |



| | | | | | | | | |
|---|---------------------------------------|--|----------------------------|--------------------|---|------------------------|------------------------|-----------|
| REVISED EC NO: J2010-0288 DRWN: YG010 2009/08/20 CHKD: KASAKAWA 2009/08/20 APPR: NUKITA 2009/08/24 | GENERAL TOLERANCES (UNLESS SPECIFIED) | | DIMENSION STYLE MM ONLY | | SCALE 4:1 | DESIGN UNITS METRIC | THIRD ANGLE PROJECTION | |
| | 10 UNDER | ±0.2 | DRAWN BY K. HARADA | DATE 1997/10/2 | TITLE 2.5 W/B CONN HSG (POSITIVE LOCK) | | | |
| | 10 OVER 30 UNDER | ±0.25 | CHECKED BY T. ITO | DATE 1997/11/12 | APPROVED BY M. FUKUSHIMA 1997/11/12 | | | |
| | 30 OVER | ±0.3 | MATERIAL NO. | | MOLEX INCORPORATED | | DOCUMENT NO. | SHEET NO. |
| ANGULAR ±3 ° | | DRAFT WHERE APPLICABLE MUST REMAIN WITHIN DIMENSIONS | | ENTER PART | | SD-51163-**-00 | | 1 OF 2 |
| THIS DRAWING CONTAINS INFORMATION THAT IS PROPRIETARY TO MOLEX INCORPORATED AND SHOULD NOT BE USED WITHOUT WRITTEN PERMISSION | | | | | | | | |

注記 NOTES

- △1 適合ターミナル：5035I-8*00
APPLICABLE TERMINAL : 5035I-8*00
- 2. 嵌合相手：53375,53426 シリーズ
MATE WITH : 53375,53426 SERIES
- △3 偶数極の製品に適用。
APPLY EVEN CIRCUIT PRODUCTS.
- △4 トレードマーク：Mプラス 1 ~ 2 文字のアルファベットにて構成。(例 MXJ)
但し "J" は JAPAN を示す。
FORMED BY M AND 1 ~ 2 MORE LETTER OF ALPHABET (e.g. MXJ)
(TO TRADE MARK), BUT "J" SHOW JAPAN.
- △5 キャビティー番号：1桁~2桁の数字
金型番号：アルファベット1文字にて構成。(例, 1A, 10B)
FORMED BY 1 DIGIT TO 2 DIGIT NUMBERS (TO CAVITY
NO.) AND BY 1 LETTER OF ALPHABET (TO MOLD NO.).
(e.g. 1A, 10B)
- △6 MATERIAL AND ORDER No.
51163-**00
極数
CIRCUIT SIZE
- 7. 材料:PBT, UL 94V-0
- 8. 色:白 WHITE (NATURAL)



REVISED
EC NO:
DRWN:YGOTO
CHKD:KASAKAWA
APPR:
C

| | | | | | | |
|--------------------|--|-------|-----------------------------|--|--|-------------------------------|
| DESCRIPTION REV | GENERAL TOLERANCES (UNLESS SPECIFIED) | | DIMENSION STYLE MM ONLY | SCALE 4:1 | DESIGN UNITS METRIC | THIRD ANGLE PROJECTION |
| | 10 UNDER | ±0.2 | DRAWN BY K. HARADA | DATE 1997/10/2 | TITLE 2.5 W/B CONN HSG (POSITIVE LOCK) | |
| | 10 OVER 30 UNDER | ±0.25 | CHECKED BY T. ITO | DATE 1997/11/12 | MOLEX INCORPORATED | |
| | 30 OVER | ±0.3 | APPROVED BY M. FUKUSHIMA | DATE 1997/11/12 | MATERIAL NO. ENTER PART | DOCUMENT NO. SD-51163-**00 |
| | ANGULAR ±3 ° DRAFT WHERE APPLICABLE MUST REMAIN WITHIN DIMENSIONS | | SIZE A3 | THIS DRAWING CONTAINS INFORMATION THAT IS PROPRIETARY TO MOLEX INCORPORATED AND SHOULD NOT BE USED WITHOUT WRITTEN PERMISSION | | |