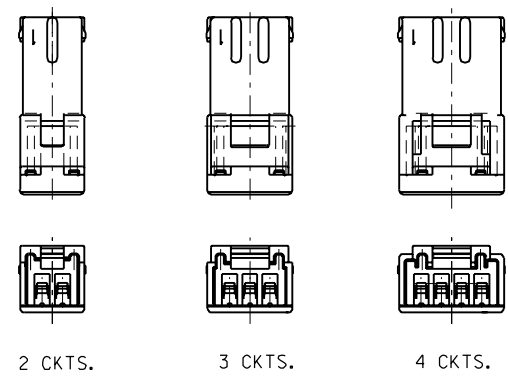
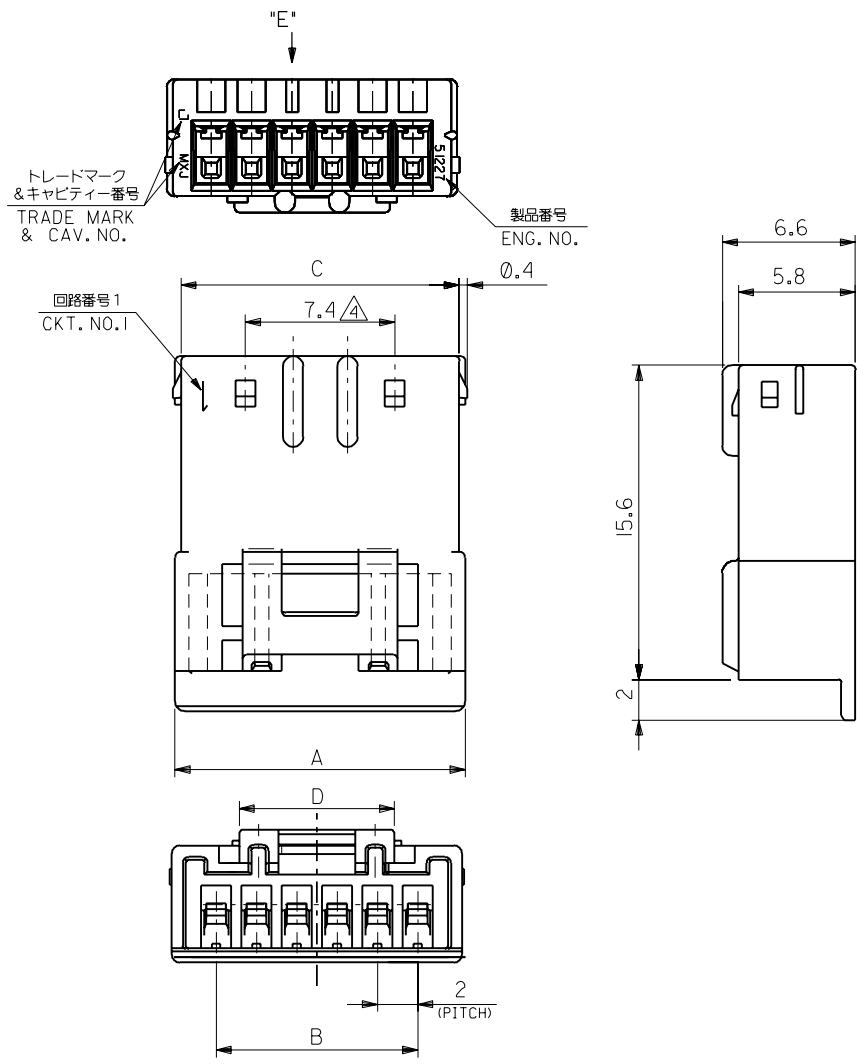
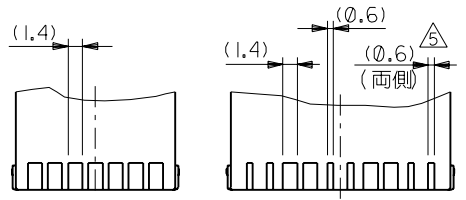


DO NOT SCALE DRAWING

DWG. NO. SD-51227-002

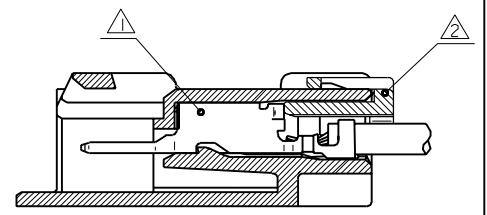


2, 3, 4種レイアウト図
LAYOUT OF 2, 3 & 4 CKTS.



注記
NOTES

- ① 適合ターミナル : 56086シリーズ
- ② 適合リテーナー : 51217シリーズ
APPLICABLE RETAINER : 51217 SERIES
- 3. 嵌合相手 : 51216シリーズ
MATE WITH : 51216 SERIES
- ④ 5~15極に適用。
APPLY 5-15 CIRCUITS.
- ⑤ 10, 12, 14極に適用。
APPLY 10,12,14 CIRCUITS.



ターミナル及びリテーナー装着状態図
TERMINAL & RETAINER ASSEMBLY DRAWING

	7.7	31.8	28	32.4	51227-1500	15
↑	29.8	26	30.4		-1400	14
	27.8	24	28.4		-1300	13
	25.8	22	26.4		-1200	12
	23.8	20	24.4		-1100	11
	21.8	18	22.4		-1000	10
	19.8	16	20.4		-0900	9
	17.8	14	18.4		-0800	8
	15.8	12	16.4		-0700	7
	13.8	10	14.4		-0600	6
↓	11.8	8	12.4		-0500	5
	9.8	6	10.4		-0400	4
	7.7	7.8	4	8.4	-0300	3
	6.4	5.8	2	6.4	51227-0200	2
	D	C	B	A	MATERIAL NO.	CKT.

EC NO. DRWN: CHK'g APPR:	EC NO. DRWN: CHK'g APPR:	EC NO. DRWN: CHK'g APPR:	EC NO. DRWN: CHK'g APPR:	RELEASED '01/06/21	MATERIAL 材料 PBTP, UL94V-0 [色:自然色] [COLOR: NATURAL]	GENERAL TOLERANCES: (UNLESS SPECIFIED) 一般公差	SCALE	DESIGN UNITS	MODEL NO.	DIMENSIONS:		SHT	REV
				0			10 UNDER 未満	±0.2	51227-**-00	mm	INCH		
FINISH 仕上げ	WIRE RANGE 適用電線範囲	INS. RANGE 被覆外径	0	DRWN: H.II CHK'g: T.YAMAGUCHI APPR: T.YAMAGUCHI	//	10 OVER 以上	30 UNDER 未満	±0.25	DRAWN BY & DATE H.II '01/06/21	THIRD ANGLE PROJECTION	mm ONLY	3	1
						ANGLE 角度	±3°	CAD FILENAME 51227002.S01	SEE CHART	SD-51227-002	EN-02J(097) MXJ-54	B	1 OF 1

THIS DRAWING CONTAINS INFORMATION THAT IS PROPRIETARY TO MOLEX INCORPORATED AND SHOULD NOT BE USED WITHOUT WRITTEN PERMISSION.

A
51227002.S01