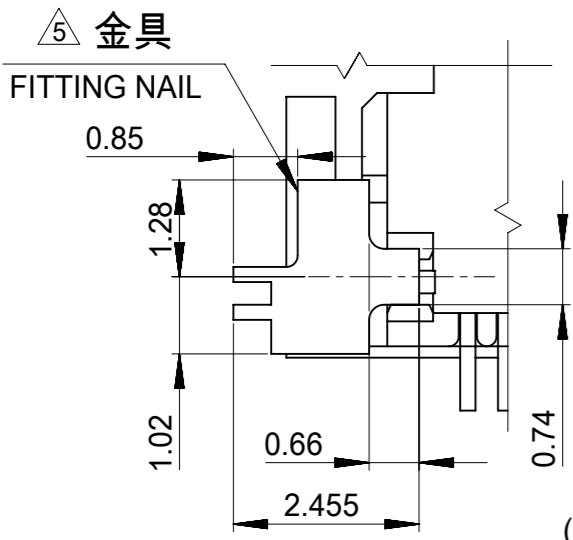
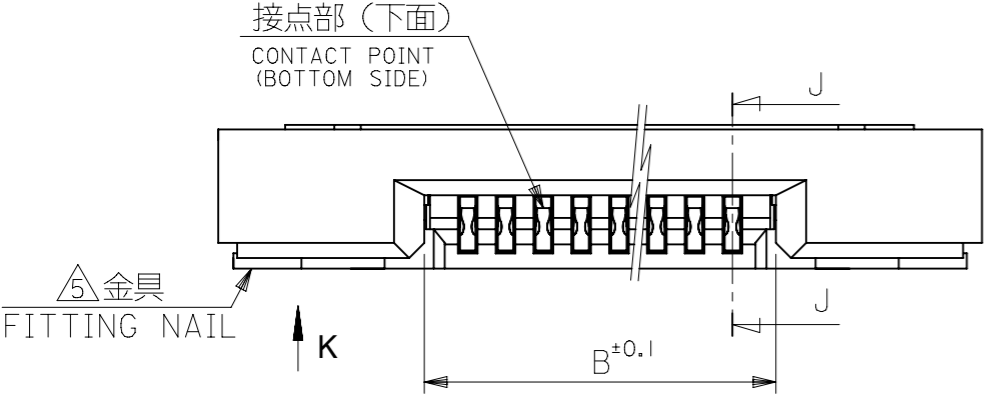
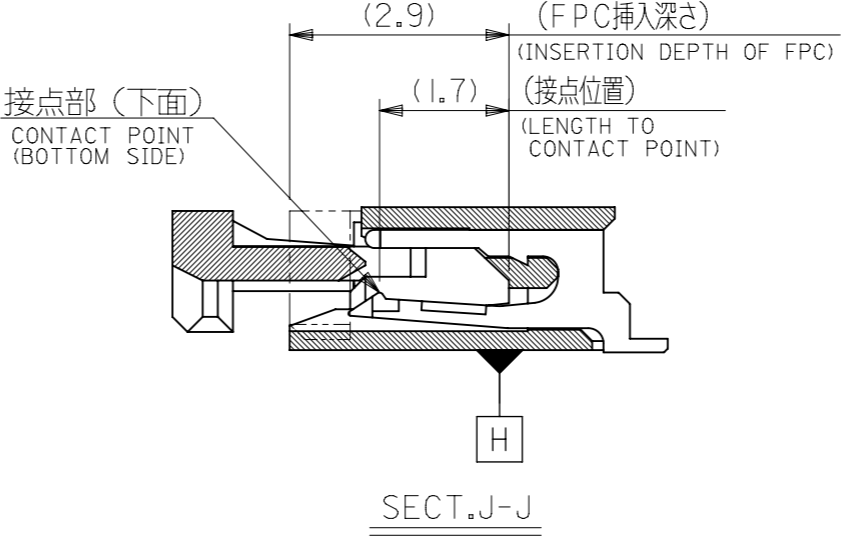
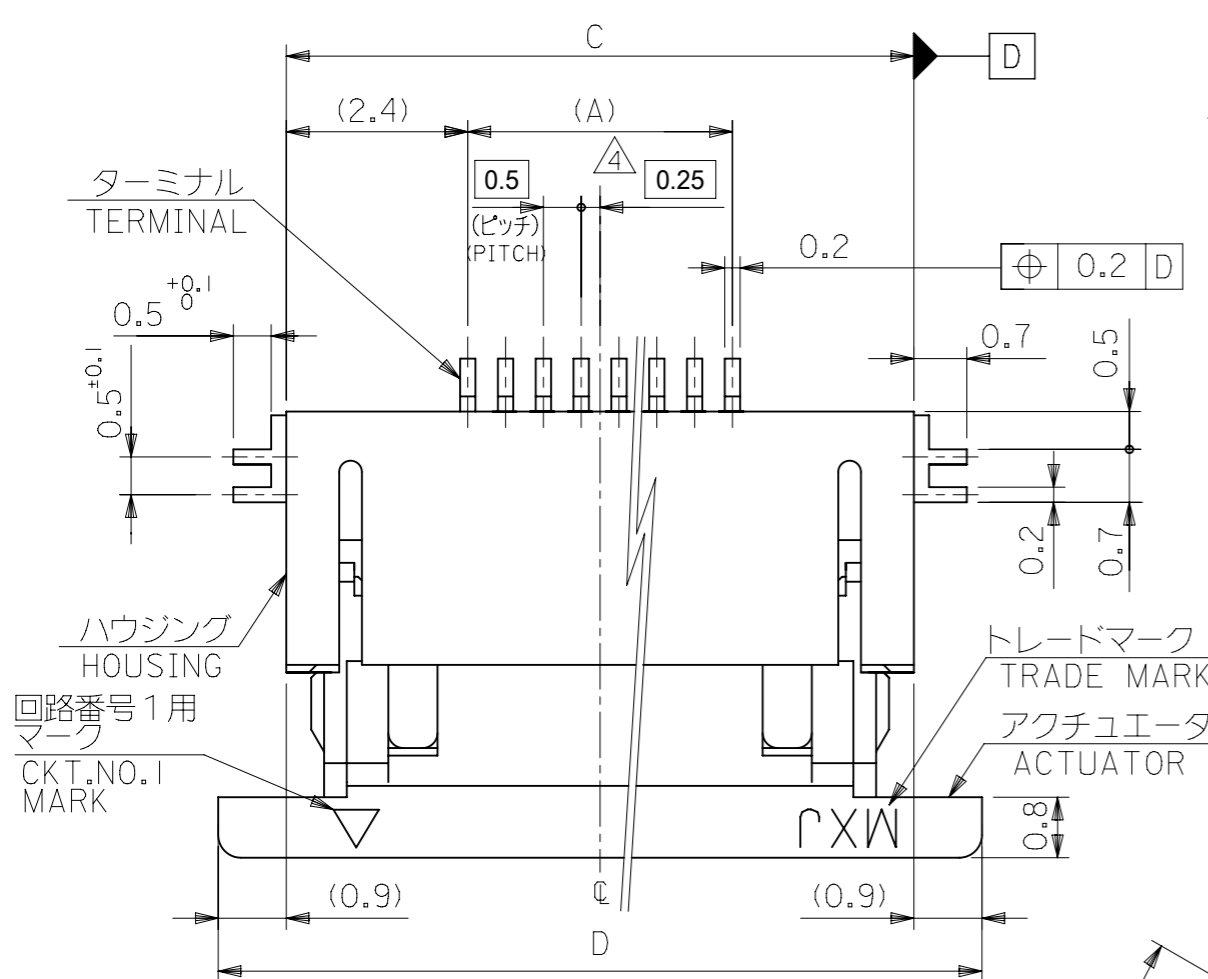
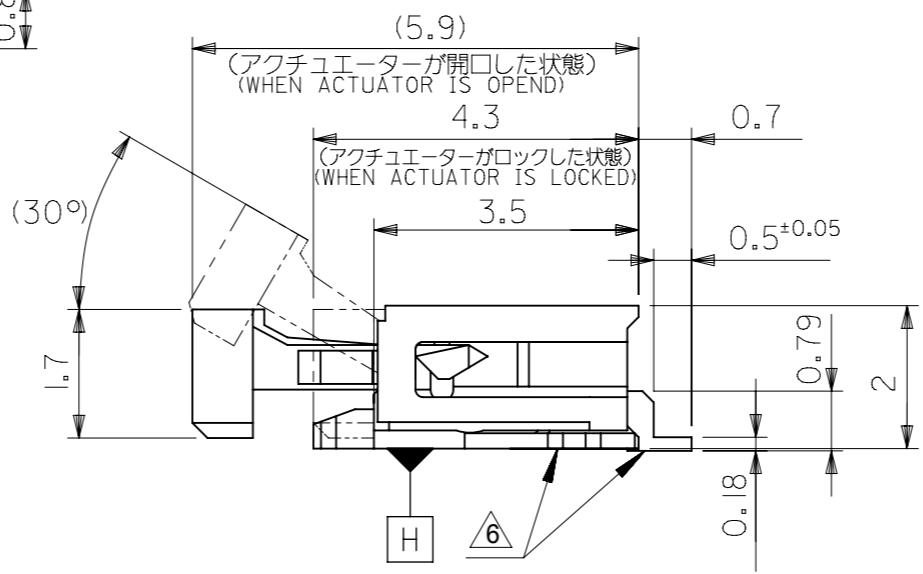


注記(NOTES)

- 材質 MATERIAL  
 ハウジング: ポリアミド (PA)、ガラス充填、白色、UL94V-0  
 HOUSING: POLYAMIDE, GLASS FILLED, WHITE, UL94V-0  
 アクチュエータ: ポリフェニレンサルファド (PPS)、ガラス充填、茶色、UL94V-0  
 ACTUATOR: POLYPHENYLENE SULFIDE, GLASS FILLED, BROWN, UL94V-0  
 ターミナル: リン青銅 (t=0.2)  
 TERMINAL: PHOSPHOR BRONZE (t=0.2)  
 金具: リン青銅 (t=0.2)  
 NAIL: PHOSPHOR BRONZE (t=0.2)
  - メッキ仕様 PLATING  
 ターミナル  
 TERMINAL  
 錫銀ヒスマメッキ(1.0μm以上)  
 TIN SILVER BISMUTH PLATING (1.0MICROMETER MINIMUM)  
 下地メッキ: ニッケルメッキ(1.0μm以上)  
 UNDER PLATING: NICKEL PLATING (1.0MICROMETER MINIMUM)
  - 金具  
 NAIL  
 錫メッキ(1.0μm以上)  
 TIN PLATING (1.0MICROMETER MINIMUM)  
 下地メッキ: ニッケルメッキ(1.0μm以上)  
 UNDER PLATING: NICKEL PLATING (1.0MICROMETER MINIMUM)
- △3 R0.3はFPCの導体部にかからないこと  
 R0.3 MUST NOT BE OVERLAPED TO PATTERN OF FPC.
- △4 偶数極に適用  
 APPLY FOR EVEN CIRCUIT.
- △5 パターン剥離止め金具  
 FITTING NAIL FOR PREVENTION OF PEELING OF P.W.B. PATTERN.
- △6 ソルダータール半田付け面のズレ量、及び金具半田付け面のズレ量は、基準面Hに対して上方向に0.1MAXIMUM、下方向0.15MAXIMUMとする。  
 MISALIGNMENT OF SOLDER TAILS AND FITTING NAILS FROM DATUM-H  
 UPPER DIRECTION: 0.1MAXIMUM  
 LOWER DIRECTION: 0.15MAXIMUM
- エンボステープ梱包時は、アクチュエータがロックした状態になります。  
 IN THE PACKAGE, ACTUATOR OF PART NO.52746-\*\*22 SHOULD BE LOCKED.
  - ELV及びRoHS適合品  
 ELV AND RoHS COMPLIANT



VIEW K  
(金具部投影図)  
(DETAIL OF FITTING NAIL)



16.1	14.3	10.65	9.5	52746-2033	20
15.6	13.8	10.15	9	52746-1933	19
15.1	13.3	9.65	8.5	52746-1833	18
14.6	12.8	9.15	8	52746-1733	17
14.1	12.3	8.65	7.5	52746-1633	16
13.6	11.8	8.15	7	52746-1533	15
13.1	11.3	7.65	6.5	52746-1433	14
12.6	10.8	7.15	6	52746-1333	13
12.1	10.3	6.65	5.5	52746-1233	12
11.6	9.8	6.15	5	52746-1133	11
11.1	9.3	5.65	4.5	52746-1033	10
10.6	8.8	5.15	4	52746-0933	9
10.1	8.3	4.65	3.5	52746-0833	8
9.6	7.8	4.15	3	52746-0733	7
9.1	7.3	3.65	2.5	52746-0633	6
8.1	6.3	2.65	1.5	52746-0433	4
D	C	B	(A)	EMBOSSED PACKAGE	極数
				ORDER No. オーダー番号	CKT.

CONNECTOR SERIES NO. : 52746-\*\*22

THIS DRAWING CONTAINS INFORMATION THAT IS PROPRIETARY TO MOLEX ELECTRONIC TECHNOLOGIES, LLC AND SHOULD NOT BE USED WITHOUT WRITTEN PERMISSION

DIMENSION UNITS: mm SCALE: 10:1

CURRENT REV DESC: REVISED

**molex**

0.5MM FPC CONN ZIF R/A  
HOUSING ASSY (BOTTOM CONTACT)

PRODUCT CUSTOMER DRAWING

EC NO: 600129  
 DRWN: YCHEN128 2018/04/10  
 CHK'D: KTAKAHASHI 2018/04/12  
 APPR: NUKITA 2018/04/13

INITIAL REVISION:  
 DRWN: KNAGUMO 2012/08/31  
 APPR: KMORIKAWA 2013/04/16

THIRD ANGLE PROJECTION

DRAWING: A3-SIZE SERIES: 52746

MATERIAL NUMBER: SD-52746-031 CUSTOMER: GENERAL MARKET SHEET NUMBER: 1 OF 2

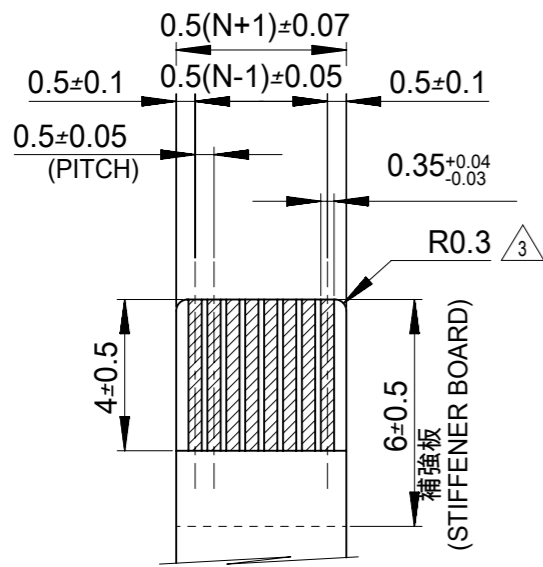
DOCUMENT NUMBER: SD-52746-031 DOC TYPE: PSD DOC PART: 001 REVISION: B

GENERAL TOLERANCES (UNLESS SPECIFIED)

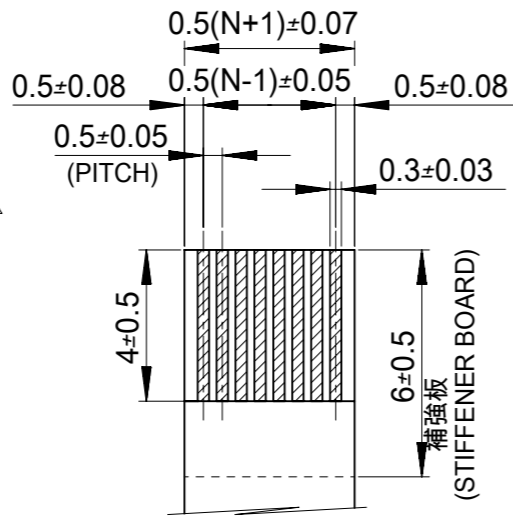
10 UNDER	± 0.2
10 OVER 30 UNDER	± 0.25
30 OVER	± 0.3

ANGULAR ± 3°

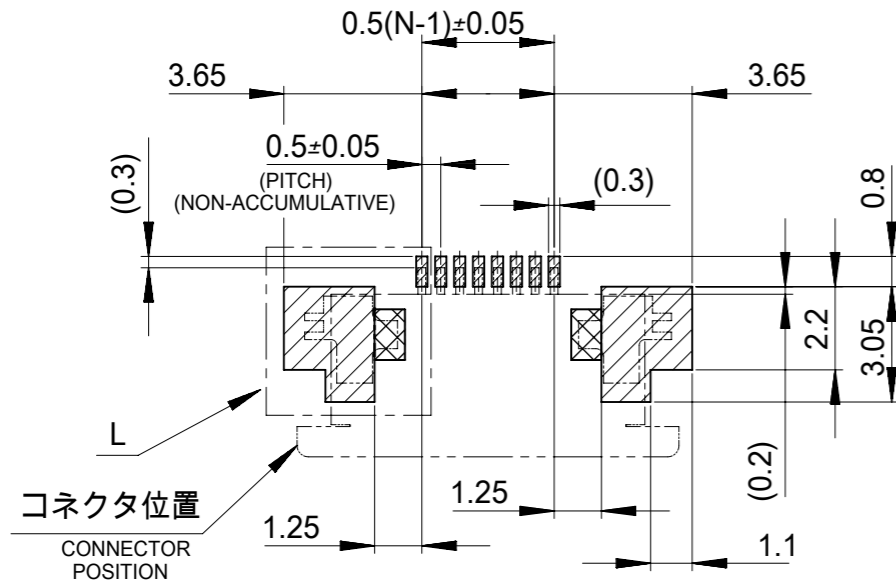
DRAFT WHERE APPLICABLE MUST REMAIN WITHIN DIMENSIONS



適合半田めっきFPC推奨寸法  
 APPLICABLE FPC OF TIN-LEAD  
 PLATING RECOMMENDED DIMENSION  
 仕上がり厚さ : 0.3±0.03  
 THICKNESS: 0.3+0.03/-0.03

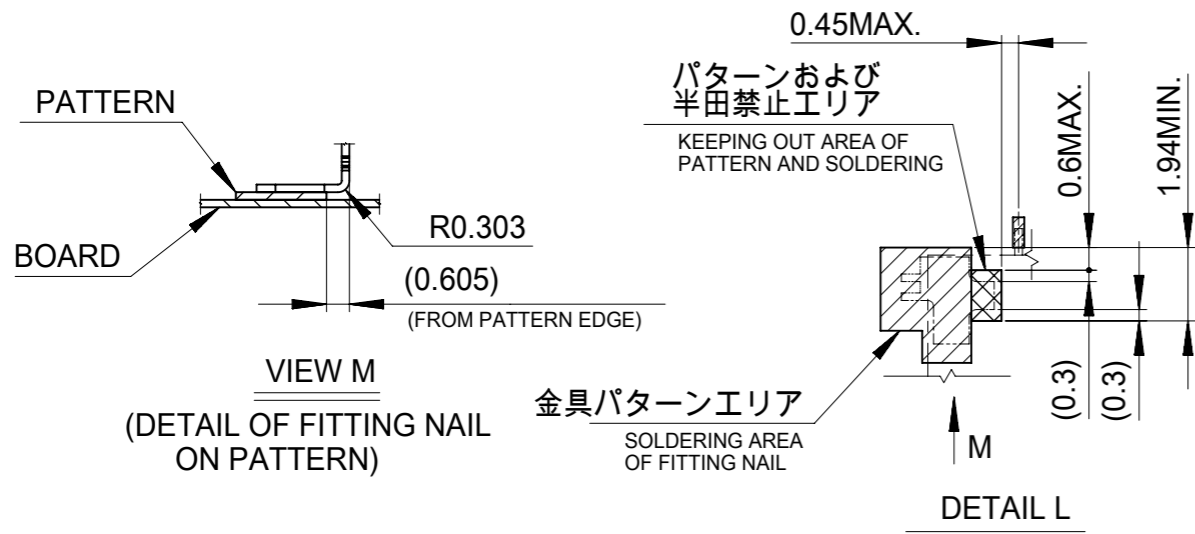


適合半田めっきFFC推奨寸法  
 APPLICABLE FFC OF TIN-LEAD  
 PLATING RECOMMENDED DIMENSION  
 仕上がり厚さ : 0.3±0.03  
 THICKNESS: 0.3+0.03/-0.03



推奨基板レイアウト  
 (マウント面)  
 RECOMMENDED P.C. BOARD  
 PATTERN DIMENSION(REF.)  
 (MOUNTING SIDE)

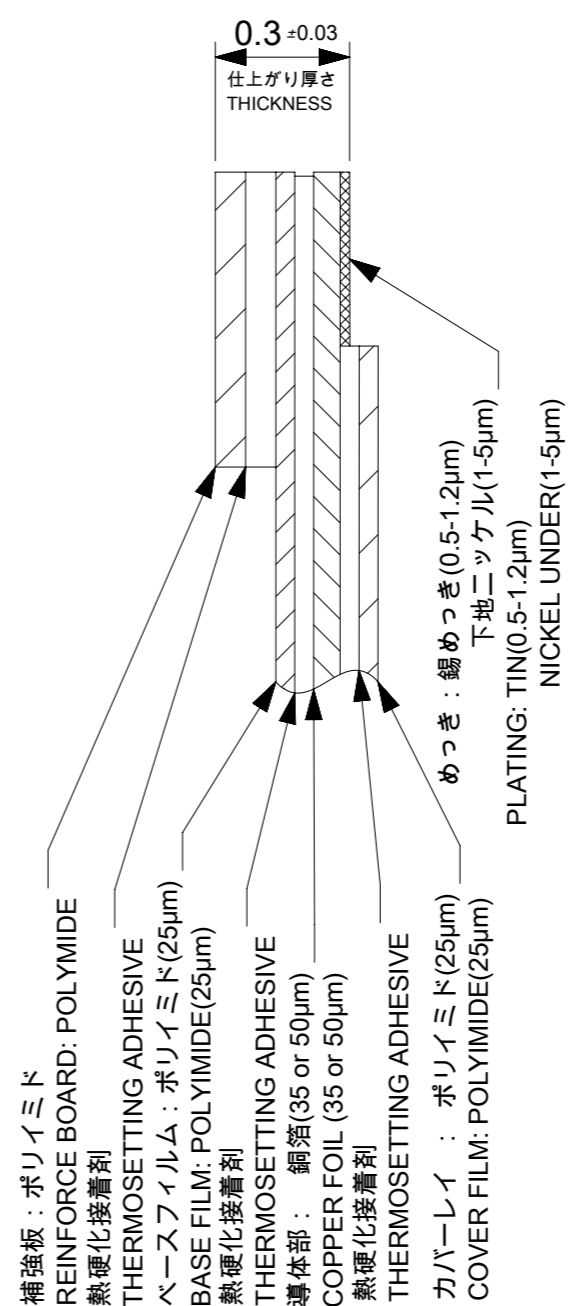
マスク厚 : 100μm  
 マスク開口率 : 100%  
 SCREEN THICKNESS : 100μm  
 SCREEN OPEN RATIO : 100%



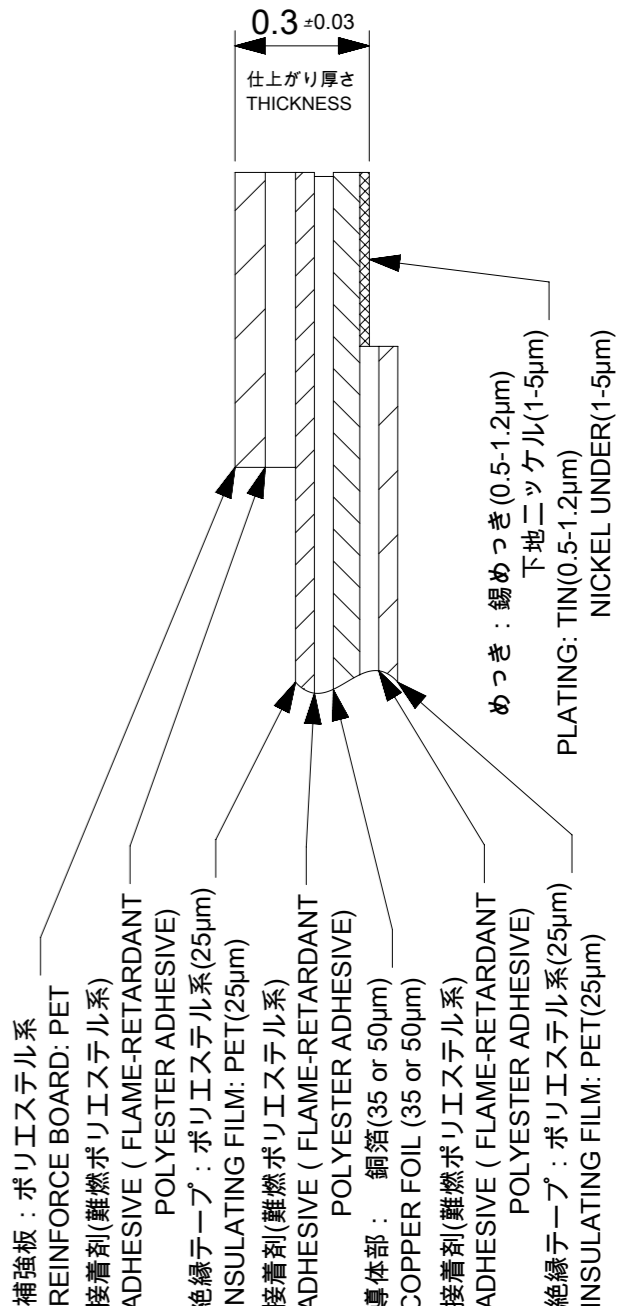
VIEW M  
 (DETAIL OF FITTING NAIL  
 ON PATTERN)

金具パターンエリア  
 SOLDERING AREA  
 OF FITTING NAIL

DETAIL L



FPC構成推奨仕様  
 RECOMMENDED STRUCTURE OF FPC



FFC構成推奨仕様  
 RECOMMENDED STRUCTURE OF FFC

FPC/FFCについて:  
 抜き方向は、導体側から補強板側を推奨致します。  
 尚、接着剤の接点部への付着は導通不良の原因になりますので、  
 梁み出しが無い様お願い致します。

ABOUT FPC/FFC:  
 RECOMMENDED PUNCHER DIRECTION:  
 FROM CONDUCTOR SIDE TO STIFFNER SIDE  
 PLEASE PUT APPROPRIATE AMOUNT OF ADHESIVE ON ADHEREND  
 BECAUSE THERE IS A POSSIBILITY THAT THE EXTRA ADHESIVE  
 CAUSES THE DEFECT IN ELECTRICAL CONTINUITY.

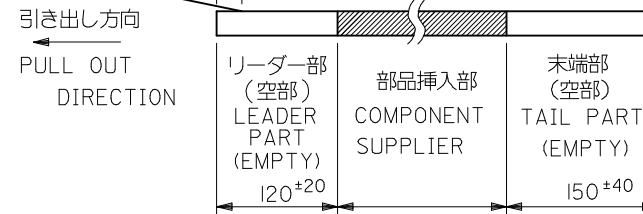
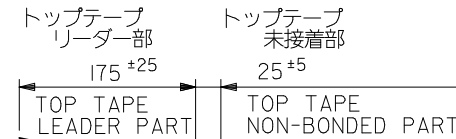
GENERAL TOLERANCES (UNLESS SPECIFIED)		DIMENSION UNITS		SCALE		CURRENT REV DESC: REVISED					
10 UNDER		±	---	mm	5:1						
10 OVER 30 UNDER		±	---	GENERAL TOLERANCES (UNLESS SPECIFIED)		EC NO: 600129		PRODUCT CUSTOMER DRAWING			
30 OVER		±	---	ANGULAR TOL ± 30°		DRWN: YCHEN128 2018/04/10		DOCUMENT NUMBER			
ANGULAR		±	---	4 PLACES ± 0.2		CHK'D: KTAKAHASHI 2018/04/12		DOC TYPE DOC PART REVISION			
DRAFT WHERE APPLICABLE MUST REMAIN WITHIN DIMENSIONS		±	---	3 PLACES ± 0.25		APPR: NUKITA 2018/04/13		SD-52746-031 PSD 001 B			
		±	---	2 PLACES ± 0.3		INITIAL REVISION:		MATERIAL NUMBER CUSTOMER SHEET NUMBER			
		±	---	1 PLACE ±		DRWN: KNAGUMO 2012/08/31		GENERAL MARKET 2 OF 2			
		±	---	0 PLACES ±		APPR: KMORIKAWA 2013/04/16					
		±	---	THIRD ANGLE PROJECTION		DRAWING SERIES					
		±	---	DRAFT WHERE APPLICABLE MUST REMAIN WITHIN DIMENSIONS		A3-SIZE 52746					

注記 NOTES

1. 製品番号52746-\*\*22の梱包状態はアクチュエータがロックした状態とする。  
 詳細寸法については図面SD-52746-031を参照下さい。  
 IN THE PACKAGE, ACTUATOR OF PART NO.52746-\*\*22 SHOULD BE LOCKED  
 DETAIL DIMENSIONS, SEE SD-52746-031

2. 梱包数量：1000個/リール  
 NUMBER OF CONNECTORS:1000PCS/REEL

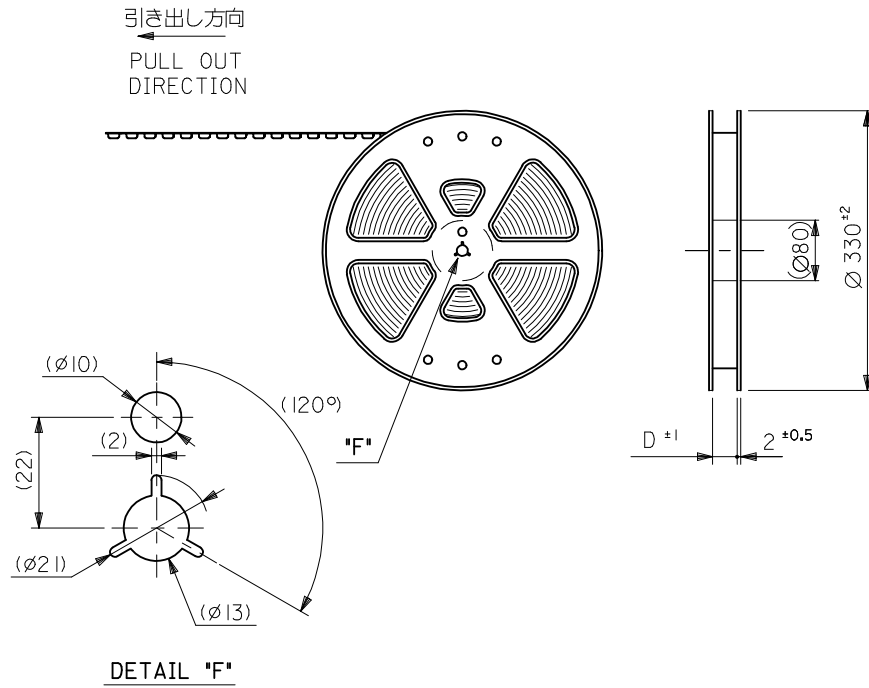
3. リードテープ長さ LEAD TAPE LENGTH



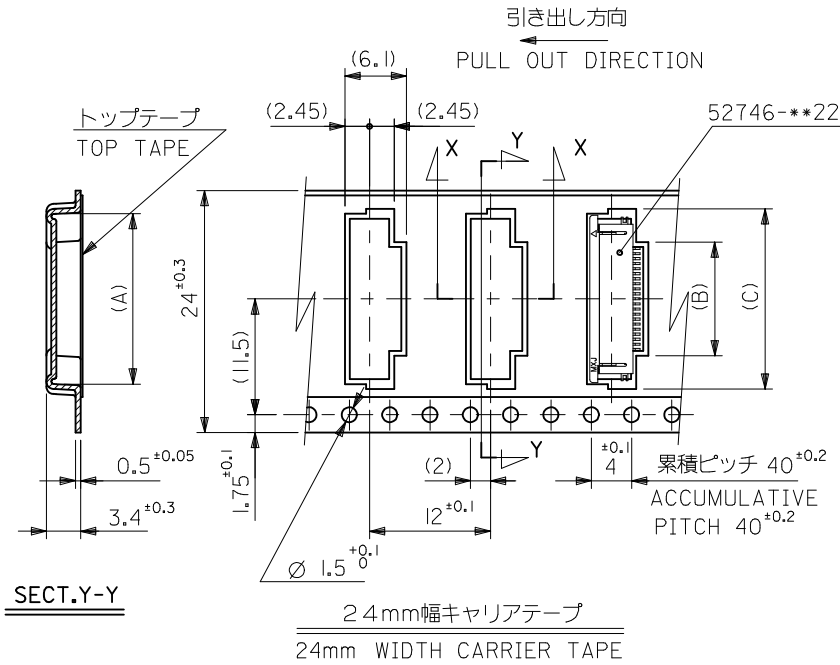
4. トップテープの剥離強度については、IEC60286-3に準拠  
 TOP TAPE PEEL FORCE IS DEFINED BY IEC60286-3.

5. 材料 キャリアテープ：ポリプロピレン (PP)  
 トップテープ：PET, PE, PEF  
 リール：ポリスチレン (PS) <リサイクル材を含む>  
 MATERIAL CARRIER TAPE:POLYPROPYLENE  
 TOP TAPE:PET,PE,PEF  
 REEL:POLYSTYREN(PS)  
 <RECYCLE MATERIAL CONTAINED>

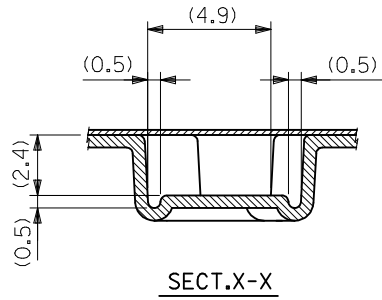
6. ELV及びRoHS適合品  
 ELV AND RoHS COMPLIANT



RELEASED EC NO: J2013-1133 DRWN:KNAGUMO 2012/09/05 CHKD:KAKAHASHI 2012/09/06 APP:KMORIKAWA 2013/04/16	DESCRIPTION REV: 0	GENERAL TOLERANCES (UNLESS SPECIFIED)		DIMENSION STYLE MM ONLY		SCALE ---	DESIGN UNITS METRIC	THIRD ANGLE PROJECTION		
		10 UNDER	± ---	DRAWN BY KNAGUMO	DATE 2012/09/05	TITLE EMBOSS TAPE PACKAGED FOR 0.5MM FPC CONN ZIF R/A HOUSING ASSY <b>molex</b>				
		10 OVER 30 UNDER	± ---	CHECKED BY KAKAHASHI	DATE 2012/09/06					
		30 OVER	± ---	APPROVED BY KMORIKAWA	DATE 2013/04/16					
ANGULAR ± --- °		DRAFT WHERE APPLICABLE MUST REMAIN WITHIN DIMENSIONS		MATERIAL NO. SEE CHART		DOCUMENT NO. SD-52746-032		SHEET NO. 1 OF 3		
SIZE A3 THIS DRAWING CONTAINS INFORMATION THAT IS PROPRIETARY TO MOLEX INCORPORATED AND SHOULD NOT BE USED WITHOUT WRITTEN PERMISSION										

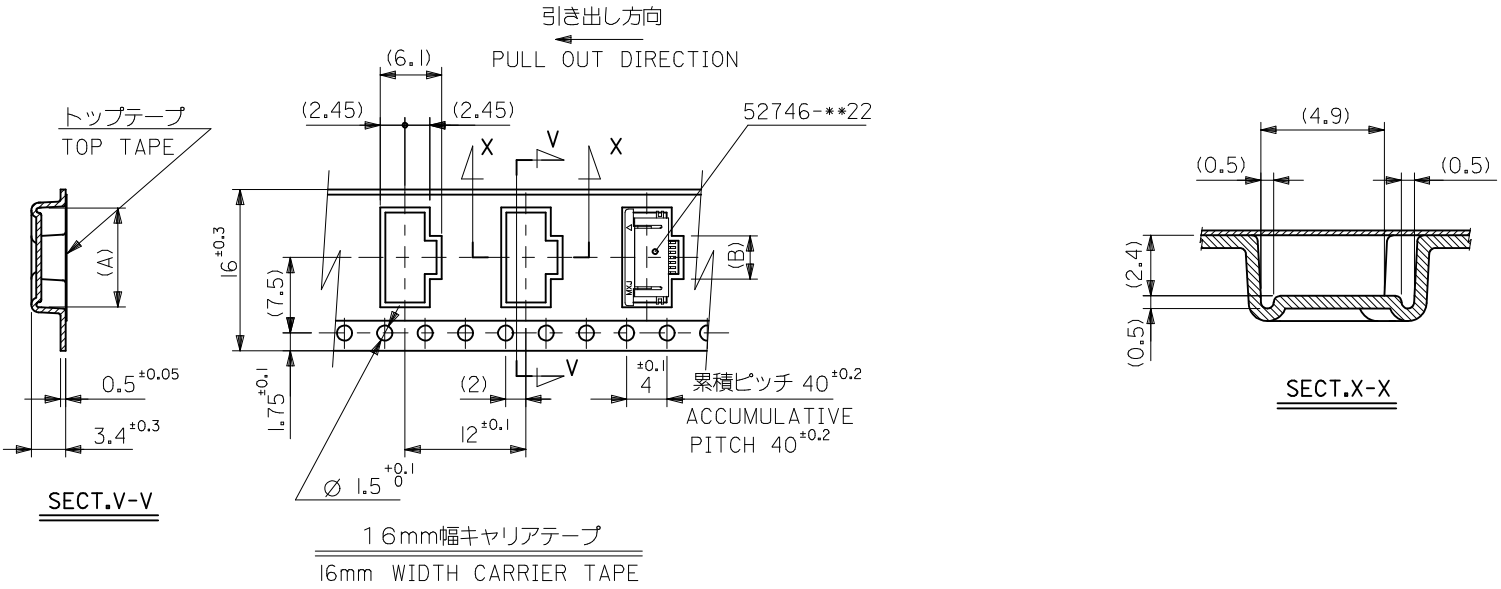


SECT.Y-Y



24	25.5	17.4	10.8	16.4	52746-2033	20
		16.9	10.3	15.9	-1933	19
		16.4	9.8	15.4	-1833	18
		15.9	9.3	14.9	-1733	17
		15.4	8.8	14.4	-1633	16
		14.9	8.3	13.9	-1533	15
		14.4	7.8	13.4	-1433	14
		13.9	7.3	12.9	-1333	13
		13.4	6.8	12.4	-1233	12
		12.9	6.3	11.9	-1133	11
		12.4	5.8	11.4	-1033	10
		11.9	5.3	10.9	-0933	9
11.4	4.8	10.4	-0833	8		
10.9	4.3	9.9	-0733	7		
10.4	3.8	9.4	52746-0633	6		
キャリアテープ幅 CARRIER TAPE WIDTH	D	(C)	(B)	(A)	MATERIAL NO.	極数 CIRCUIT

SEE SHEET 1 OF 3 EC NO.: J2013-1133 DRWN:KNAGUMO 2012/09/05 CHKD:KAKAHASHI 2012/09/06 APPR:KMORIKAWA 2013/04/16	GENERAL TOLERANCES (UNLESS SPECIFIED)	DIMENSION STYLE MM ONLY	SCALE ---	DESIGN UNITS METRIC	THIRD ANGLE PROJECTION
	10 UNDER ±---	DRAWN BY KNAGUMO	DATE 2012/09/05	TITLE EMBOSS TAPE PACKAGED FOR 0.5MM FPC CONN ZIF R/A HOUSING ASSY	
	10 OVER 30 UNDER ±---	CHECKED BY KAKAHASHI	DATE 2012/09/06		
	30 OVER ±---	APPROVED BY KMORIKAWA	DATE 2013/04/16		
	ANGULAR ±--- °	MATERIAL NO.	SEE CHART	DOCUMENT NO. SD-52746-032	SHEET NO. 2 OF 3
DRAFT WHERE APPLICABLE MUST REMAIN WITHIN DIMENSIONS	SIZE A3	THIS DRAWING CONTAINS INFORMATION THAT IS PROPRIETARY TO MOLEX INCORPORATED AND SHOULD NOT BE USED WITHOUT WRITTEN PERMISSION			



16	17.5	2.8	8.4	52746-0433	4
キャリアテープ幅 CARRIER TAPE WIDTH	D	(B)	(A)	MATERIAL NO.	極数 CIRCUIT

SEE SHEET 1 OF 3 EC NO.: J2013-1133 DRW:KNAGUMO 2012/09/05 CHKD:KTAKAHASHI 2012/09/06 APP:KMORIKAWA 2013/04/16	DESCRIPTION	GENERAL TOLERANCES (UNLESS SPECIFIED)		DIMENSION STYLE	SCALE	DESIGN UNITS	THIRD ANGLE PROJECTION	
		10 UNDER	± ---	MM ONLY	---	METRIC		
		10 OVER 30 UNDER	± ---	DRAWN BY	DATE	TITLE		
		30 OVER	± ---	KNAGUMO	2012/09/05	EMBOSS TAPE PACKAGED FOR 0.5MM FPC CONN ZIF R/A HOUSING ASSY		
		ANGULAR	± --- °	CHECKED BY	DATE	molex		
		DRAFT WHERE APPLICABLE MUST REMAIN WITHIN DIMENSIONS		KTAKAHASHI	2012/09/06	DOCUMENT NO.	SHEET NO.	
				APPROVED BY	DATE	SD-52746-032	3 OF 3	
				KMORIKAWA	2013/04/16	INCORPORATED AND SHOULD NOT BE USED WITHOUT WRITTEN PERMISSION		
				MATERIAL NO.	SEE CHART			
				SIZE	THIS DRAWING CONTAINS INFORMATION THAT IS PROPRIETARY TO MOLEX			
				A3	INCORPORATED AND SHOULD NOT BE USED WITHOUT WRITTEN PERMISSION			