



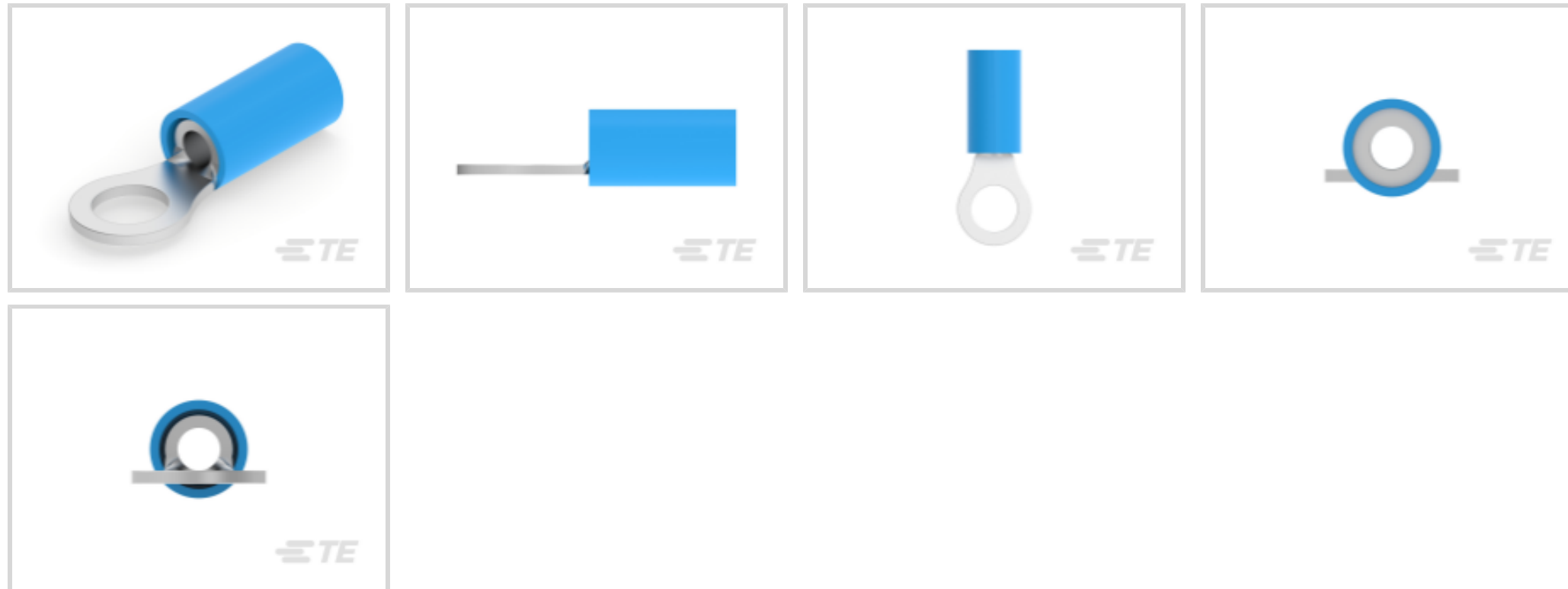
**PIDG**

TE Internal #: 53942-2

Ring Terminals & Spade Terminals, Ring Tongue, 16 AWG Wire Size, 1.25 – 2 mm<sup>2</sup> Wire Size, 2050 – 5180 CMA Wire Size, Stud Size #10

[View on TE.com >](#)

Terminals & Splices > Ring Terminals & Spade Terminals > PIDG RING TONGUE TERMINALS



Ring & Spade Terminal Type: **Ring Tongue**

Wire Size: **2050 – 5180 CMA**

Stud Size: **#10**

[All PIDG RING TONGUE TERMINALS \(421\)](#)

**Features**

**Product Type Features**

|  |                    |
|--|--------------------|
| Shape Description                      | RING-041           |
| Stud Size                              | #10                |
| Sealable                               | No                 |
| Wire Insulation Support Retention Type | Insulation Support |

**Configuration Features**

|                 |       |
|-----------------|-------|
| Number of Holes | 1     |
| Terminal Angle  | 180 ° |

**Electrical Characteristics**

|               |       |
|---------------|-------|
| Voltage (Max) | 300 V |
|---------------|-------|

**Body Features**

|                         |         |
|-------------------------|---------|
| Insulation Sleeve Color | Natural |
|-------------------------|---------|

**Contact Features**

|                            |             |
|----------------------------|-------------|
| Ring & Spade Terminal Type | Ring Tongue |
|----------------------------|-------------|



|             |        |
|-------------|--------|
| Barrel Type | Closed |
|-------------|--------|

|                      |        |
|----------------------|--------|
| Terminal Orientation | Offset |
|----------------------|--------|

|                           |     |
|---------------------------|-----|
| Terminal Plating Material | Tin |
|---------------------------|-----|

### Mechanical Attachment

|                         |      |
|-------------------------|------|
| Wire Insulation Support | With |
|-------------------------|------|

### Dimensions

|           |                 |
|-----------|-----------------|
| Wire Size | 2050 – 5180 CMA |
|-----------|-----------------|

|               |               |
|---------------|---------------|
| Stud Diameter | 5 mm[.197 in] |
|---------------|---------------|

|                  |                 |
|------------------|-----------------|
| Tongue Thickness | .78 mm[.031 in] |
|------------------|-----------------|

|                        |                   |
|------------------------|-------------------|
| Overall Product Length | 20.65 mm[.813 in] |
|------------------------|-------------------|

|  |                 |
|--|-----------------|
| Accepts Wire Insulation Diameter (Max) | 4.32 mm[.17 in] |
|--|-----------------|

|  |                               |
|--|-------------------------------|
| Accepts Wire Insulation Diameter Range | 2.92 – 4.31 mm[.115 – .17 in] |
|--|-------------------------------|

### Usage Conditions

|                   |                     |
|-------------------|---------------------|
| Insulation Option | Partially Insulated |
|-------------------|---------------------|

|                             |                |
|-----------------------------|----------------|
| Operating Temperature Range | 105 °C[221 °F] |
|-----------------------------|----------------|

### Operation/Application

|                                    |        |
|------------------------------------|--------|
| Compatible With Wire Base Material | Copper |
|------------------------------------|--------|

|                                       |     |
|---------------------------------------|-----|
| Compatible With Wire Plating Material | Tin |
|---------------------------------------|-----|

|            |    |
|------------|----|
| Heavy Duty | No |
|------------|----|

### Industry Standards

|                      |    |
|----------------------|----|
| Government Qualified | No |
|----------------------|----|

### Packaging Features

|                    |   |
|--------------------|---|
| Packaging Quantity | 1 |
|--------------------|---|

|                  |              |
|------------------|--------------|
| Packaging Method | Tape Mounted |
|------------------|--------------|

### Product Compliance

[For compliance documentation, visit the product page on TE.com>](#)

|                              |           |
|------------------------------|-----------|
| EU RoHS Directive 2011/65/EU | Compliant |
|------------------------------|-----------|

|                             |           |
|-----------------------------|-----------|
| EU ELV Directive 2000/53/EC | Compliant |
|-----------------------------|-----------|

|   |   |
|---|---|
| China RoHS 2 Directive MIIT Order No 32, 2016 | No Restricted Materials Above Threshold |
|---|---|

|  |  |
|--|--|
| EU REACH Regulation (EC) No. 1907/2006 | Current ECHA Candidate List: JUNE 2022 (224) |
|--|--|

Candidate List Declared Against: JUNE  
2022 (224)

Does not contain REACH SVHC

Halogen Content

Low Halogen - Br, Cl, F, I < 900 ppm per  
homogenous material. Also BFR/CFR/PVC  
Free

Solder Process Capability

Not applicable for solder process capability

## Product Compliance Disclaimer

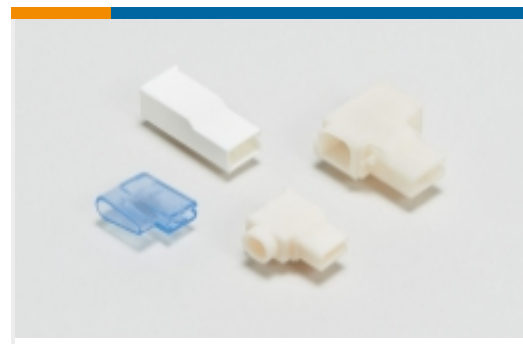
This information is provided based on reasonable inquiry of our suppliers and represents our current actual knowledge based on the information they provided. This information is subject to change. The part numbers that TE has identified as EU RoHS compliant have a maximum concentration of 0.1% by weight in homogenous materials for lead, hexavalent chromium, mercury, PBB, PBDE, DBP, BBP, DEHP, DIBP, and 0.01% for cadmium, or qualify for an exemption to these limits as defined in the Annexes of Directive 2011/65/EU (RoHS2). Finished electrical and electronic equipment products will be CE marked as required by Directive 2011/65/EU. Components may not be CE marked. Additionally, the part numbers that TE has identified as EU ELV compliant have a maximum concentration of 0.1% by weight in homogenous materials for lead, hexavalent chromium, and mercury, and 0.01% for cadmium, or qualify for an exemption to these limits as defined in the Annexes of Directive 2000/53/EC (ELV). Regarding the REACH Regulation, the information TE provides on SVHC in articles for this part number is based on the latest European Chemicals Agency (ECHA) 'Guidance on requirements for substances in articles' posted at this URL: <https://echa.europa.eu/guidance-documents/guidance-on-reach>

## Compatible Parts

Also in the Series | **PIDG**



Compression Connectors(17)



Crimp Terminal Housings(1)



Crimp Wire Pins, Tabs & Ferrules(41)



Knife Disconnects(11)



PCB Terminals(9)



Portable Crimp Tools(2)



Quick Disconnects(53)



Ring Terminals & Spade Terminals(861)



Special Purpose Terminals(1)



Splices(48)

## Customers Also Bought



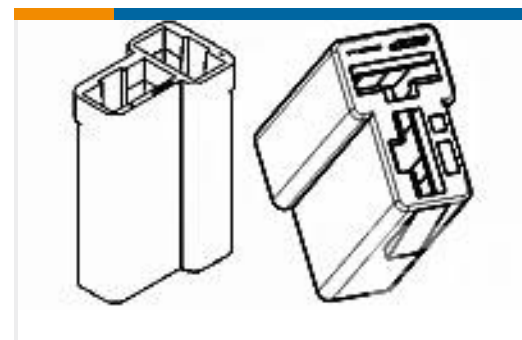
TE Part #3-641190-2  
02P MTA100 CONN ASSY RED LF



TE Part #487547-1  
FFC RCPT CONTACT .050CL



TE Part #32837-1  
TERMINAL,PIDG R 22-16 10



TE Part #480115-3  
FF 250 REC HSG 2P NYLON BLACK



TE Part #61988-2  
250 FASTON REC 22-18 AWG TPBR



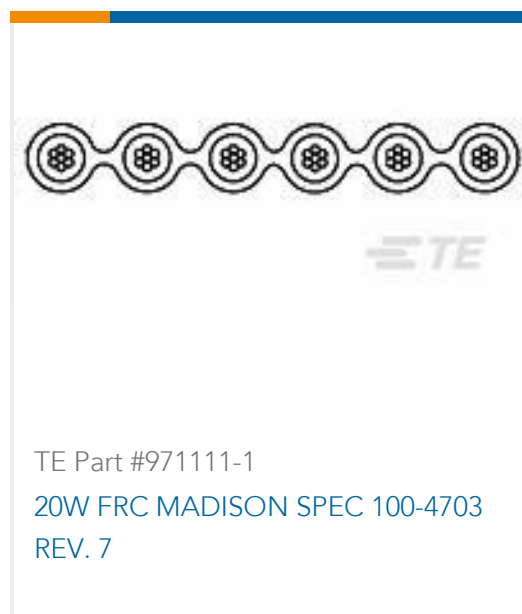
TE Part #52930-1  
PIDG SP SPD 22-16COMM22-18MIL8



TE Part #1-487937-0  
010 HOUSING FFC 50CL DR LATCH



TE Part #5500742015  
TAT-125-1-1/2-0-STK



## Documents

### Product Drawings

[TERMINAL,PIDG R 16-14 10](#)

English

### CAD Files

[3D PDF](#)

3D

Customer View Model

[ENG\\_CVM\\_CVM\\_53942-2\\_C.2d\\_dxf.zip](#)

English

Customer View Model

[ENG\\_CVM\\_CVM\\_53942-2\\_C.3d\\_igs.zip](#)

English

Customer View Model

[ENG\\_CVM\\_CVM\\_53942-2\\_C.3d\\_stp.zip](#)

English

[3D PDF](#)

English

Customer View Model

[ENG\\_CVM\\_53942-2\\_A.3d\\_igs.zip](#)

English

Customer View Model

[ENG\\_CVM\\_53942-2\\_A.3d\\_stp.zip](#)

English

Customer View Model

[ENG\\_CVM\\_53942-2\\_A.2d\\_dxf.zip](#)

English

By downloading the CAD file I accept and agree to the [Terms and Conditions](#) of use.

### Product Specifications

[Application Specification](#)

English

### Product Environmental Compliance

[MD\\_53942-2\\_112120171359\\_dmtec](#)

English



[MD\\_53942-2\\_112120171359\\_dmtec](#)

English

---

[Agency Approvals](#)

[UL Report](#)

English