

5207871-1 ✓ ACTIVE

AMPLIMITE | AMPLIMITE Kit

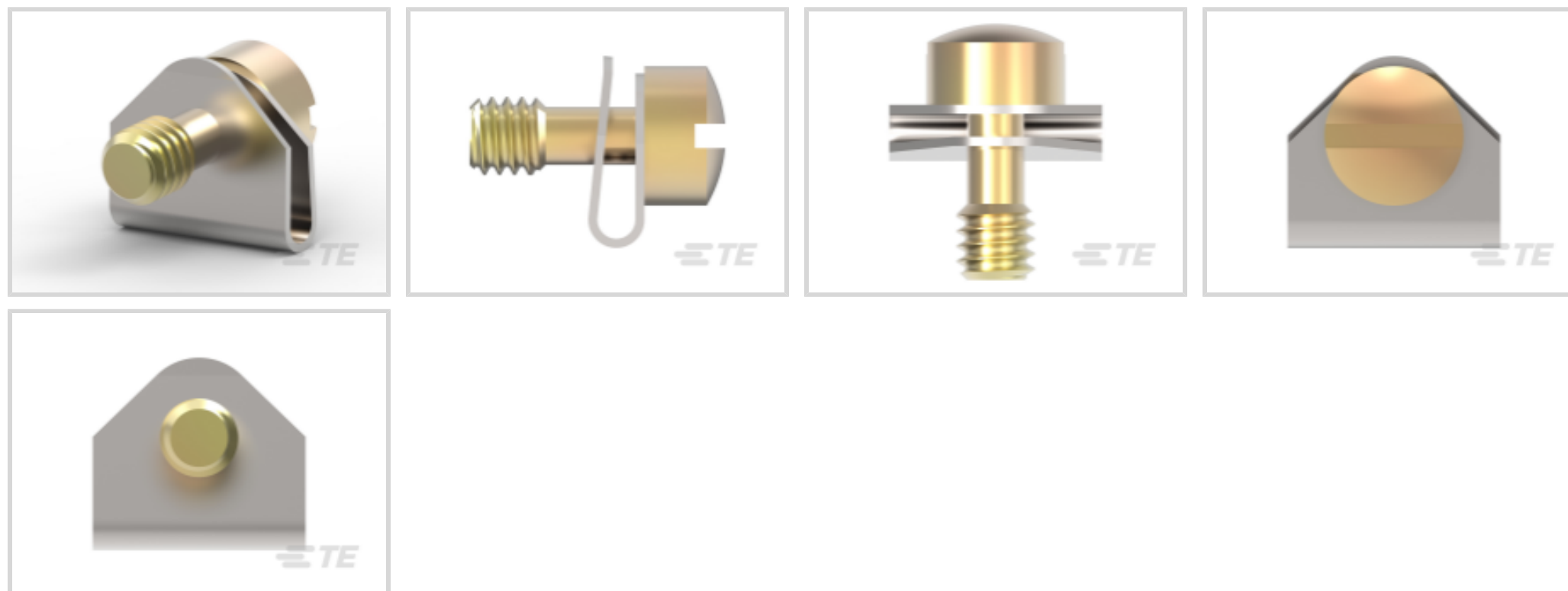
TE Internal #: 5207871-1

D-Sub Locking & Mounting, Screw Retainer Kit, Screw Length 5.84 mm [.23 in], AMPLIMITE Kit

[View on TE.com >](#)



Connectors > D-Shaped Connectors > D-Sub Accessories > Locking & Mounting



D-Shaped Connector Accessories: **Screw Retainer Kit**

Screw Length: **5.84 mm [.23 in]**

Features

Product Type Features

Product Type	Accessory
D-Shaped Connector Accessories	Screw Retainer Kit

Mechanical Attachment

Screw Plating Material	Zinc
Screw Material	Cold Rolled Steel
Screw Finish	Yellow Chromate
Screw & Hole Thread Size	M3
Screw Length	5.84 mm [.23 in]

Operation/Application

For Use With	Metal Shell Connectors (HDE and HDP)
--------------	--------------------------------------

Packaging Features

Packaging Method	Kit
------------------	-----

Product Compliance

[For compliance documentation, visit the product page on TE.com>](#)

EU RoHS Directive 2011/65/EU	Compliant with Exemptions
------------------------------	---------------------------



EU ELV Directive 2000/53/EC

Compliant with Exemptions

China RoHS 2 Directive MIIT Order No 32, 2016

Restricted Materials Above Threshold

EU REACH Regulation (EC) No. 1907/2006

Current ECHA Candidate List: JUNE 2022 (224)

Candidate List Declared Against: JUNE 2022 (224)

SVHC > Threshold:

Pb (.35% in Component Part)

Article Safe Usage Statements:

Do not eat, drink or smoke when using this product. Wash thoroughly after handling. Recycle if possible and dispose of the article by following all applicable governmental regulations relevant to your geographic location.

Halogen Content

Low Halogen - Br, Cl, F, I < 900 ppm per homogenous material. Also BFR/CFR/PVC Free

Solder Process Capability

Not applicable for solder process capability

Product Compliance Disclaimer

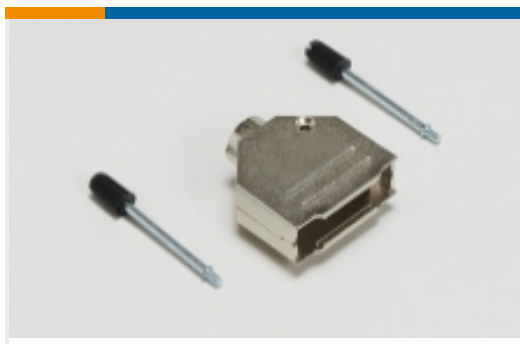
This information is provided based on reasonable inquiry of our suppliers and represents our current actual knowledge based on the information they provided. This information is subject to change. The part numbers that TE has identified as EU RoHS compliant have a maximum concentration of 0.1% by weight in homogenous materials for lead, hexavalent chromium, mercury, PBB, PBDE, DBP, BBP, DEHP, DIBP, and 0.01% for cadmium, or qualify for an exemption to these limits as defined in the Annexes of Directive 2011/65/EU (RoHS2). Finished electrical and electronic equipment products will be CE marked as required by Directive 2011/65/EU. Components may not be CE marked. Additionally, the part numbers that TE has identified as EU ELV compliant have a maximum concentration of 0.1% by weight in homogenous materials for lead, hexavalent chromium, and mercury, and 0.01% for cadmium, or qualify for an exemption to these limits as defined in the Annexes of Directive 2000/53/EC (ELV). Regarding the REACH Regulation, the information TE provides on SVHC in articles for this part number is based on the latest European Chemicals Agency (ECHA) 'Guidance on requirements for substances in articles' posted at this URL: <https://echa.europa.eu/guidance-documents/guidance-on-reach>

Compatible Parts

TE Part # 5207871-2
SCREW RETAINER KIT

TE Part # 748274-4
SCREW RETAINER CLIP,AMPLIMITE

Also in the Series | **AMPLIMITE Kit**



D-Sub Backshells & Clamps(135)



D-Sub Contact Accessories(1)



D-Sub Covers(3)

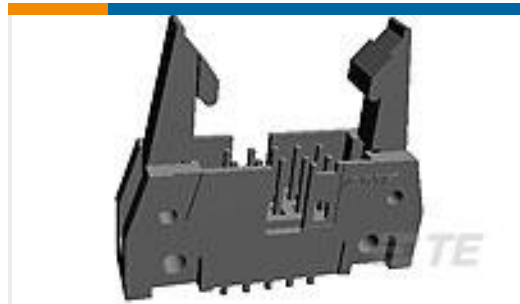


D-Sub Locking & Mounting(122)

Customers Also Bought



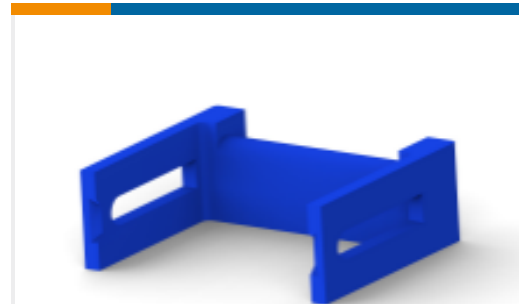
TE Part #1658689-1
KIT, HDP-22, ENCLSUR, RCPT, SIZE 2



TE Part #5499923-9
A/L UNIV HDR 40P VERT LG LAT



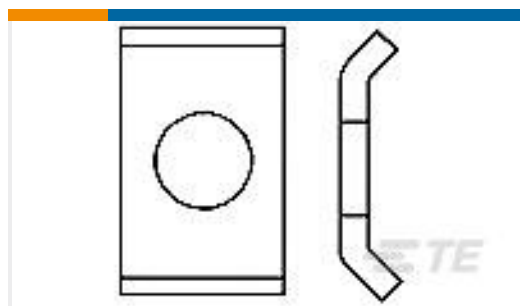
TE Part #1-1939638-4
DYNAMIC 1100D HDR ASSY H 28P
XBLACK GOLD



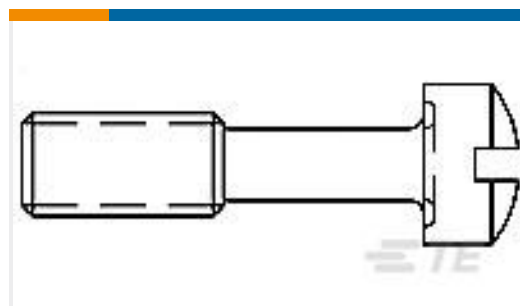
TE Part #1-1437021-2
Female Socket Connectors: Strain
Relief



TE Part #5747299-4
15 RCPT SP/FMS STD



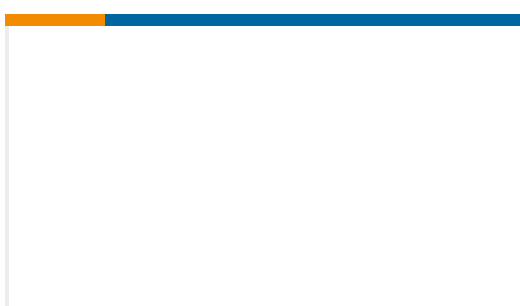
TE Part #5206473-3
SADDLE WASHER, SPECIAL, ZN PLTD



TE Part #5206052-3
SCREW, SPECIAL, ZN



TE Part #734267-000
CWT-7-S



TE Part #131098
HOUSING, BLOCK 4 P

Documents

Product Drawings

[SCREW RETAINER KIT](#)

English

CAD Files

[3D PDF](#)

3D

[Customer View Model](#)

[ENG_CVM_CVM_5207871-1_O.2d_dxf.zip](#)



English

Customer View Model

[ENG_CVM_CVM_5207871-1_O.3d_igs.zip](#)

English

Customer View Model

[ENG_CVM_CVM_5207871-1_O.3d_stp.zip](#)

English

By downloading the CAD file I accept and agree to the [Terms and Conditions](#) of use.

Datasheets & Catalog Pages

[AMPLIMITE Subminiature D Connectors - Cable Connectors](#)

English

[AMPLIMITE Cable Connectors and Shielding Hardware Kits QRG](#)

English

Product Environmental Compliance

[MD_5207871-1_04032018121_dmtec](#)

English

[MD_5207871-1_04032018121_dmtec](#)

English

Instruction Sheets

[Instruction Sheet \(U.S.\)](#)

English