

0.28±0.03	13.65	17.0	12.5	18.2	54548-2671	54548-2629	26
	12.65	16.0	11.5	17.2	54548-2471	54548-2429	24
	11.65	15.0	10.5	16.2	54548-2271	54548-2229	22
	10.65	14.0	9.5	15.2	54548-2071	54548-2029	20
	9.65	13.0	8.5	14.2	54548-1871	54548-1829	18
	8.65	12.0	7.5	13.2	54548-1671	54548-1629	16
	8.15	11.5	7.0	12.7	54548-1571	54548-1529	15
	7.65	11.0	6.5	12.2	54548-1471	54548-1429	14
	7.15	10.5	6.0	11.7	54548-1371	54548-1329	13
	6.65	10.0	5.5	11.2	54548-1271	54548-1229	12
	5.65	9.0	4.5	10.2	54548-1071	54548-1029	10
	5.15	8.5	4.0	9.7	54548-0971	54548-0929	9
	4.65	8.0	3.5	9.2	54548-0871	54548-0829	8
	4.15	7.5	3.0	8.7	54548-0771	54548-0729	7
3.65	7.0	2.5	8.2	54548-0671	54548-0629	6	
3.15	6.5	2.0	7.7	54548-0571	54548-0529	5	
2.65	6.0	1.5	7.2	54548-0471	54548-0429	4	
FPC THICKNESS	D	C	B	A	EMBOSSED TAPE	製品番号	極数
					ORDER No. オーダー番号	MATERIAL No.	Ckt
					54548-**-29	MODEL No.	

GENERAL TOLERANCES (UNLESS SPECIFIED)

10 ^{UNDER}	±0.2
10 ^{OVER} 30 ^{UNDER}	±0.25
30 ^{OVER}	±0.3

THIS DRAWING CONTAINS INFORMATION THAT IS PROPRIETARY TO MOLEX ELECTRONIC TECHNOLOGIES, LLC AND SHOULD NOT BE USED WITHOUT WRITTEN PERMISSION

SCALE: 10:1

GENERAL TOLERANCES (UNLESS SPECIFIED)

	MM	INCH
4 PLACES	±	±
3 PLACES	±	±
2 PLACES	±	±
1 PLACE	±	±
0 PLACES	±	±

ANGULAR TOL ± 3.0°

DRAFT WHERE APPLICABLE MUST REMAIN WITHIN DIMENSIONS

THIRD ANGLE PROJECTION

DRAWING: A3-SIZE

SERIES: 54548

EC NO: 636343
DRWN: AKUMAR19 2020/04/20
CHK'D: GGA 2020/07/10
APPR: GGA 2020/07/10

INITIAL REVISION:
DRWN: HSHIMABUKURO 2004/02/10
APPR: MSASAO 2004/02/10

PRODUCT CUSTOMER DRAWING

DOCUMENT NUMBER: SD-54548-039

DOC TYPE: PSD

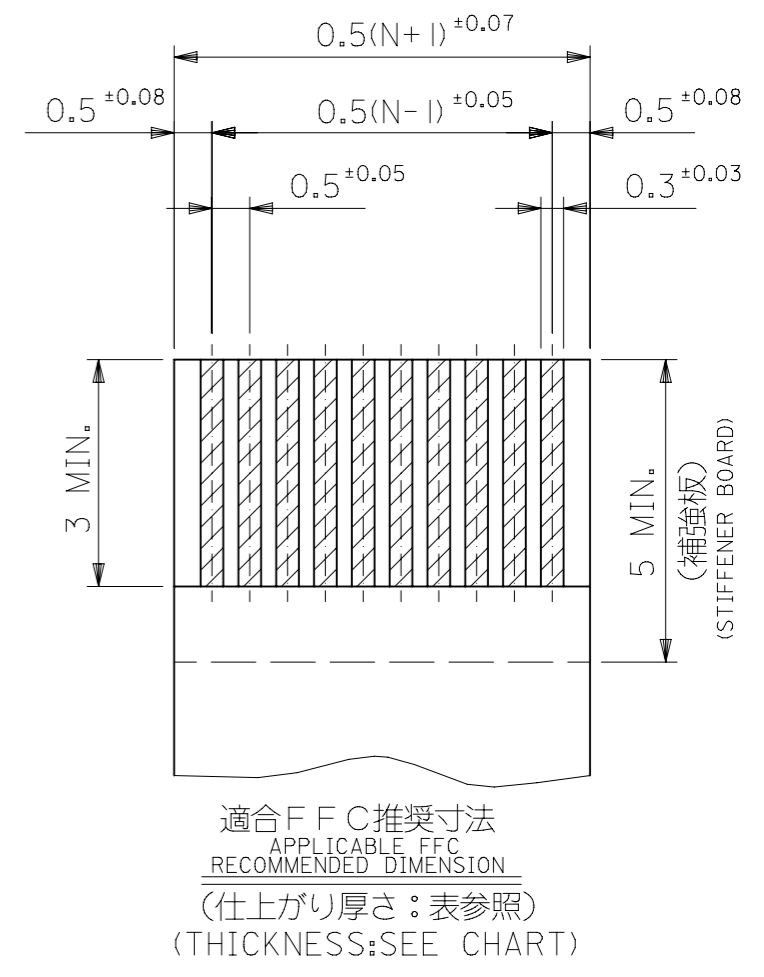
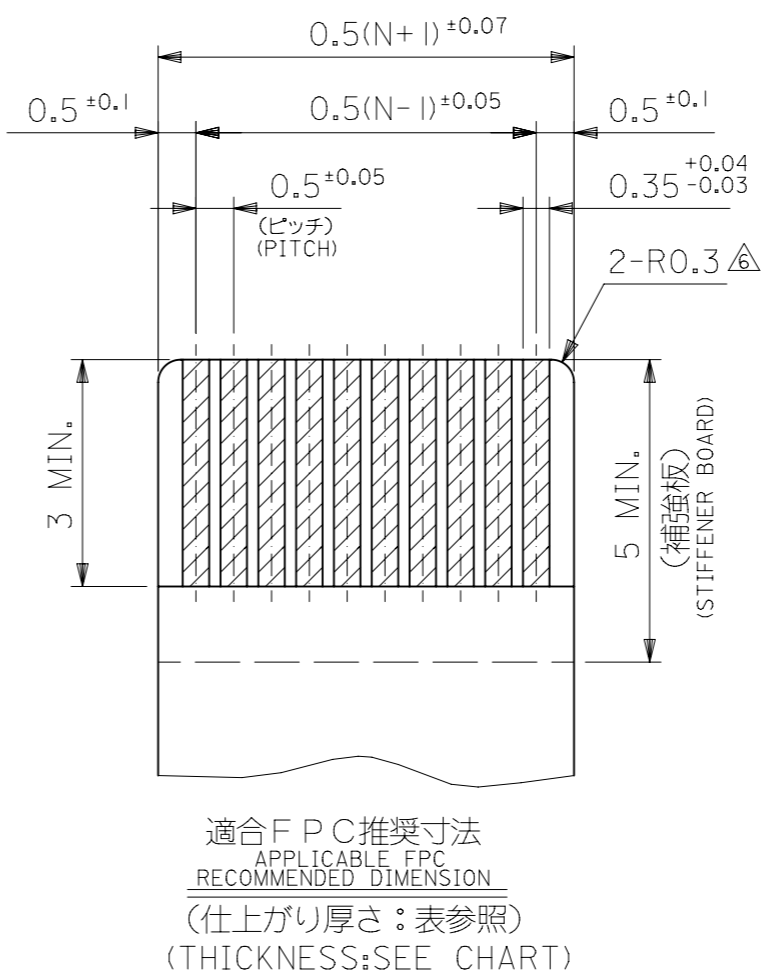
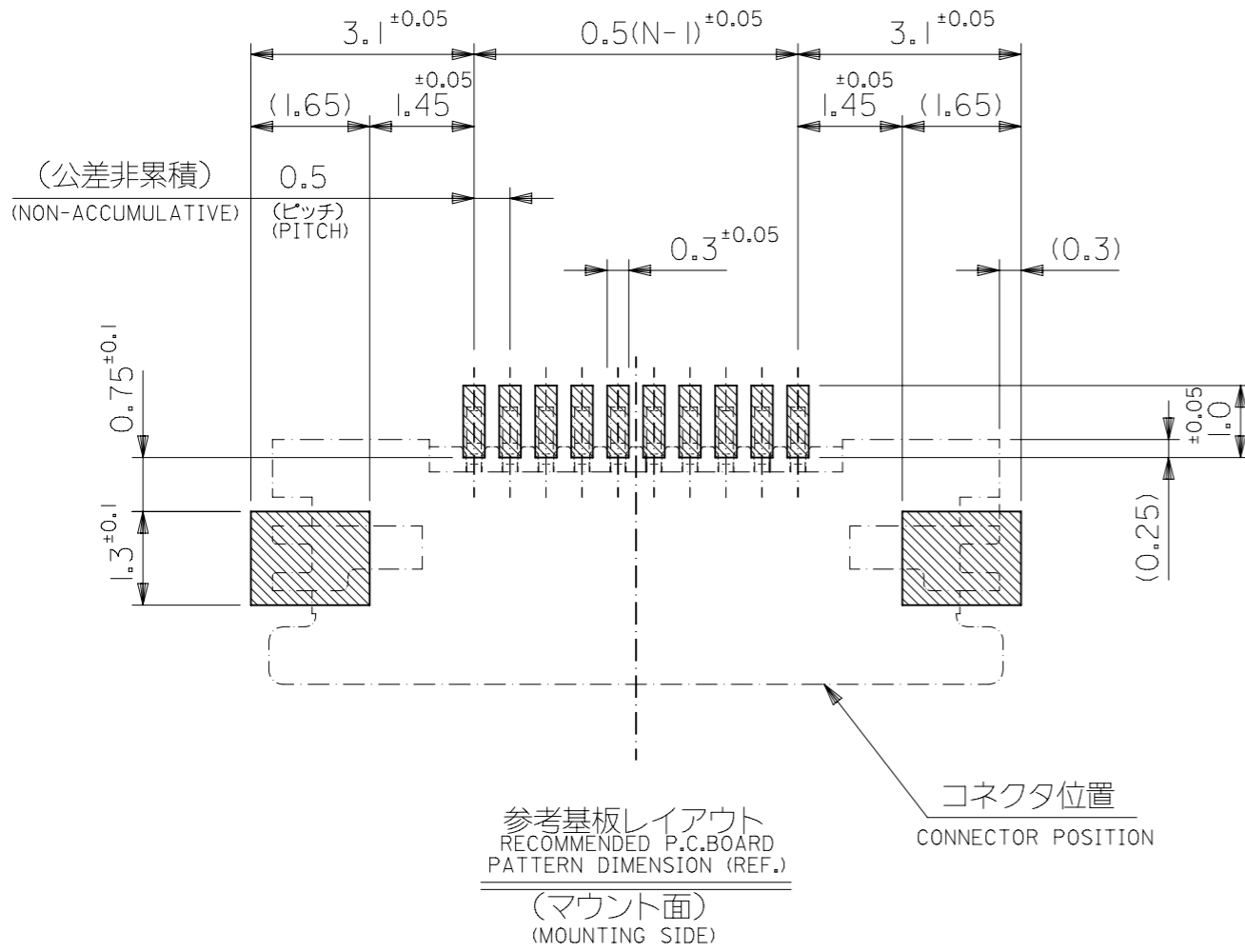
DOC PART: 001

REVISION: P

MATERIAL NUMBER: SEE TABLE

CUSTOMER: GENERAL MARKET

SHEET NUMBER: 1 OF 2



適合FPC推奨寸法
APPLICABLE FPC
RECOMMENDED DIMENSION
(仕上がり厚さ: 表参照)
(THICKNESS: SEE CHART)

適合FFC推奨寸法
APPLICABLE FFC
RECOMMENDED DIMENSION
(仕上がり厚さ: 表参照)
(THICKNESS: SEE CHART)

注記 NOTES

1. 使用材料 MATERIAL
- ハウジング : LCP, UL94V-0
HOUSING
 - アクチュエータ : PPS, UL94V-0
ACTUATOR
 - ターミナル : リン青銅 (t=0.2)
TERMINAL PHOSPOR BRONZE
 - メッキ : 接点部: 金メッキ
PLATING CONTACT PORTION: GOLD PLATING
 - テール部: 錫メッキ
SOLDERING PORTION: TIN OVER PLATING
 - 下地: ニッケルメッキ
UNDER PLATING: NICKEL PLATING
 - 金具 : リン青銅、錫メッキ (t=0.2)
FITTING NAIL PHOSPOR BRONZE, TIN PLATING
 - 下地: ニッケルメッキ
UNDER PLATING: NICKEL PLATING

- △ パターンはくり止め用金具
FITTING NAIL FOR PREVENTION OF PEELING OF P.C.B. PATTERN.
 - △ R0.3はFPC導体部にかからないこと
R0.3 MUST NOT BE OVERLAPPED TO PATTERN OF FPC.
7. 本製品は54548-**21の鉛フリー(部分金メッキ)品である。
THIS PRODUCT IS LEAD FREE OF 54548-**21 (SELECTIVE GOLD).
8. N: 極数 N: CIRCUIT.

2. エンボステーブ梱包時は、アクチュエータがロックした状態とする。
IN THE PACKAGE, ACTUATOR OF PART NO.54548-**29 SHOULD BE LOCKED.
- △3 ソルダータール半田付け面のズレ量、及び金具半田付け面のズレ量は、基準面 Z に対し上方向 0MAX.、下方向 0.15MAX.とし
相互のバラツキ量は0.1MAX.とする。
MISALIGNMENT OF SOLDER TAILS AND FITTING NAILS FROM Z
UPPER DIRECTION: 0 MAX., LOWER DIRECTION: 0.15 MAX.
OFFSET BETWEEN UPPER AND LOWER 0.1 MAX.
- △4 偶数極に適用。
APPLY FOR EVEN CIRCUIT.

FPC/FFC について:

打ち抜き方向は導体側から補強板側を推奨します。
導体部については軟銅箔35μmまたは50μmを推奨します。

ABOUT FPC/FFC
RECOMMENDED PUNCHER DIRECTION: FROM CONDUCTOR SIDE TO STIFFENER FILM SIDE.
RECOMMENDED CONDUCTOR SPEC:
THICKNESS OF SOFT COPPER FOIL: 35 MICROMETER OR 50 MICROMETER.

FPC について:

補強フィルム材質はポリイミドを推奨します。ベ-スフィルムは25μmを推奨します。
接着剤は熱硬化接着剤を推奨します。
尚、接着剤の接点部への付着は導通不良の原因になりますので、染み出しが無い様、お願い致します。

ABOUT FPC
RECOMMENDED MATERIAL/THICKNESS.
STIFFENER FILM: POLYIMIDE
BASE FILM THICKNESS: 25μm
BONDING AGENT: THERMOSETTING BONDING AGENT
PLEASE PUT APPROPRIATE AMOUNT OF ADHESIVE ON THE CONTACT AREA BECAUSE THE EXTRA ADHESIVE MAY CAUSE THE DEFECT IN ELECTRICAL CONTINUITY.

54548-**29 MODEL No.

THIS DRAWING CONTAINS INFORMATION THAT IS PROPRIETARY TO MOLEX ELECTRONIC TECHNOLOGIES, LLC AND SHOULD NOT BE USED WITHOUT WRITTEN PERMISSION

SCALE: 1:1

GENERAL TOLERANCES (UNLESS SPECIFIED)

DIMENSION UNITS		SCALE
mm		1:1
GENERAL TOLERANCES (UNLESS SPECIFIED)		
		MM
4 PLACES	±	0.1
3 PLACES	±	0.15
2 PLACES	±	0.2
1 PLACE	±	0.3
0 PLACES	±	0.5
		INCH
4 PLACES	±	0.004
3 PLACES	±	0.005
2 PLACES	±	0.006
1 PLACE	±	0.008
0 PLACES	±	0.010

EC NO: 636343
DRWN: AKUMAR19 2020/04/20
CHK'D: GGA 2020/07/10
APPR: GGA 2020/07/10

INITIAL REVISION:
DRWN: HSHIMABUKURO 2004/02/10
APPR: MSASAO 2004/02/10

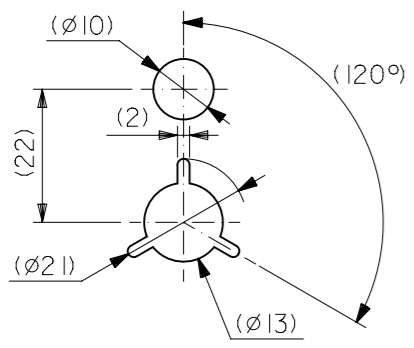
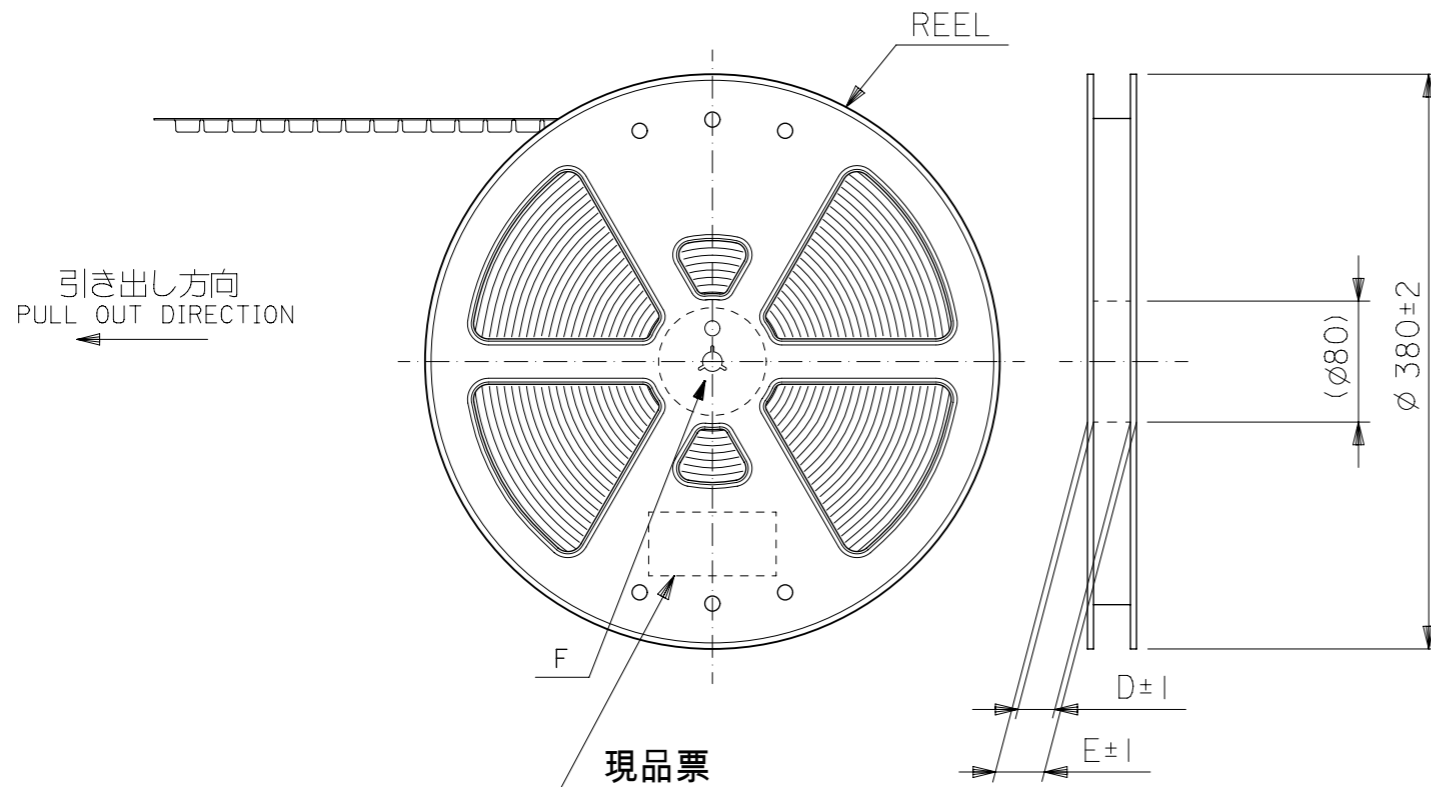
THIRD ANGLE PROJECTION

DRAFT WHERE APPLICABLE MUST REMAIN WITHIN DIMENSIONS

PRODUCT CUSTOMER DRAWING

DOCUMENT NUMBER: SD-54548-039
DOC TYPE: PSD
DOC PART: 001
REVISION: P

MATERIAL NUMBER: SEE TABLE
CUSTOMER: GENERAL MARKET
SHEET NUMBER: 2 OF 2



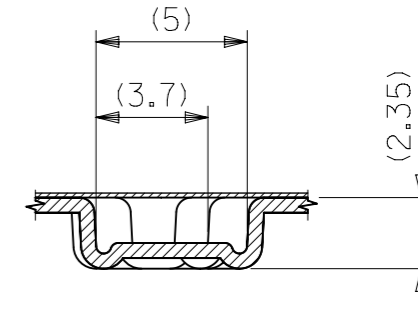
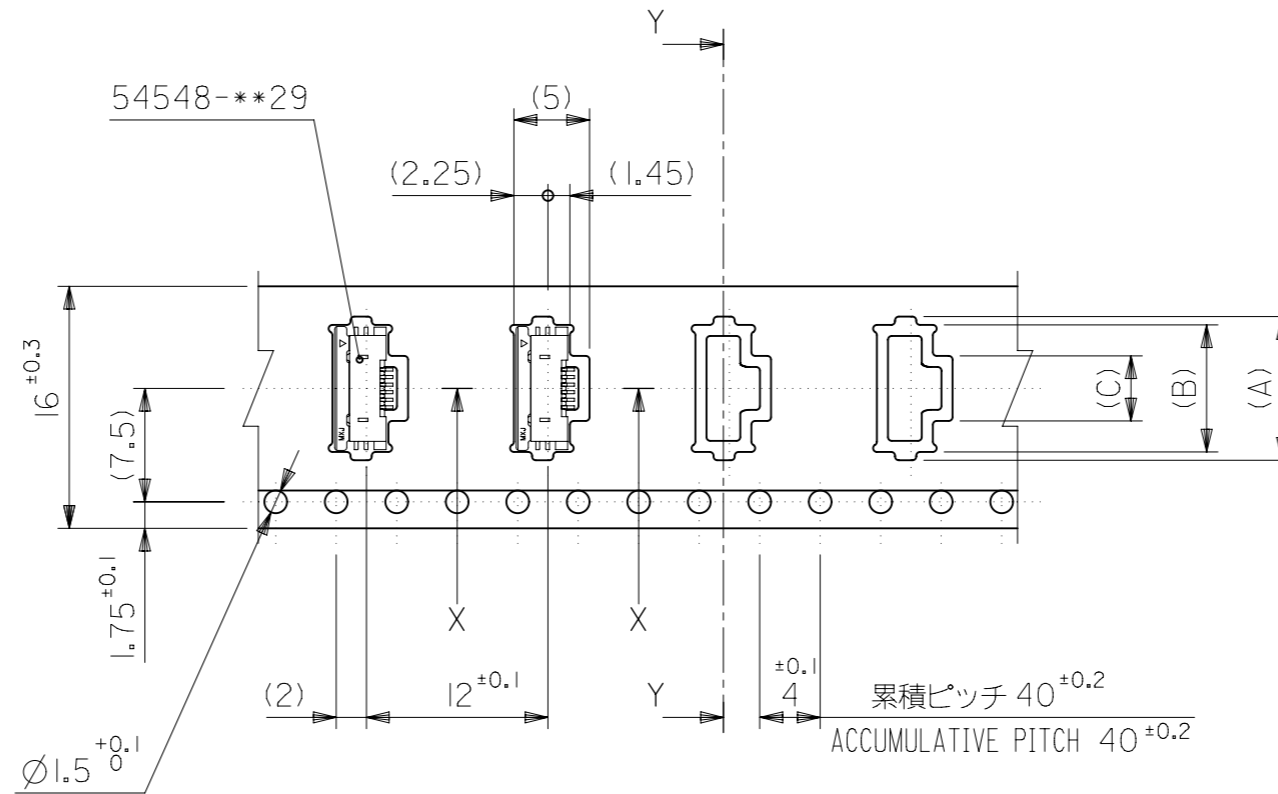
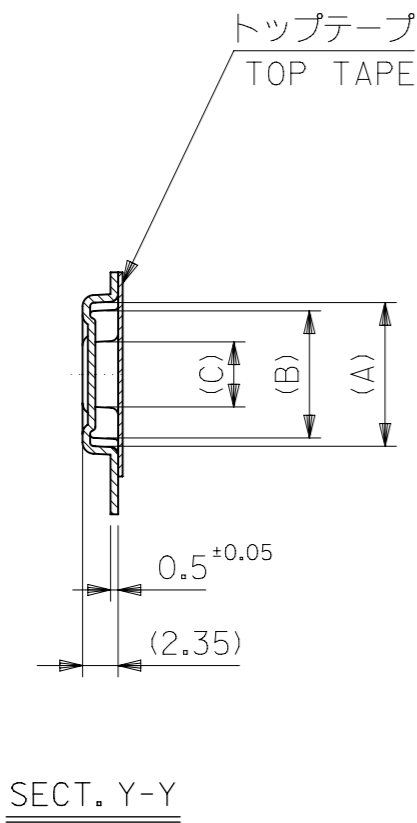
NOTES

- 製品詳細寸法については図面 SD-54548-039 を参照下さい。
RE DETAILED DIMENSION, SEE SD-54548-039
 - 梱包数量：3000個/リール
NUMBER OF CONNECTORS : 3000PCS/REEL
 - リードテープ長さ LEAD TAPE LENGTH
-
- トップテープの剥離強度： 0.1N ~ 1.3N(10gf ~ 130gf)
(剥離方向は下図参照)
尚、本規格値は出荷時に適用。(但し、輸送時に剥離が発生しないこと。)
PEELING OFF FORCE OF TOP TAPE : 0.1N ~ 1.3N(10gf ~ 130gf)
(PEELING DIRECTION AS SHOWN IN FOLLOWING FIG.)
THIS REQUIREMENT SHOULD BE APPLIED AT SHIPMENT.
PEEL OFF SHOULD NOT BE ALLOWED , DURING TRANSPORTATION.
-
- 材料(MATERIAL)
キャリアテープ(CARRIER TAPE)：ポリプロピレン(POLYPROPYLENE)
トップテープ(TOPTAPE)：PET , PE , PEF
リール(REEL)：ポリスチレン (P S) <リサイクル材を含む>
POLYSTYRENE(PS) <RECYCLE MATERIAL CONTAINED>
 - 本製品は 54548 - **91 の鉛フリー (部分金メッキ) 品である。
THIS PRODUCT IS LEAD FREE OF 54548-**91 (SELECTIVE GOLD).

GENERAL TOLERANCES (UNLESS SPECIFIED)	
10 ^{UNDER}	±0.2
10 ^{OVER} 30 ^{UNDER}	±0.25
30 ^{OVER}	±0.3

THIS DRAWING CONTAINS INFORMATION THAT IS PROPRIETARY TO MOLEX ELECTRONIC TECHNOLOGIES, LLC AND SHOULD NOT BE USED WITHOUT WRITTEN PERMISSION		54548-**71		MODEL No.	
DIMENSION UNITS: mm		SCALE: NTS		CURRENT REV DESC: OBSOLETE PART NUMBER	
GENERAL TOLERANCES (UNLESS SPECIFIED)		MM		INCH	
4 PLACES	±			EC NO: 636343	
3 PLACES	±			DRWN: AKUMAR19 2020/04/20	
2 PLACES	±			CHK'D: GGA 2020/07/10	
1 PLACE	±			APPR: GGA 2020/07/10	
0 PLACES	±			INITIAL REVISION:	
ANGULAR TOL ± 3.0°		THIRD ANGLE PROJECTION		DRWN: HSHIMABUKURO 2004/02/10	
DRAFT WHERE APPLICABLE MUST REMAIN WITHIN DIMENSIONS		DRAWING: A3-SIZE		SERIES: 54548	
		MATERIAL NUMBER: SEE TABLE		CUSTOMER: GENERAL MARKET	
		DOCUMENT NUMBER: SD-54548-040		DOC TYPE: PSD	
		DOC PART: 001		REVISION: K	
		SHEET NUMBER: 1 OF 4			

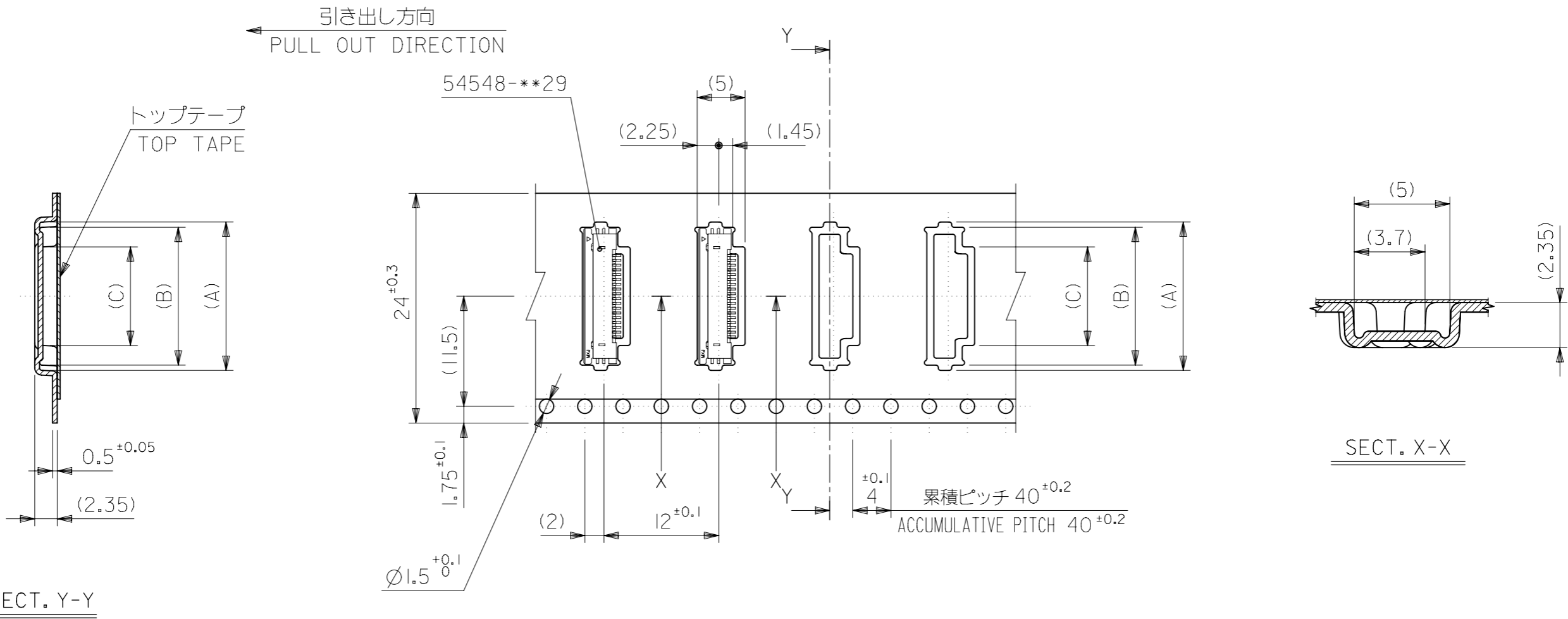
引き出し方向
PULL OUT DIRECTION



16mm幅キャリアテープ
16mm WIDTH CARRIER TAPE

16	21.4	17.4	4.3	8.4	9.5	54548-0671	6
			3.8	7.9	9.0	54548-0571	5
			3.3	7.4	8.5	54548-0471	4
キャリアテープ幅 CARRIER TAPE WIDTH	E	D	(C)	(B)	(A)	製品番号 MATERIAL No.	極数 Ck+
						54548-**-71	MODEL No.

DIMENSION UNITS: mm SCALE: NTS GENERAL TOLERANCES (UNLESS SPECIFIED): 4 PLACES ± 0.2 3 PLACES ± 0.25 2 PLACES ± 0.3 1 PLACE ± 0.3 0 PLACES ± 0.3 ANGULAR TOL ± 3.0° DRAFT WHERE APPLICABLE MUST REMAIN WITHIN DIMENSIONS		THIS DRAWING CONTAINS INFORMATION THAT IS PROPRIETARY TO MOLEX ELECTRONIC TECHNOLOGIES, LLC AND SHOULD NOT BE USED WITHOUT WRITTEN PERMISSION CURRENT REV DESC: OBSOLETE PART NUMBER EC NO: 636343 DRWN: AKUMAR19 CHK'D: GGA APPR: GGA INITIAL REVISION: DRWN: HSHIMABUKURO APPR: MSASAO		2020/04/20 2020/07/10 2020/07/10 2004/02/10 2004/02/10		molex 0.5 FPC CONN ZIF HSG ASSY RA BOTTOM CONTACT -LEAD FREE- PRODUCT CUSTOMER DRAWING	
DOCUMENT NUMBER: SD-54548-040 DOC TYPE: PSD DOC PART: 001 REVISION: K		MATERIAL NUMBER: SEE TABLE CUSTOMER: GENERAL MARKET		SHEET NUMBER: 2 OF 4			



24mm幅キャリアテープ
24mm WIDTH CARRIER TAPE

24	29.4	25.4	12.3	16.4	17.5	54548-2271	22
			11.3	15.4	16.5	54548-2071	20
			10.3	14.4	15.5	54548-1871	18
			9.3	13.4	14.5	54548-1671	16
			8.8	12.9	14.0	54548-1571	15
			8.3	12.4	13.5	54548-1471	14
			7.8	11.9	13.0	54548-1371	13
			7.3	11.4	12.5	54548-1271	12
			6.3	10.4	11.5	54548-1071	10
			5.8	9.9	11.0	54548-0971	9
5.3	9.4	10.5	54548-0871	8			
4.8	8.9	10.0	54548-0771	7			
キャリアテープ幅 CARRIER TAPE WIDTH	E	D	(C)	(B)	(A)	製品番号 MATERIAL No.	極数 Ck+

54548-***71 MODEL No.

THIS DRAWING CONTAINS INFORMATION THAT IS PROPRIETARY TO MOLEX ELECTRONIC TECHNOLOGIES, LLC AND SHOULD NOT BE USED WITHOUT WRITTEN PERMISSION

SCALE: mm NTS

GENERAL TOLERANCES (UNLESS SPECIFIED)

4 PLACES	±
3 PLACES	±
2 PLACES	±
1 PLACE	±
0 PLACES	±

ANGULAR TOL ± 3.0°

DRAFT WHERE APPLICABLE MUST REMAIN WITHIN DIMENSIONS

THIRD ANGLE PROJECTION

DRAWING: A3-SIZE

SERIES: 54548

MATERIAL NUMBER: SEE TABLE

CUSTOMER: GENERAL MARKET

SHEET NUMBER: 3 OF 4

EC NO: 636343
DRWN: AKUMAR19
CHK'D: GGA
APPR: GGA

INITIAL REVISION:
DRWN: HSHIMABUKURO
APPR: MSASAO

2020/04/20
2020/07/10
2020/07/10

2004/02/10
2004/02/10

DOCUMENT NUMBER: SD-54548-040

DOC TYPE: PSD

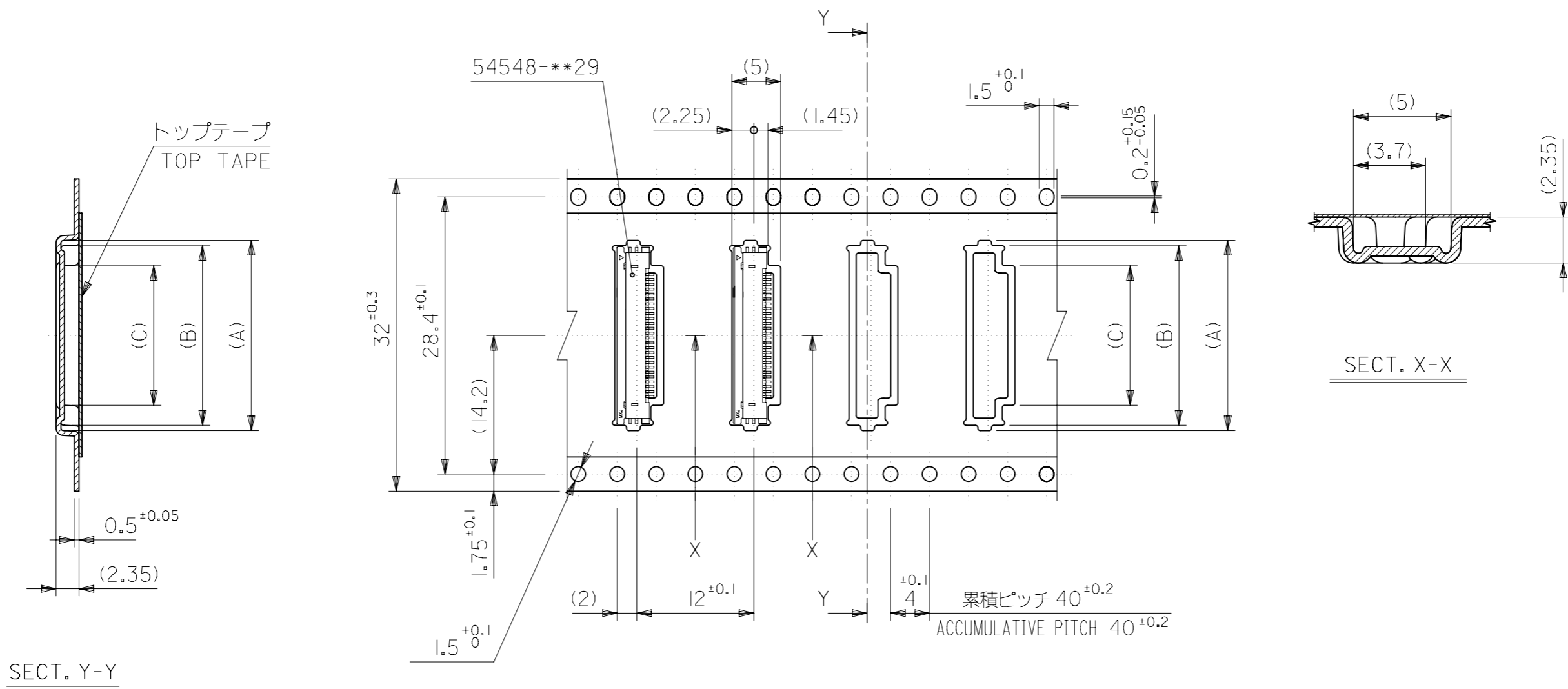
DOC PART: 001

REVISION: K

PRODUCT CUSTOMER DRAWING

0.5 FPC CONN ZIF HSG
ASSY RA BOTTOM CONTACT -LEAD FREE-

引き出し方向
PULL OUT DIRECTION



32mm幅キャリアテープ
32mm WIDTH CARRIER TAPE

32	37.4	33.4	14.3	18.4	19.5	54548-2671	26
キャリアテープ幅 CARRIER TAPE WIDTH	E	D	(C)	(B)	(A)	製品番号 MATERIAL No.	極数 Ck+
						54548-***71	MODEL No.

DIMENSION UNITS mm NTS		SCALE NTS		THIS DRAWING CONTAINS INFORMATION THAT IS PROPRIETARY TO MOLEX ELECTRONIC TECHNOLOGIES, LLC AND SHOULD NOT BE USED WITHOUT WRITTEN PERMISSION			
GENERAL TOLERANCES (UNLESS SPECIFIED)		GENERAL TOLERANCES (UNLESS SPECIFIED)		CURRENT REV DESC: OBSOLETE PART NUMBER			
4 PLACES ± 0.2 3 PLACES ± 0.25 2 PLACES ± 0.3 1 PLACE ± 0.4 0 PLACES ± 0.5		MM INCH ± ± ± ± ± ± ± ± ± ±		EC NO: 636343 DRWN: AKUMAR19 2020/04/20 CHK'D: GGA 2020/07/10 APPR: GGA 2020/07/10			
10 ^{UNDER} ±0.2 10 ^{OVER} 30 ^{UNDER} ±0.25 30 ^{OVER} ±0.3		ANGULAR TOL ± 3.0°		INITIAL REVISION: DRWN: HSHIMABUKURO 2004/02/10 APPR: MSASAO 2004/02/10			
DRAFT WHERE APPLICABLE MUST REMAIN WITHIN DIMENSIONS		THIRD ANGLE PROJECTION		DOCUMENT NUMBER DOC TYPE DOC PART REVISION SD-54548-040 PSD 001 K			
		DRAWING SERIES MATERIAL NUMBER CUSTOMER A3-SIZE 54548 SEE TABLE GENERAL MARKET		SHEET NUMBER 4 OF 4			