

521284-1 ✓ ACTIVE

Ultra-Pod | Ultra-Pod 187

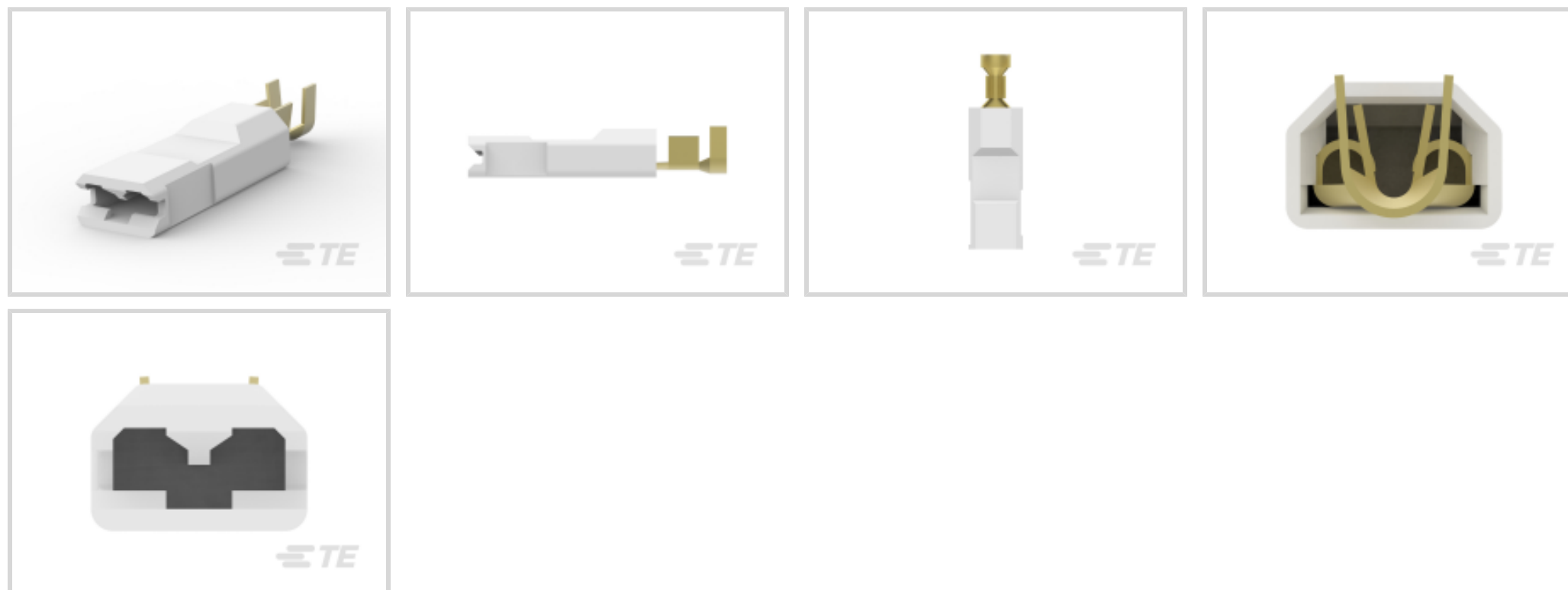
TE Internal #: 521284-1

Quick Disconnects, Receptacle, 20 – 16 AWG Wire Size, .51 – 1.31 mm<sup>2</sup> Wire Size, Mating Tab Width .187 in [4.75 mm], Straight, Brass, Ultra-Pod 187

[View on TE.com >](#)



Terminals & Splices > Quick Disconnects



Quick Disconnect Terminal Type: **Receptacle**

Wire Size: .51 – 1.31 mm<sup>2</sup>

Mating Tab Width: 4.75 mm [.187 in]

Mating Tab Thickness: .81 mm [.032 in]

## Features

### Product Type Features

|                 |              |
|-----------------|--------------|
| Terminates To   | Wire & Cable |
| Wire/Cable Type | Regular Wire |
| Insertion Force | Low          |
| Sealable        | No           |

### Configuration Features

|                     |        |
|---------------------|--------|
| Connection Capacity | Single |
|---------------------|--------|

### Electrical Characteristics

|               |       |
|---------------|-------|
| Voltage (Max) | 600 V |
|---------------|-------|

### Body Features

|                     |       |
|---------------------|-------|
| Insulation Material | Nylon |
|---------------------|-------|

### Contact Features

|                                |                   |
|--------------------------------|-------------------|
| Quick Disconnect Terminal Type | Receptacle        |
| Mating Tab Width               | 4.75 mm [.187 in] |
| Mating Tab Thickness           | .81 mm [.032 in]  |



|                      |          |
|----------------------|----------|
| Terminal Orientation | Straight |
|----------------------|----------|

|                       |       |
|-----------------------|-------|
| Contact Base Material | Brass |
|-----------------------|-------|

|                           |          |
|---------------------------|----------|
| Terminal Plating Material | Unplated |
|---------------------------|----------|

|            |         |
|------------|---------|
| Crimp Type | F-Crimp |
|------------|---------|

|             |      |
|-------------|------|
| Barrel Type | Open |
|-------------|------|

### Mechanical Attachment

|                         |      |
|-------------------------|------|
| Wire Insulation Support | With |
|-------------------------|------|

### Dimensions

|  |                              |
|--|------------------------------|
| Accepts Wire Insulation Diameter Range | 2.29 – 3.3 mm [.09 – .13 in] |
|--|------------------------------|

|                                     |                  |
|-------------------------------------|------------------|
| Receptacle Terminal Stock Thickness | .33 mm [.013 in] |
|-------------------------------------|------------------|

|                |                     |
|----------------|---------------------|
| Overall Length | 27.56 mm [1.085 in] |
|----------------|---------------------|

|           |                            |
|-----------|----------------------------|
| Wire Size | .51 – 1.31 mm <sup>2</sup> |
|-----------|----------------------------|

### Usage Conditions

|                   |             |
|-------------------|-------------|
| Insulation Option | Uninsulated |
|-------------------|-------------|

|                             |                             |
|-----------------------------|-----------------------------|
| Operating Temperature Range | -40 – 150 °C [-40 – 302 °F] |
|-----------------------------|-----------------------------|

### Industry Standards

|                |        |
|----------------|--------|
| UL File Number | E66717 |
|----------------|--------|

|                        |          |
|------------------------|----------|
| UL Flammability Rating | UL 94V-0 |
|------------------------|----------|

|               |     |
|---------------|-----|
| CSA Certified | Yes |
|---------------|-----|

|           |        |
|-----------|--------|
| UL Rating | Listed |
|-----------|--------|

### Packaging Features

|                    |      |
|--------------------|------|
| Packaging Quantity | 2500 |
|--------------------|------|

|                  |            |
|------------------|------------|
| Packaging Method | Strip/Reel |
|------------------|------------|

### Other

|              |         |
|--------------|---------|
| Barrel Color | Natural |
|--------------|---------|

### Product Compliance

[For compliance documentation, visit the product page on TE.com>](#)

|                              |           |
|------------------------------|-----------|
| EU RoHS Directive 2011/65/EU | Compliant |
|------------------------------|-----------|

|                             |           |
|-----------------------------|-----------|
| EU ELV Directive 2000/53/EC | Compliant |
|-----------------------------|-----------|

|   |   |
|---|---|
| China RoHS 2 Directive MIIT Order No 32, 2016 | No Restricted Materials Above Threshold |
|---|---|

|  |  |
|--|--|
| EU REACH Regulation (EC) No. 1907/2006 |  |
|--|--|



Current ECHA Candidate List: JUNE 2022  
(224)

Candidate List Declared Against: JAN 2022  
(223)

SVHC > Threshold:  
Not Yet Reviewed

|                 |   |
|-----------------|---|
| Halogen Content | Low Halogen - Br, Cl, F, I < 900 ppm per homogenous material. Also BFR/CFR/PVC Free |
|-----------------|---|

|                           |  |
|---------------------------|--|
| Solder Process Capability | Not applicable for solder process capability |
|---------------------------|--|

Product Compliance Disclaimer

This information is provided based on reasonable inquiry of our suppliers and represents our current actual knowledge based on the information they provided. This information is subject to change. The part numbers that TE has identified as EU RoHS compliant have a maximum concentration of 0.1% by weight in homogenous materials for lead, hexavalent chromium, mercury, PBB, PBDE, DBP, BBP, DEHP, DIBP, and 0.01% for cadmium, or qualify for an exemption to these limits as defined in the Annexes of Directive 2011/65/EU (RoHS2). Finished electrical and electronic equipment products will be CE marked as required by Directive 2011/65/EU. Components may not be CE marked. Additionally, the part numbers that TE has identified as EU ELV compliant have a maximum concentration of 0.1% by weight in homogenous materials for lead, hexavalent chromium, and mercury, and 0.01% for cadmium, or qualify for an exemption to these limits as defined in the Annexes of Directive 2000/53/EC (ELV). Regarding the REACH Regulation, the information TE provides on SVHC in articles for this part number is based on the latest European Chemicals Agency (ECHA) 'Guidance on requirements for substances in articles' posted at this URL: <https://echa.europa.eu/guidance-documents/guidance-on-reach>

## Compatible Parts

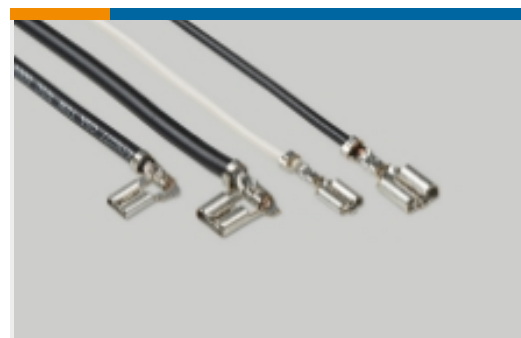


TE Part # 1855118-1  
U POD .187 STRAIGHT SAPR090F140F  
LM & G



TE Part # 1855118-3  
U POD .187 STRAIGHT SAPR090F140F  
LM

## Also in the Series | Ultra-Pod 187



Quick Disconnects(31)

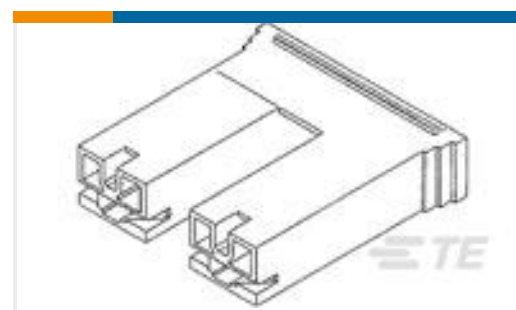
## Customers Also Bought



TE Part #1971787-2  
PTL RECEPTACLE CONTACT, 2X18  
AWG



TE Part #1-2132782-2  
12 pos. EP II breakaway retain



TE Part #1-520935-5  
PL 250 HOUSING REC BLUE 6/6  
NYLON V2



TE Part #42486-1  
187 FASTON FLAG REC 20-16 AWG  
BR



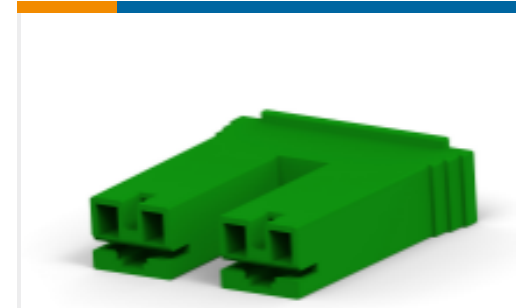
TE Part #62817-1  
187 FASTON FLAG REC 20-16 AWG  
BR



TE Part #521596-2  
ULTRA-POD 187 ASSY REC 22-18  
AWG TPBR



TE Part #521212-2  
ULTRA-POD 187 ASSY REC 18-14  
AWG TPBR



TE Part #1-520935-4  
PL 250 HOUSING REC GREEN



TE Part #1-520935-6  
HSG, RECP, POSI-LOCK&STD FAST250



TE Part #1-520935-7  
PL 250 HOUSING REC 6/6 NYLON V0

## Documents

### Product Drawings

[ULTRA-POD 187 ASSY REC 20-16 AWG BR](#)

English

### CAD Files

[3D PDF](#)

3D

Customer View Model

[ENG\\_CVM\\_CVM\\_521284-1\\_B.2d\\_dxf.zip](#)

English

Customer View Model

[ENG\\_CVM\\_CVM\\_521284-1\\_B.3d\\_igs.zip](#)

English

Customer View Model

[ENG\\_CVM\\_CVM\\_521284-1\\_B.3d\\_stp.zip](#)

English

By downloading the CAD file I accept and agree to the [Terms and Conditions](#) of use.

### Datasheets & Catalog Pages



## Ultra-Fast and Ultra Fast Plus

English

---

## Product Specifications

### Application Specification

English

---

## Product Environmental Compliance

### TE Material Declaration

English

---

## Agency Approvals

### UL Report

English