

54774-2 ✓ ACTIVE

PLASTI-GRIP

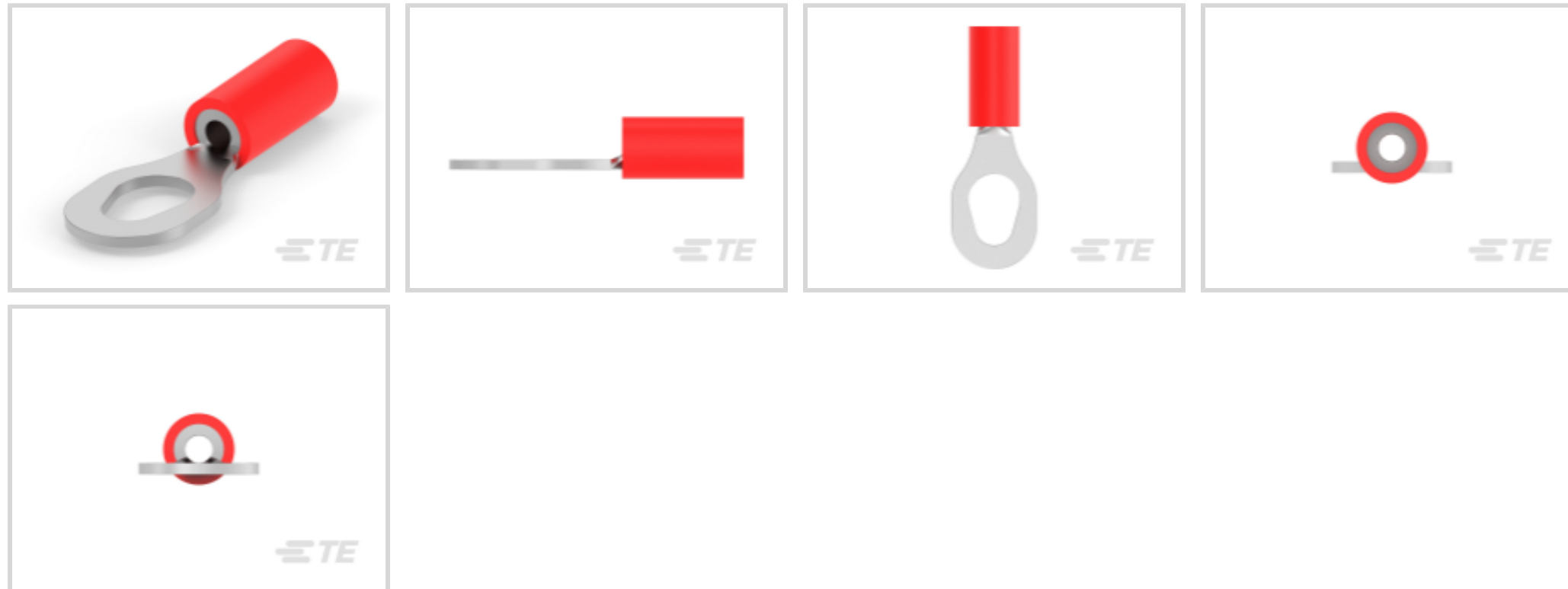
TE Internal #: 54774-2

Ring Terminals & Spade Terminals, Multiple Stud Size Ring Tongue, 22 AWG Wire Size, .3 – 1.42 mm² Wire Size, 509 – 3260 CMA Wire Size, PLASTI-GRIP

[View on TE.com >](#)



Terminals & Splices > Ring Terminals & Spade Terminals



Ring & Spade Terminal Type: **Multiple Stud Size Ring Tongue**

Wire Size: **509 – 3260 CMA**

Stud Size: **#10, #6, #8**

Features

Product Type Features

Shape Description	RING-059
Stud Size	#10, #6, #8
Sealable	No
Wire Insulation Support Retention Type	Insulation Support

Configuration Features

Terminal Angle	180 °
----------------	-------

Electrical Characteristics

Voltage (Max)	1000 V, 600 V
---------------	---------------

Body Features

Insulation Sleeve Color	Red
Stripe Color	Red

Contact Features

Ring & Spade Terminal Type	Multiple Stud Size Ring Tongue
Barrel Type	Closed
Terminal Orientation	Offset



Terminal Plating Material	Tin
---------------------------	-----

Mechanical Attachment

Wire Insulation Support	With
-------------------------	------

Dimensions

Wire Size	509 – 3260 CMA
Stud Diameter	3.51 mm, 4.17 mm, 4.83 mm[.191 in]
Tongue Thickness	.79 mm[.031 in]
Overall Product Length	24.61 mm[.969 in]
Accepts Wire Insulation Diameter (Max)	3.18 mm[.125 in]
Accepts Wire Insulation Diameter Range	2.03 – 3.18 mm[.08 – .125 in]

Usage Conditions

Insulation Option	Partially Insulated
Operating Temperature Range	105 °C[221 °F]

Operation/Application

Compatible With Wire Base Material	Copper
Compatible With Wire Plating Material	Tin
Heavy Duty	No

Industry Standards

Government Qualified	No
----------------------	----

Packaging Features

Packaging Quantity	5000
Packaging Method	Tape & Reel

Product Compliance

[For compliance documentation, visit the product page on TE.com>](#)

EU RoHS Directive 2011/65/EU	Compliant
EU ELV Directive 2000/53/EC	Compliant
China RoHS 2 Directive MIIT Order No 32, 2016	No Restricted Materials Above Threshold
EU REACH Regulation (EC) No. 1907/2006	Current ECHA Candidate List: JUNE 2022 (224) Candidate List Declared Against: JAN 2022 (223) SVHC > Threshold: Not Yet Reviewed



Halogen Content Not Low Halogen - contains Br or Cl > 900 ppm.

Solder Process Capability Not applicable for solder process capability

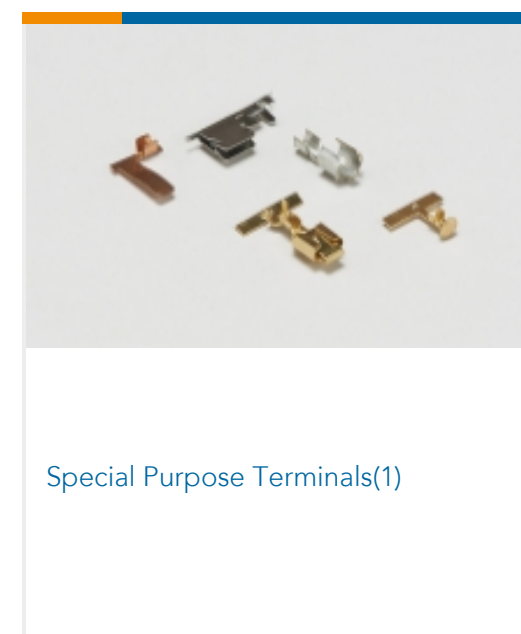
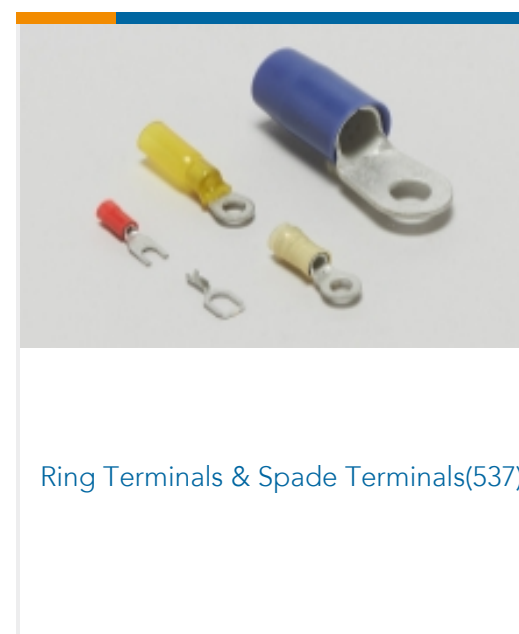
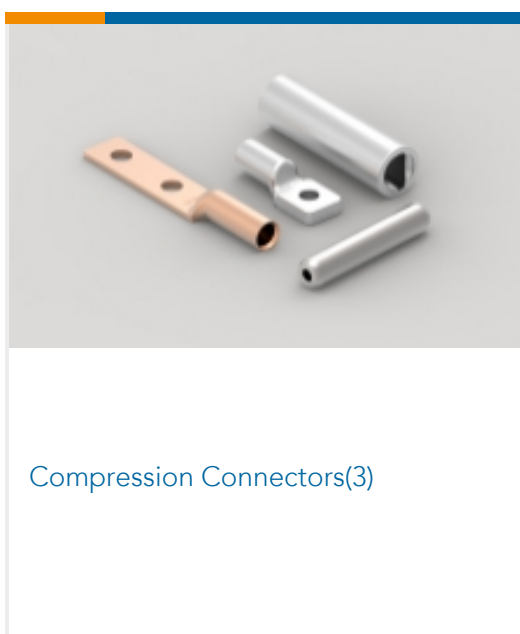
Product Compliance Disclaimer

This information is provided based on reasonable inquiry of our suppliers and represents our current actual knowledge based on the information they provided. This information is subject to change. The part numbers that TE has identified as EU RoHS compliant have a maximum concentration of 0.1% by weight in homogenous materials for lead, hexavalent chromium, mercury, PBB, PBDE, DBP, BBP, DEHP, DIBP, and 0.01% for cadmium, or qualify for an exemption to these limits as defined in the Annexes of Directive 2011/65/EU (RoHS2). Finished electrical and electronic equipment products will be CE marked as required by Directive 2011/65/EU. Components may not be CE marked. Additionally, the part numbers that TE has identified as EU ELV compliant have a maximum concentration of 0.1% by weight in homogenous materials for lead, hexavalent chromium, and mercury, and 0.01% for cadmium, or qualify for an exemption to these limits as defined in the Annexes of Directive 2000/53/EC (ELV). Regarding the REACH Regulation, the information TE provides on SVHC in articles for this part number is based on the latest European Chemicals Agency (ECHA) 'Guidance on requirements for substances in articles' posted at this URL: <https://echa.europa.eu/guidance-documents/guidance-on-reach>

Compatible Parts



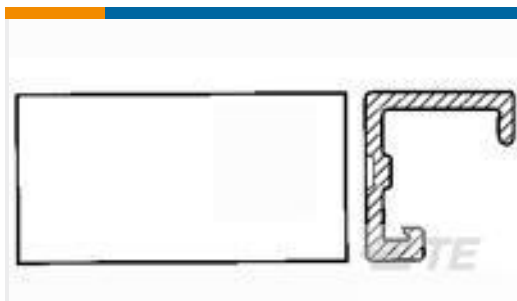
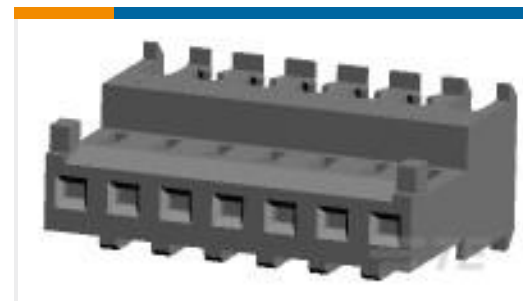
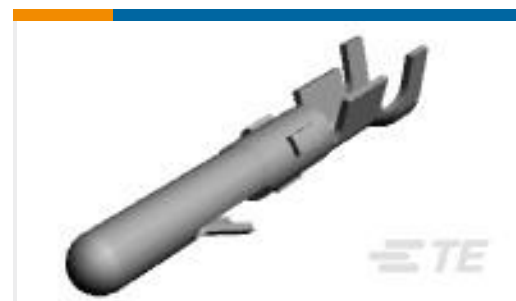
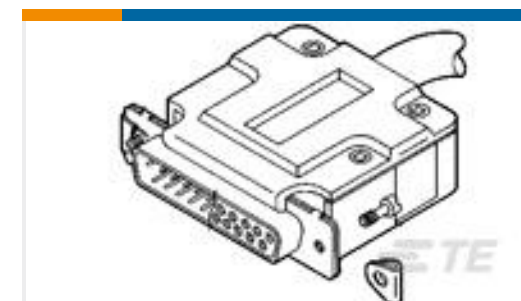
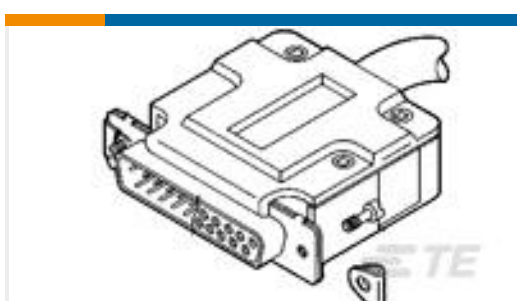
Also in the Series | PLASTI-GRIP





Splices(49)

Customers Also Bought

TE Part #640550-5
05P MTA100 COVERTE Part #3-644540-7
07P MTA100 CONN ASSY F/T POLTE Part #1658537-1
SOCKET CONT DUPL PLT STRIP HD-TE Part #172333-1
MINI UNIVERSAL M-N-L HOUSINGTE Part #770901-1
MINI UMNL PIN 26-22 AWG SNTE Part #770902-1
MINI UMNL SOCK 26-22 AWG SNTE Part #61116-1
CMNL PIN 24-18 PTBRTE Part #5207908-7
STRAIN REL W/SCRW RET KIT,SZ 3TE Part #5207908-1
STRAIN RELIEF W/SCREW RET KITTE Part #2-520261-2
ULTRA-FAST 187 ASY REC 22-18 TPBR

Documents

Product Drawings

[PG R 22-16COM 22-18MIL 6-8-10](#)

English

CAD Files

[3D PDF](#)

[3D](#)

[Customer View Model](#)

[ENG_CVM_CVM_54774-2_D.2d_dxf.zip](#)



English

Customer View Model

[ENG_CVM_CVM_54774-2_D.3d_igs.zip](#)

English

Customer View Model

[ENG_CVM_CVM_54774-2_D.3d_stp.zip](#)

English

Customer View Model

[ENG_CVM_54774-2_B.3d_igs.zip](#)

English

Customer View Model

[ENG_CVM_54774-2_B.3d_stp.zip](#)

English

Customer View Model

[ENG_CVM_54774-2_B.2d_dxf.zip](#)

English

3D PDF

English

By downloading the CAD file I accept and agree to the [Terms and Conditions](#) of use.

Product Specifications

Application Specification

English

Product Environmental Compliance

MD_54774-2_06152016152_dmtec

English

MD_54774-2_06152016152_dmtec

English

Agency Approvals

UL Report

English