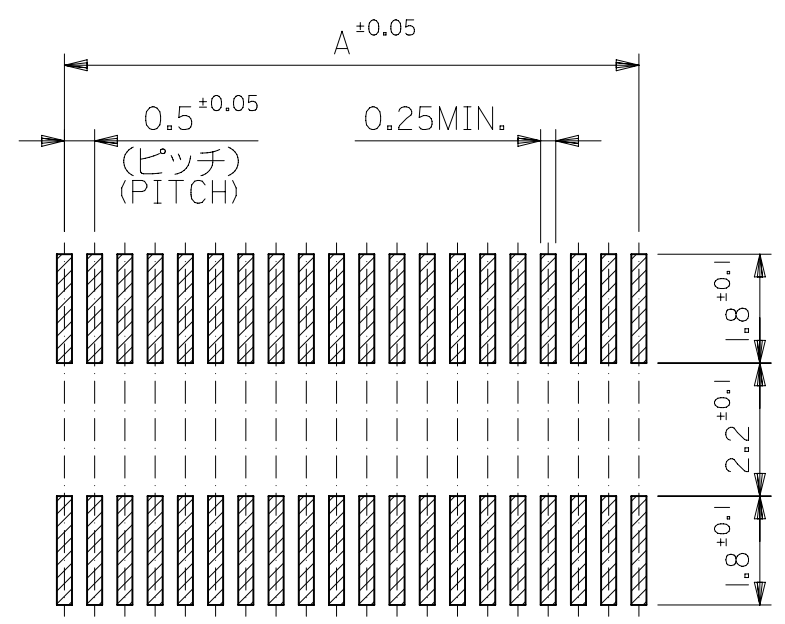
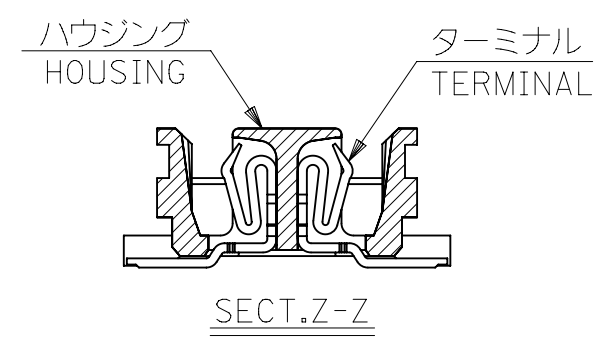


トレードマーク
TRADE MARK

X



参考基板レイアウト (マウント面)
P.C.BOARD PATTERN
DIMENSION. (REF.)
(MOUNTING AREA)

- △ (全極数/2) = 偶数の場合に適用。
APPLY FOR (CIRCUIT/2)=EVEN.
- 5 嵌合相手: 53748 シリーズ 53916 シリーズ 501920 シリーズ
MATE WITH: 53748 SERIES, 53916 SERIES, 501920 SERIES.
- 6 テール平坦度は、0.1MAX.
TAIL COPLANARITY TO BE 0.1MAX.
- △ 肉抜き形状は40極以上に存在。
THESE CORE-OUT EXIST FOR 40 CIRCUIT AND OVER.

注記 NOTES:

1. 使用材料 MATERIAL
ハウジング: LCPガラス入り (白), UL94V-0
HOUSING: LCP(G.F.)(COLOR:WHITE), UL94V-0
ターミナル: リン青銅 (t=0.15)
TERMINAL: PHOSPHOR BRONZE (t=0.15)
2. メッキ仕様 PLATING
全体仕上げ: 金メッキ 0.1 MICROMETER MIN.
ALL OVER: GOLD 0.1 MICROMETER MIN.
下地メッキ: ニッケルメッキ 1.5 MICROMETER MIN.
UNDER PLATING: NICKEL 1.5 MICROMETER MIN.
3. 基準面 X からのソルダーテールの半田付け面のズレ量は、上方向 0 下方向 0.15MAX. とする。
MISALIGNMENT OF SOLDER TAIL FROM X
: UPPER DIRECTION 0, LOWER DIRECTION 0.15 MAX.

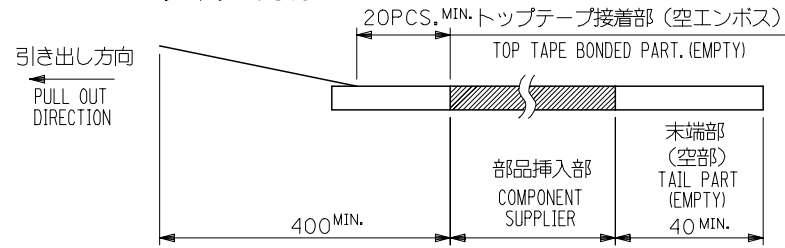
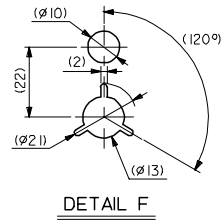
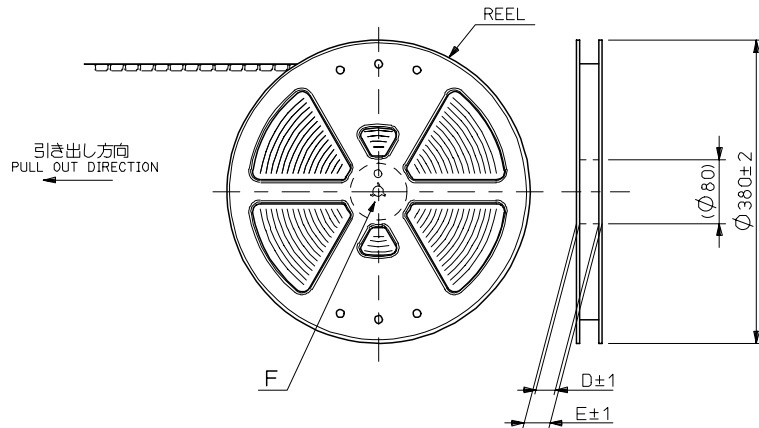
23.8	20.2	19.5	52991-0800	80
21.3	17.7	17.0	-0700	70
18.8	15.2	14.5	-0600	60
16.3	12.7	12.0	-0500	50
13.8	10.2	9.5	-0400	40
11.3	7.7	7.0	-0300	30
8.8	5.2	4.5	52991-0200	20
C	B	A	MATERIAL NO.	極数 CIRCUIT

52991-***0 MODEL NO.

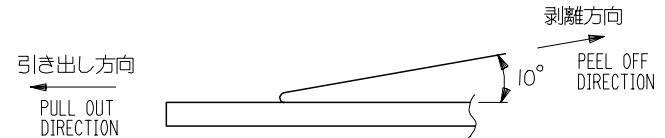
GENERAL TOLERANCES (UNLESS SPECIFIED)		THIS DRAWING CONTAINS INFORMATION THAT IS PROPRIETARY TO MOLEX ELECTRONIC TECHNOLOGIES, LLC AND SHOULD NOT BE USED WITHOUT WRITTEN PERMISSION	
10 UNDER	± 0.2	DIMENSION UNITS	SCALE
10 OVER 30 UNDER	± 0.25	mm	8:1
30 OVER	± 0.3	CURRENT REV DESC: REVISED	
ANGULAR	± 3°	GENERAL TOLERANCES (UNLESS SPECIFIED)	
DRAFT WHERE APPLICABLE MUST REMAIN WITHIN DIMENSIONS		ANGULAR TOL ± 3.0°	EC NO: 614684
		4 PLACES ± 0.2	DRWN: ABABU01 2019/03/28
		3 PLACES ± 0.25	CHK'D: MSASAO 2019/03/29
		2 PLACES ± 0.3	APPR: MSASAO 2019/03/29
		1 PLACE ±	INITIAL REVISION:
		0 PLACES ±	DRWN: NAIDA 2005/08/31
		DRAFT WHERE APPLICABLE MUST REMAIN WITHIN DIMENSIONS	APPR: NUKITA 2005/09/09
		THIRD ANGLE PROJECTION	2005/08/31
		DRAWING	2005/09/09
		SERIES	52991
		MATERIAL NUMBER	SEE CHART
		CUSTOMER	GENERAL MARKET
		SHEET NUMBER	1 OF 1

NOTES

- 製品詳細寸法については図面 SD-52991-004 を参照下さい。
RE DETAILED DIMENSION, SEE SD-52991-004
- 梱包数量：3000個/リール
NUMBER OF CONNECTORS : 3000PCS/REEL
- リードテープ長さ LEAD TAPE LENGTH



- トップテープの剥離強度：0.1N~1.3N (10gf~130gf) (剥離方向は下図参照)
尚、本規格値は出荷時に適用。(但し、輸送時に剥離が発生しないこと。)
PEELING OFF FORCE OF TOP TAPE : 0.1N~1.3N (10gf~130gf)
(PEELING DIRECTION AS SHOWN IN FOLLOWING FIG.)
THIS REQUIREMENT SHOULD BE APPLIED AT SHIPMENT.
PEEL OFF SHOULD NOT BE ALLOWED , DURING TRANSPORTATION.



- 材料 (MATERIAL)
キャリアテープ (CARRIER TAPE) : ポリプロピレン (POLYPROPYLENE)
トップテープ (TOPTAPE) : PET , PE , PEF
リール (REEL) : ポリスチレン (PS) <リサイクル材を含む>
POLYSTYREN (PS) <RECYCLE MATERIAL CONTAINED>

52991-***8 MODEL NO.

REVISED EC NO: J2006-0604 DRW:NAIDA 2005/08/31 CHK:KTOYODA 2005/09/01 APP:NUKITA 2005/09/09	GENERAL TOLERANCES (UNLESS SPECIFIED)		DIMENSION STYLE MM ONLY		SCALE ---	DESIGN UNITS METRIC	THIRD ANGLE PROJECTION
	10 UNDER	± 0.2	DRAWN BY T. NIITSU	DATE '95/10/17	TITLE 0.5 B/B CONN REC HSG ASSY EMBSTP PKG -LEAD FREE-		
	10 OVER 30 UNDER	± 0.25	CHECKED BY T. ITO	DATE '01/01/31	MOLEX INCORPORATED		
	30 OVER	± 0.3	APPROVED BY M. FUKUSHIMA	DATE '01/01/31	DOCUMENT NO. SD-52991-005		
	ANGULAR	± 3 °	MATERIAL NO. SEE CHART		SHEET NO. 1 OF 6		
D	DRAFT WHERE APPLICABLE MUST REMAIN WITHIN DIMENSIONS		SIZE A3		THIS DRAWING CONTAINS INFORMATION THAT IS PROPRIETARY TO MOLEX INCORPORATED AND SHOULD NOT BE USED WITHOUT WRITTEN PERMISSION		

10 9 8 7 6 5 4 3 2 1

F

E

D

C

B

A

F

E

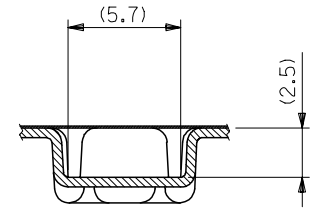
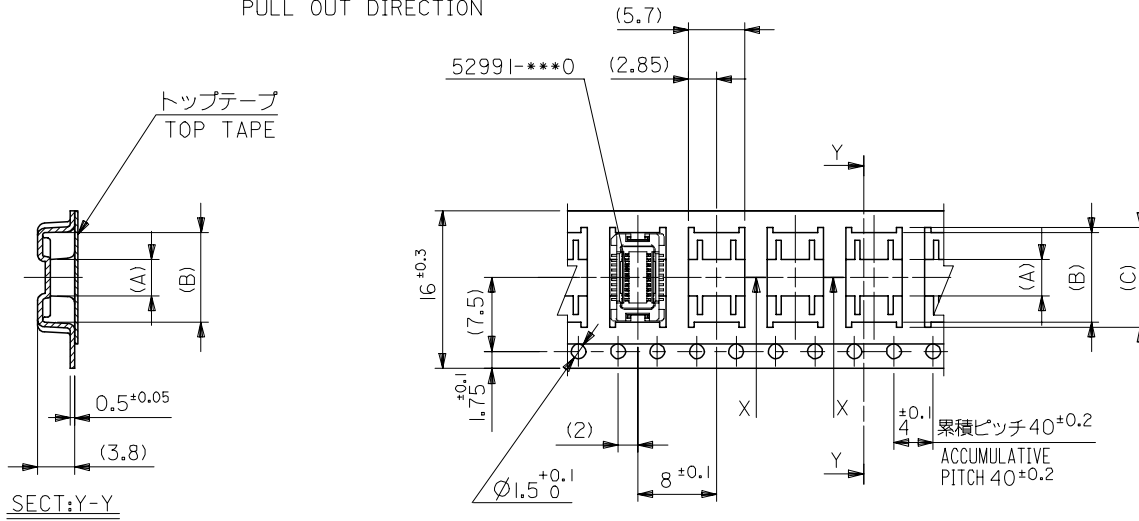
D

C

B

A

引き出し方向
PULL OUT DIRECTION



SECT:X-X
(SCALE 4:1)

16mm幅キャリアテープ
16mm WIDTH CARRIER TAPE

REVISED	EC NO: J2006-0604	2005/08/31	DRWN:NAIDA	2005/09/01	CHKD:KTOYODA	2005/09/09	APPR:NUKITA	DESCRIPTION	52991-***8	MODEL NO.	16	21.4	17.4	10.1	9.1	3.7	52991-0208	20										
D								GENERAL TOLERANCES (UNLESS SPECIFIED)			キャリアテープ幅 CARRIER TAPE WIDTH	E	D	(C)	(B)	(A)	MATERIAL NO.	極数 CKT.										
								10 UNDER ± ---			DIMENSION STYLE MM ONLY		SCALE ---	DESIGN UNITS METRIC		THIRD ANGLE PROJECTION												
								10 OVER 30 UNDER ± ---			DRAWN BY T.NIITSU	DATE '95/10/17	TITLE 0.5 B/B CONN REC HSG ASSY EMBSTP PKG -LEAD FREE-															
								30 OVER ± ---			CHECKED BY T.ITO	DATE '01/01/31	MOLEX INCORPORATED															
								ANGULAR ± --- °			APPROVED BY M.FUKUSHIMA	DATE '01/01/31	DOCUMENT NO. SD-52991-005		SHEET NO. 2 OF 6													
								DRAFT WHERE APPLICABLE MUST REMAIN WITHIN DIMENSIONS			MATERIAL NO. SEE CHART																	
											SIZE A3	THIS DRAWING CONTAINS INFORMATION THAT IS PROPRIETARY TO MOLEX INCORPORATED AND SHOULD NOT BE USED WITHOUT WRITTEN PERMISSION																

9

8

7

6

5

4

3

2

10 9 8 7 6 5 4 3 2 1

F

E

D

C

B

A

F

E

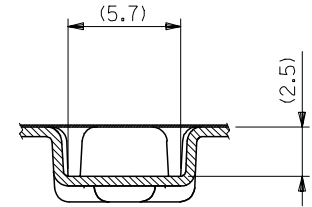
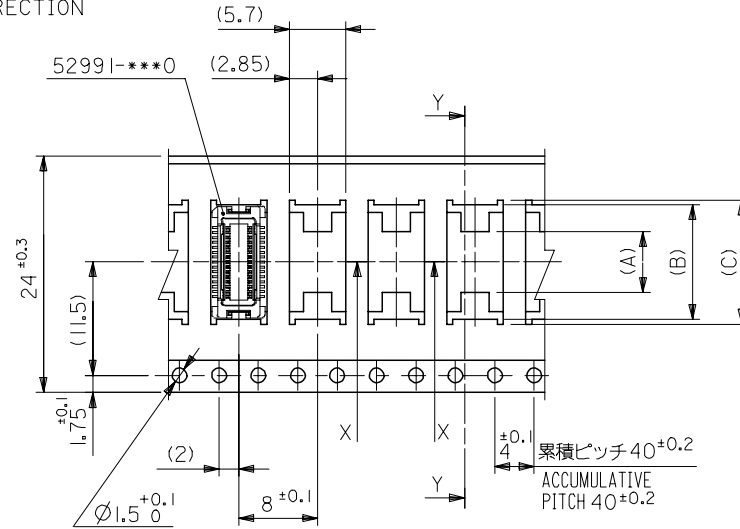
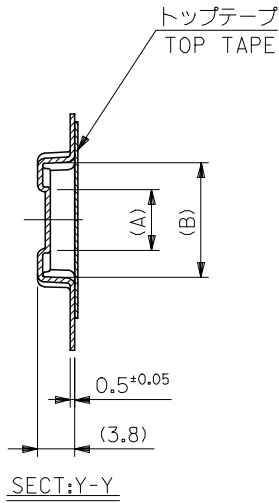
D

C

B

A

引き出し方向
PULL OUT DIRECTION



24mm幅キャリアテープ
24mm WIDTH CARRIER TAPE

24	29.4	25.4	15.1	14.1	7.4	52991-0408	40
			12.6	11.6	4.9	52991-0308	30
キャリアテープ幅 CARRIER TAPE WIDTH	E	D	(C)	(B)	(A)	MATERIAL NO.	極数 CKT.

REVISED EC NO: J2006-0604 DRWN:NAIDA 2005/08/31 CHKD:KTOYODA 2005/09/01 APPR:NUKITA 2005/09/09	DESCRIPTION	52991-***8	MODEL NO.	DIMENSION STYLE MM ONLY		SCALE ---	DESIGN UNITS METRIC	THIRD ANGLE PROJECTION
	GENERAL TOLERANCES (UNLESS SPECIFIED)	10 UNDER ± ---		DRAWN BY S. AIHARA		DATE '96/04/01		TITLE 0.5 B/B CONN REC HSG ASSY EMBSTP PKG -LEAD FREE-
		10 OVER 30 UNDER ± ---		CHECKED BY T. ITO		DATE '01/01/31		MOLEX INCORPORATED
		30 OVER ± ---		APPROVED BY M. FUKUSHIMA		DATE '01/01/31		
	ANGULAR ± --- °	DRAFT WHERE APPLICABLE MUST REMAIN WITHIN DIMENSIONS		MATERIAL NO. SEE CHART		DOCUMENT NO. SD-52991-005		SHEET NO. 3 OF 6
				SIZE A3		THIS DRAWING CONTAINS INFORMATION THAT IS PROPRIETARY TO MOLEX INCORPORATED AND SHOULD NOT BE USED WITHOUT WRITTEN PERMISSION		

9

8

7

6

5

4

3

2

10 9 8 7 6 5 4 3 2 1

F

E

D

C

B

A

F

E

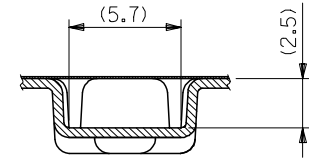
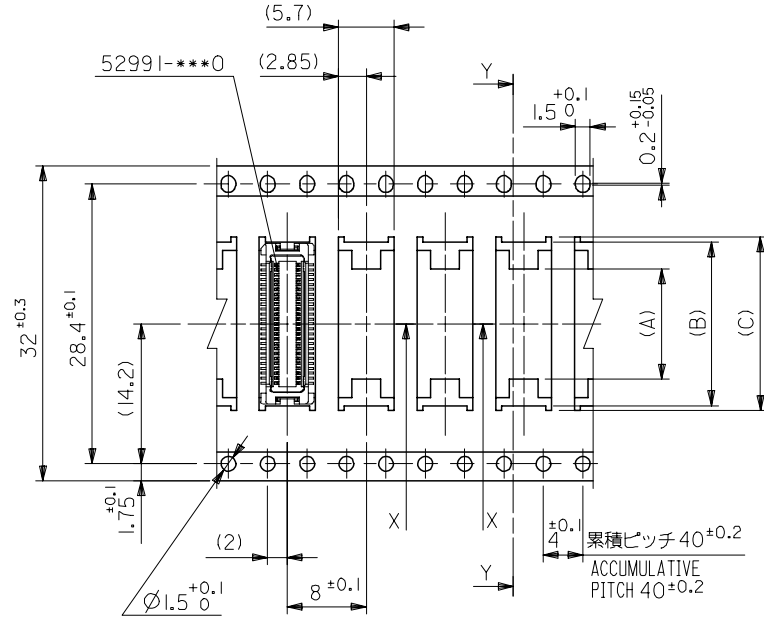
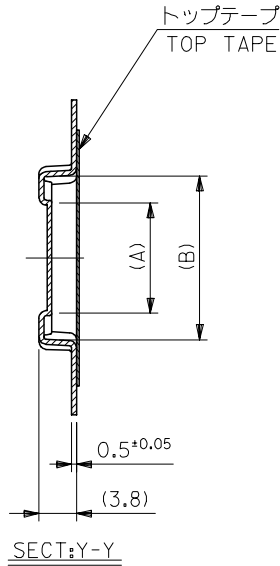
D

C

B

A

引き出し方向
PULL OUT DIRECTION



32mm幅キャリアテープ
32mm WIDTH CARRIER TAPE

32	37.4	33.4	17.6	16.6	11.2	52991-0508	50
キャリアテープ幅 CARRIER TAPE WIDTH	E	D	(C)	(B)	(A)	MATERIAL NO.	極数 CKT.

REVISED EC NO: J2006-0604 DRW:NAIDA 2005/08/31 CHK:KTOYODA 2005/09/01 APPR:NUKITA 2005/09/09	52991-***8 MODEL NO.		DIMENSION STYLE MM ONLY		SCALE ---	DESIGN UNITS METRIC	THIRD ANGLE PROJECTION
	GENERAL TOLERANCES (UNLESS SPECIFIED)		DRAWN BY T. YASUI		DATE '96/04/15		TITLE 0.5 B/B CONN REC HSG ASSY EMBSTP PKG -LEAD FREE-
	10 UNDER	± ---	CHECKED BY T. ITO		DATE '01/01/31		MOLEX INCORPORATED DOCUMENT NO. SD-52991-005 SHEET NO. 4 OF 6
	10 OVER 30 UNDER	± ---	APPROVED BY M. FUKUSHIMA		DATE '01/01/31		
	30 OVER	± ---	MATERIAL NO.		SEE CHART		
ANGULAR ± --- °		DRAFT WHERE APPLICABLE MUST REMAIN WITHIN DIMENSIONS		SIZE A3		THIS DRAWING CONTAINS INFORMATION THAT IS PROPRIETARY TO MOLEX INCORPORATED AND SHOULD NOT BE USED WITHOUT WRITTEN PERMISSION	

9

8

7

6

5

4

3

2

10 9 8 7 6 5 4 3 2 1

F

E

D

C

B

A

F

E

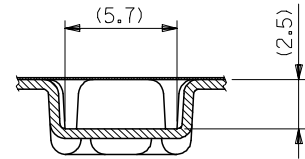
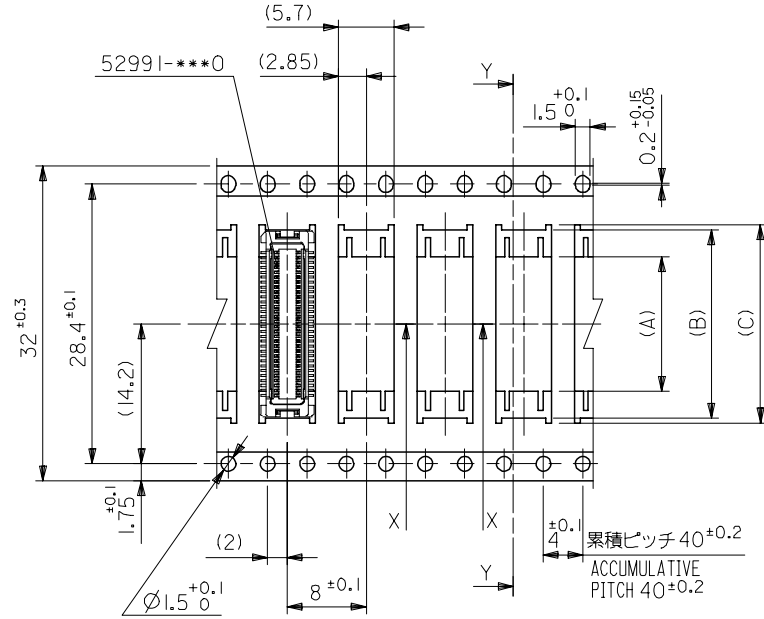
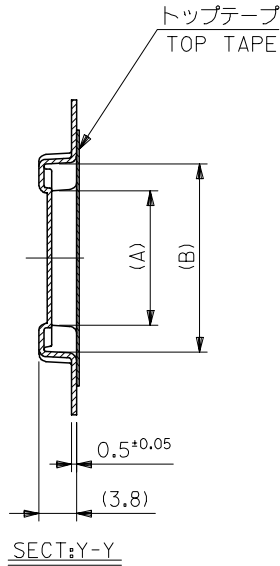
D

C

B

A

引き出し方向
PULL OUT DIRECTION



32mm幅キャリアテープ
32mm WIDTH CARRIER TAPE

REVISED	EC NO: J2006-0604	2005/08/31	DRWN:NAIDA	2005/09/01	CHKD:KTOYODA	2005/09/01	APPR:NUKITA	2005/09/09	DESCRIPTION	52991-***8	MODEL NO.	32	37.4	33.4	20.1	19.1	13.7	52991-0608	60
D									GENERAL TOLERANCES (UNLESS SPECIFIED)			DIMENSION STYLE MM ONLY		SCALE ---	DESIGN UNITS METRIC		THIRD ANGLE PROJECTION		
		10 UNDER		± ---						DRAWN BY S. AIHARA		DATE '96/04/01		TITLE 0.5 B/B CONN REC HSG ASSY EMBSTP PKG -LEAD FREE-					
		10 OVER		30 UNDER		± ---				CHECKED BY T. ITO		DATE '01/01/31		APPROVED BY M. FUKUSHIMA		DATE '01/01/31		MOLEX INCORPORATED	
		30 OVER		± ---				ANGULAR ± --- °		MATERIAL NO.		DOCUMENT NO. SD-52991-005		SHEET NO. 5 OF 6					
		DRAFT WHERE APPLICABLE MUST REMAIN WITHIN DIMENSIONS		SEE CHART															
		SIZE A3		THIS DRAWING CONTAINS INFORMATION THAT IS PROPRIETARY TO MOLEX INCORPORATED AND SHOULD NOT BE USED WITHOUT WRITTEN PERMISSION															

9

8

7

6

5

4

3

2

10 9 8 7 6 5 4 3 2 1

F

E

D

C

B

A

F

E

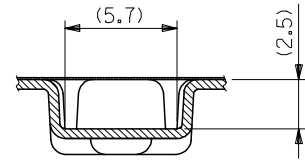
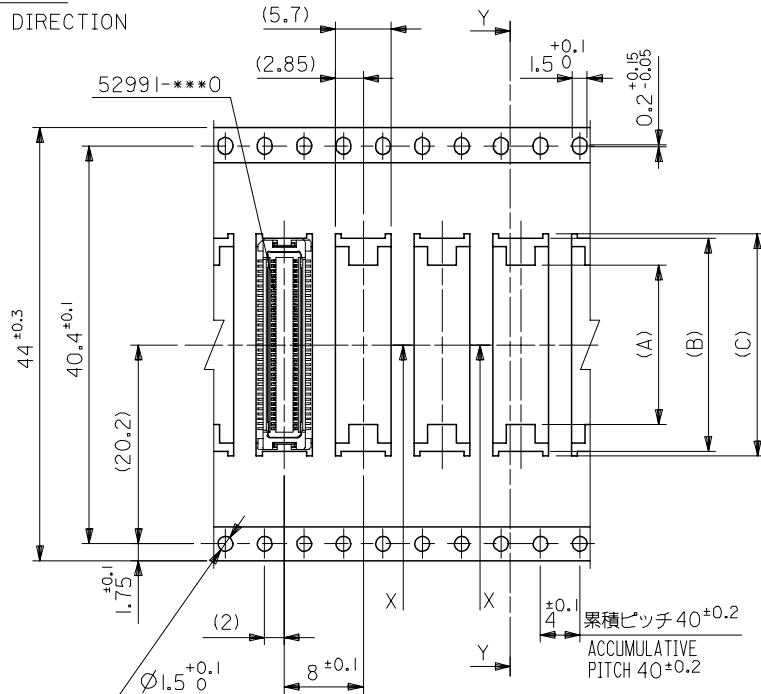
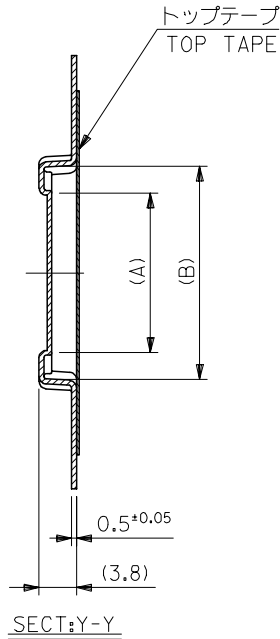
D

C

B

A

引き出し方向
PULL OUT DIRECTION



SECT:X-X
(SCALE 4:1)

44mm幅キャリアテープ
44mm WIDTH CARRIER TAPE

44	49.4	45.4	25.1	24.1	18.7	52991-0808	80
			22.6	21.6	16.2	52991-0708	70
キャリアテープ幅 CARRIER TAPE WIDTH	E	D	(C)	(B)	(A)	MATERIAL NO.	極数 CKT.

REVISED EC NO: J2006-0604 DRW:NAIDA 2005/08/31 CHK:KTOYODA 2005/09/01 APP:NUKITA 2005/09/09	DESCRIPTION	52991-***8	MODEL NO.	DIMENSION STYLE	SCALE	DESIGN UNITS	THIRD ANGLE PROJECTION
	GENERAL TOLERANCES (UNLESS SPECIFIED)			MM ONLY	---	METRIC	
	10 UNDER ± ---			DRAWN BY	DATE	TITLE	
	10 OVER 30 UNDER ± ---			T. YASUI	'96/04/15	0.5 B/B CONN REC HSG ASSY EMBSTP PKG -LEAD FREE-	
30 OVER ± ---			CHECKED BY	DATE			
ANGULAR ± --- °			T. ITO	'01/01/31			
DRAFT WHERE APPLICABLE MUST REMAIN WITHIN DIMENSIONS			APPROVED BY	DATE			
			M. FUKUSHIMA	'01/01/31			
			MATERIAL NO.	DOCUMENT NO.		SHEET NO.	
			SEE CHART	SD-52991-005		6 OF 6	
			SIZE	THIS DRAWING CONTAINS INFORMATION THAT IS PROPRIETARY TO MOLEX INCORPORATED AND SHOULD NOT BE USED WITHOUT WRITTEN PERMISSION			
			A3				

9

8

7

6

5

4

3

2