

PLEASE CHECK WWW.MOLEX.COM FOR LATEST PART INFORMATION

Part Number: [0511181605](#)
Status: **Active**
Description: 4.00mm Wire-to-Wire Terminal Position Assurance (TPA) Retainer, 16 Circuits

Documents:

3D Model	Product Specification PS-51115-001 (PDF)
Drawing (PDF)	Application Specification AS-51115-001-007 (PDF)
3D Model (PDF)	RoHS Certificate of Compliance (PDF)

General

Product Family	Accessories
Series	51118
Component Type	Terminal Position Assurance
Product Name	N/A
UPC	800754237024

Physical

Circuits (Loaded)	16
Circuits (maximum)	16
Color - Resin	Gray
Material - Resin	Polyester
Net Weight	773.000/mg
Packaging Type	Bag

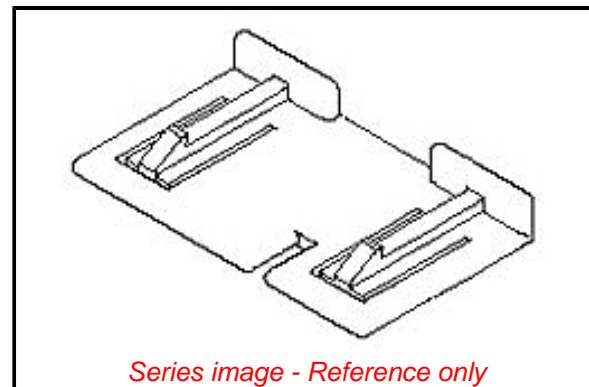
Solder Process Data

Lead-freeProcess Capability	N/A
-----------------------------	-----

Material Info

Reference - Drawing Numbers

Application Specification	AS-51115-001-007
Product Specification	PS-51115-001
Sales Drawing	SD-51118-XX0X



EU ELV

Compliant

EU RoHS

Compliant

REACH SVHC

Not Contained Per -
D(2020)4578-DC (25
June 2020)

Halogen-Free

Status

Not Low-Halogen

For more information, please visit [Contact US](#)

China ROHS

ELV

RoHS Phthalates

China RoHS

Green Image

Compliant

Not Contained

Search Parts in this Series

[51118 Series](#)