

12.5	11.5	14.1	51281-2410	24
9.5	8.5	11.1	-1810	18
8.5	7.5	10.1	-1610	16
7.5	6.5	9.1	-1410	14
6.5	5.5	8.1	-1210	12
5.5	4.5	7.1	-1010	10
5.0	4.0	6.6	-0910	9
4.5	3.5	6.1	-0810	8
3.5	2.5	5.1	-0610	6
3.0	2.0	4.6	51281-0510	5
C	B	A	MATERIAL NO.	CIRCUIT

EC NO. DRWN: CHK: APPR:	REVISED '03/09/05 EC NO. J2004-0441 DRWN: M.HAYASHI CHK: S.KUNISHI APPR: T.YAMAGUCHI	REVISED '02/08/09 EC NO. J2003-0421 DRWN: M.HAYASHI CHK: S.KUNISHI APPR: T.YAMAGUCHI	RELEASED '02/07/29 EC NO. J2003-0264 DRWN: M.HAYASHI CHK: S.KUNISHI APPR: T.YAMAGUCHI
B	A	0	

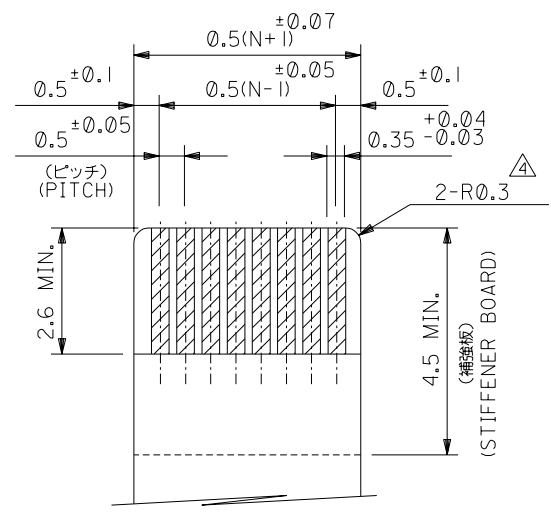
MATERIAL 材料	注記参照 SEE CHART
FINISH 仕上り	注記参照 SEE CHART
WIRE RANGE 適用線径範囲	
INS. RANGE 被覆外径	

GENERAL TOLERANCES: (UNLESS SPECIFIED) 一般公差	SCALE 1/1	DESIGN UNITS <input checked="" type="checkbox"/> mm <input type="checkbox"/> INCH	THIRD ANGLE PROJECTION <input checked="" type="checkbox"/> <input type="checkbox"/>	DIMENSIONS: <input type="checkbox"/> mm <input type="checkbox"/> INCH <input checked="" type="checkbox"/> mm ONLY	SHT REV
10 UNDER 未満	±0.2				
10 OVER 30 UNDER 以上 未満	±0.25				
30 OVER 以上	±0.3				
ANGLE 角度	±3°				

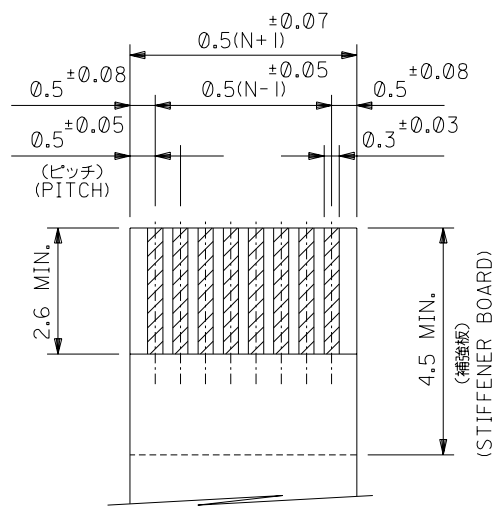
DRAWN BY & DATE M.HAYASHI '02/07/29	TITLE: 0.5 FPC Conn NON-ZIF Hsg Assy (Hgt=1.2mm)
CHECKED BY & DATE S.KUNISHI '03/09/05	
APPROVED BY & DATE T.YAMAGUCHI '03/09/05	
CAD FILENAME SD-51281-007.S01	MATERIAL NO. SEE CHART
	DRAWING NO. SD-51281-007
	SHEET NO. 1 OF 2
THIS DRAWING CONTAINS INFORMATION THAT IS PROPRIETARY TO MOLEX INCORPORATED AND SHOULD NOT BE USED WITHOUT WRITTEN PERMISSION.	
	SIZE B

DWG. NO. SD-51281-007

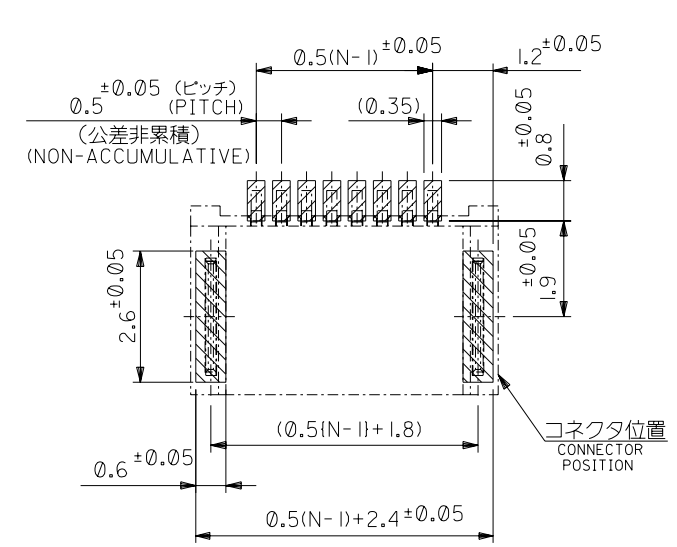
8 7 6 5 4 3 2 1



適合FPC推奨寸法
APPLICABLE FPC
RECOMMENDED DIMENSION
(仕上がり厚さ: 0.3±0.03)
(THICKNESS: 0.3±0.03)



適合FFC推奨寸法
APPLICABLE FFC
RECOMMENDED DIMENSION
(仕上がり厚さ: 0.3±0.03)
(THICKNESS: 0.3±0.03)



参考基板レイアウト図
RECOMMENDED P.C. BOARD LAYOUT
(マウント面)
(MOUNTING SIDE)

注記 NOTES

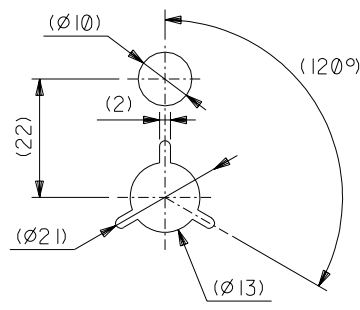
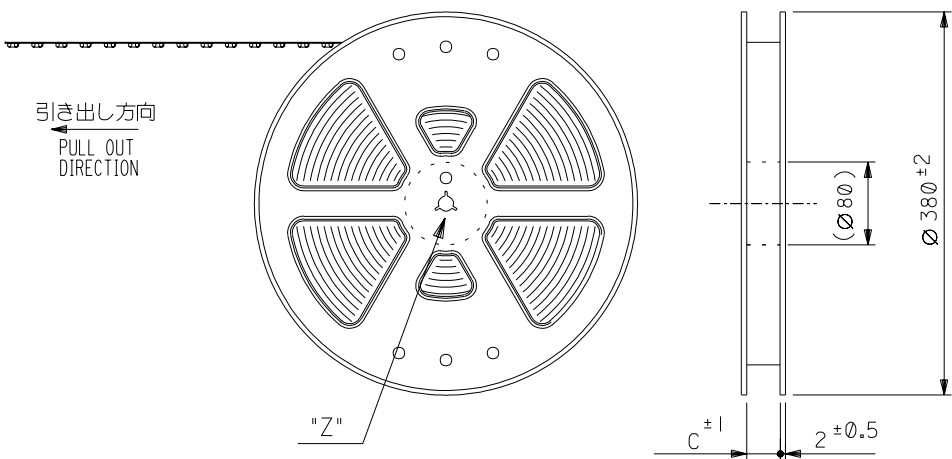
1. 使用材料 MATERIAL
 ハウジング : 液晶ポリマー ガラス充填 UL94V-0
 HOUSING : LIQUID CRYSTAL POLYMER (GLASS FILLED) UL94V-0
 ターミナル : リン青銅 (t=0.2), ニッケル下地鍍—銅メッキ
 TERMINAL : PHOSPHOR-BRONZE, Sn-COPPER OVER NICKEL PLATING.
 金具 : リン青銅 (t=0.25), ニッケル下地鍍—銅メッキ
 FITTING NAIL : PHOSPHOR-BRONZE, Sn-COPPER OVER NICKEL PLATING.
- △ ソルダーテール半田付け面のズレ量、及び金具半田付け面のズレ量は、基準面 □ に対し、
 上方向 0.1MAXIMUM 下方向 0.15MAXIMUM とする。
 又、相互のバラツキ量は 0.1MAXIMUM とする。
 MISALIGNMENT OF SOLDER TAILS AND FITTING NAILS FROM □
 UPPER DIRECTION : 0.1 MAXIMUM, LOWER DIRECTION : 0.15 MAXIMUM.
 OFFSET BETWEEN SOLDER TAILS AND FITTING NAILS : 0.1 MAXIMUM.
- △ 偶数極に適用。
 TO BE APPLIED ONLY WHEN ALL CIRCUIT ARE EVEN.
- △ R.O. 3は、FPCの導体部にかからないこと。
 R.O.3 MUST NOT BE OVERLAPPED TO PATTERN OF FPC.

- FPC/FFCについて:
 打抜き方向は導体側から補強板側を推奨いたします。
 導体部については軟銅箔35µmまたは50µm
 メッキ厚 3 ~ 9 µm 錫または半田メッキ (電気メッキ)
 を推奨いたします。
 RECOMMENDED PUNCHER DIRECTION :
 FROM CONDUCTOR SIDE TO STIFFENER BOARD SIDE.
 RECOMMENDED CONDUCTOR SPEC :
 THICKNESS OF SOFT COPPER FOIL : 35 µm or 50 µm
 TIN OR SOLDER PLATING : 3 ~ 9 µm (ELECTRICAL PLATING)

DO NOT SCALE DRAWING

EC NO. DRWN: CHK: APPR:	EC NO. DRWN: CHK: APPR:	REVISED '03/09/05 EC NO. J2004-0441 DRWN: M.HAYASHI CHK: S.KUNISHI APPR: T.YAMAGUCHI	REVISED '02/08/09 EC NO. J2003-0421 DRWN: M.HAYASHI CHK: S.KUNISHI APPR: T.YAMAGUCHI	RELEASED '02/07/29 EC NO. J2003-0264 DRWN: M.HAYASHI CHK: S.KUNISHI APPR: T.YAMAGUCHI	DESCRIPTION MATERIAL 材料 注記参照 SEE CHART FINISH 仕上げ 注記参照 SEE CHART WIRE RANGE 適用層線範囲 ANGLE 角度	GENERAL TOLERANCES: (UNLESS SPECIFIED) 一般公差 10 UNDER 未満 ±0.2 10 OVER 以上 30 UNDER 未満 ±0.25 30 OVER 以上 ±0.3	SCALE 1/1 DESIGN UNITS 一般公差 mm □ INCH THIRD ANGLE PROJECTION DRAWN BY & DATE M.HAYASHI '02/07/29 CHECKED BY & DATE S.KUNISHI '03/09/05 APPROVED BY & DATE T.YAMAGUCHI '03/09/05 CAD FILENAME SD-51281-007.S02	MODEL NO. DIMENSIONS: mm □ INCH mm ONLY TITLE: 0.5 FPC Conn NON-ZIF Hsg Assy (Hgt=1.2mm) MOLEX INCORPORATED	SHT 2 REV 2 REVISE ON CAD ONLY	MATERIAL NO. DRAWING NO. SD-51281-007	SHEET NO. 2 OF 2	SIZE B
----------------------------------	----------------------------------	--	--	---	---	--	--	--	--------------------------------------	---	---------------------	--------

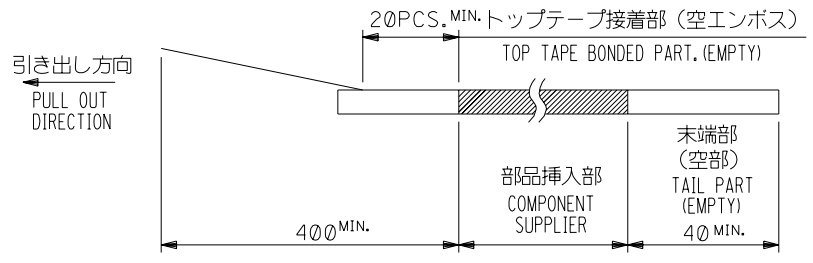
SD-51281-007.1.S02



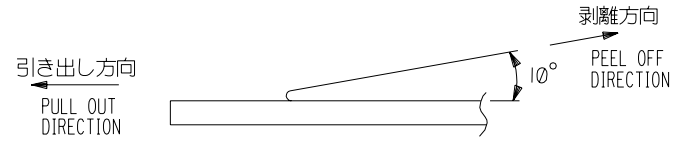
DETAIL "Z"

NOTES

- 製品詳細寸法については図面 SD-51281-007 を参照下さい。
RE DETAILED DIMENSION, SEE SD-51281-007
- 梱包数量：3000個/リール
NUMBER OF CONNECTORS：3000PCS/REEL
- リードテープ長さ LEAD TAPE LENGTH



- トップテープの剥離強度：0.1N ~ 0.7N(10.2gf ~ 71.4gf)
(剥離方向は下図参照)
尚、本規格値は出荷時に適用。(但し、輸送時に剥離が発生しないこと。)
PEELING OFF FORCE OF TOP TAPE：0.1N ~ 0.7N(10.2gf ~ 71.4gf)
(PEELING DIRECTION AS SHOWN IN FOLLOWING FIG.)
THIS REQUIREMENT SHOULD BE APPLIED AT SHIPMENT.
PEEL OFF SHOULD NOT BE ALLOWED, DURING TRANSPORTATION.

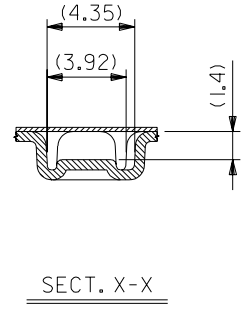
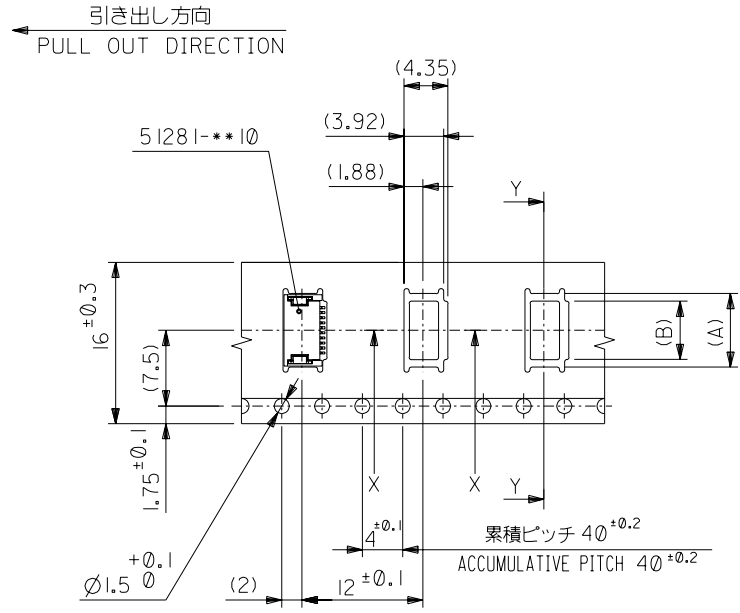
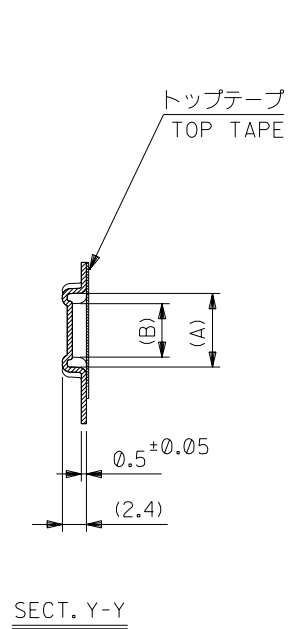


- 材料(MATERIAL)
キャリアテープ(CARRIER TAPE)：ポリプロピレン(POLYPROPYLENE)
トップテープ(TOPTAPE)：PET, PE, PEF
リール(REEL)：ポリスチレン(PS) <リサイクル材含む>
POLYSTYREN (PS) <RECYCLE MATERIAL 材含む>
- C寸法は SHEET 2 ~ 4 を参照下さい。
SEE SHEET 2 ~ 4 (DIMENSION C).

DO NOT SCALE DRAWING

EC NO. DRAWN: CHK'g: APPR:	EC NO. DRAWN: CHK'g: APPR:	REVISED '03/09/05	MATERIAL 材料	GENERAL TOLERANCES: (UNLESS SPECIFIED) 一般公差	51281-**-90		MODEL NO.	DIMENSIONS:		SHT	REV
		EC NO. J2004-0441 DRAWN: M.HAYASHI CHK'g: S.KUNISHI APPR: T.YAMAGUCHI			FINISH 仕上げ	SCALE	DESIGN UNITS	THIRD ANGLE PROJECTION	mm INCH	mm INCH	mm ONLY
B	A	REVISED '02/08/09	注記参照 SEE CHART	10 UNDER 未満	±0.2	DRAWN BY & DATE M.HAYASHI '02/07/29		TITLE: 0.5 FPC Conn NON-ZIF (Hg+=1.2mm) Embstp Pkg			
		EC NO. J2003-0421 DRAWN: M.HAYASHI CHK'g: S.KUNISHI APPR: T.YAMAGUCHI			10 OVER 30 UNDER 未満	±0.25	CHECKED BY & DATE S.KUNISHI '03/09/05				
0	0	RELEASED '02/07/29	注記参照 SEE CHART	30 OVER 以上	±0.3	APPROVED BY & DATE T.YAMAGUCHI '03/09/05		MOLEX INCORPORATED			
		EC NO. J2003-0264 DRAWN: M.HAYASHI CHK'g: S.KUNISHI APPR: T.YAMAGUCHI		ANGLE 角度	±3°	CAD FILENAME SD-51281-008.S01	MATERIAL NO. SEE CHART				
INS. RANGE 被覆外径				THIS DRAWING CONTAINS INFORMATION THAT IS PROPRIETARY TO MOLEX INCORPORATED AND SHOULD NOT BE USED WITHOUT WRITTEN PERMISSION.				SIZE B		EN-02J(097) MXJ-54	

SD-51281-008.S01



16mm幅キャリアテープ
16mm WIDTH CARRIER TAPE

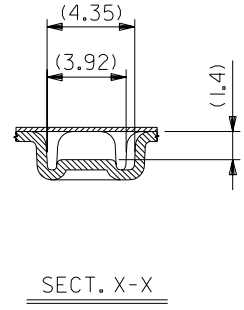
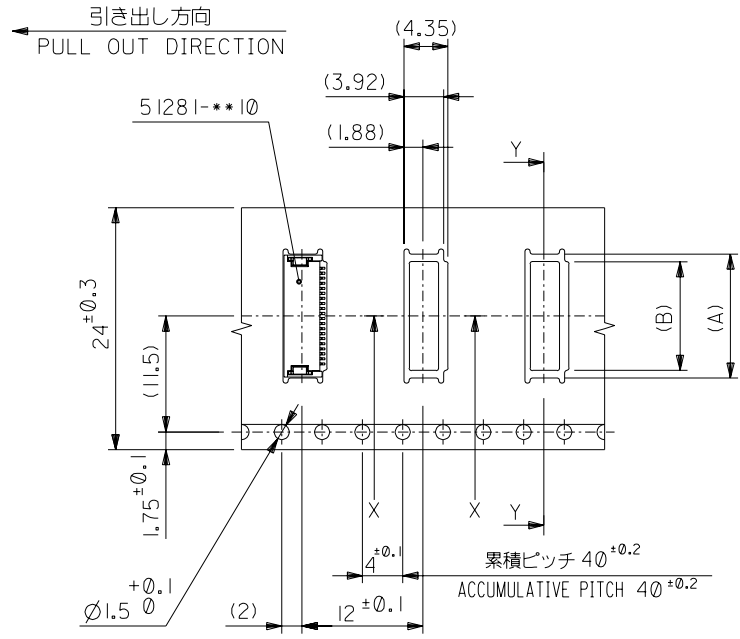
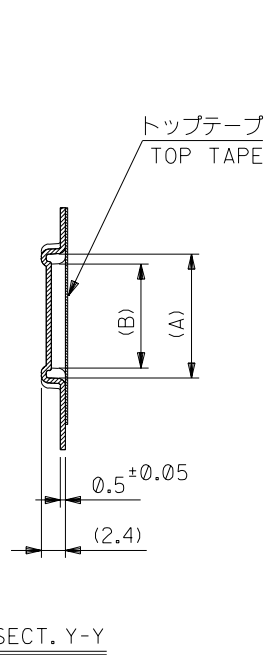
16	17.5	4.3	6.3	51281-0890	8
		3.3	5.3	51281-0690	6
		2.8	4.8	51281-0590	5
キャリアテープ幅 CARRIER TAPE WIDTH	C	(B)	(A)	製品番号 MATERIAL No.	極数 Ck+
51281-***90	MODEL NO.	DIMENSIONS:		SHT	REV
SCALE	DESIGN UNITS	<input type="checkbox"/> mm	<input type="checkbox"/> INCH	<input checked="" type="checkbox"/> mm ONLY	REVISE ON CAD ONLY

EC NO.	REVISED '03/09/05
DRWN: M.HAYASHI	EC NO. J2004-0441
CHK: S.KUNISHI	DRWN: M.HAYASHI
APPR: T.YAMAGUCHI	CHK: S.KUNISHI
	APPR: T.YAMAGUCHI
	REVISED '02/08/09
	EC NO. J2003-0421
	DRWN: M.HAYASHI
	CHK: S.KUNISHI
	APPR: T.YAMAGUCHI
	RELEASED '02/07/29
	EC NO. J2003-0264
	DRWN: M.HAYASHI
	CHK: S.KUNISHI
	APPR: T.YAMAGUCHI
DESCRIPTION	
MATERIAL 材料	SHEET 1 OF 4 参照 REFER TO SHEET 1 OF 4
FINISH 仕上げ	//
WIRE RANGE 適用層線範囲	//
INS. RANGE 被覆外径	//
REV	

GENERAL TOLERANCES: (UNLESS SPECIFIED) 一般公差		
10 UNDER 未満	±0.2	
10 OVER 以上	30 UNDER 未満	±0.25
30 OVER 以上		±0.3
ANGLE 角度		±3°
DRAWN BY & DATE M.HAYASHI '02/07/29		TITLE: 0.5 FPC Conn NON-ZIF (Hg+=1.2mm) Embstp Pkg
CHECKED BY & DATE S.KUNISHI '03/09/05		
APPROVED BY & DATE T.YAMAGUCHI '03/09/05		MOLEX INCORPORATED
CAD FILENAME SD-51281-008.S02		
MATERIAL NO.	DRAWING NO.	
SEE CHART	SD-51281-008	SHEET NO. 2 OF 3

THIS DRAWING CONTAINS INFORMATION THAT IS PROPRIETARY TO MOLEX INCORPORATED AND SHOULD NOT BE USED WITHOUT WRITTEN PERMISSION.

SIZE B



24mm幅キャリアテープ
24mm WIDTH CARRIER TAPE

24	25.5	12.3	14.3	51281-2490	24		
		9.3	11.3	51281-1890	18		
		8.3	10.3	51281-1690	16		
		7.3	9.3	51281-1490	14		
		6.3	8.3	51281-1290	12		
		5.3	7.3	51281-1090	10		
		4.8	6.8	51281-0990	9		
キャリアテープ幅 CARRIER TAPE WIDTH		C	(B)	(A)	製品番号 MATERIAL No.	極数 Ck+	
51281-**-90		MODEL NO.		DIMENSIONS:		SHT	REV
SCALE	DESIGN UNITS	THIRD ANGLE PROJECTION		mm INCH		mm ONLY	
10 UNDER 未満	±0.2	☉		mm INCH		REVISION ON CAD ONLY	

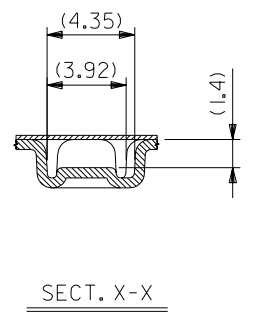
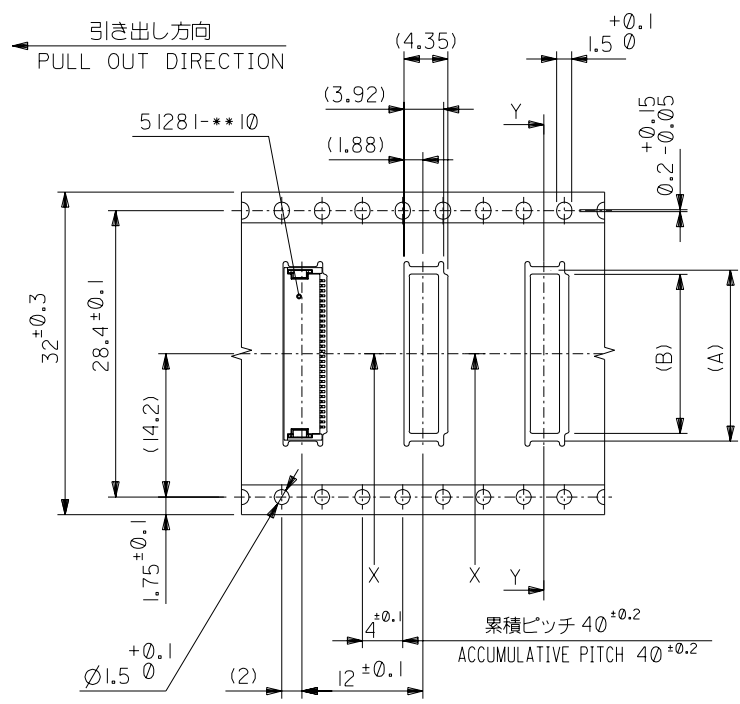
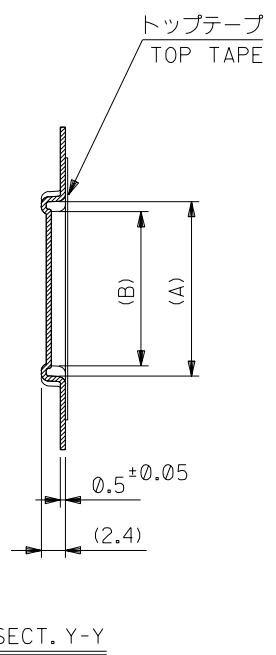
EC NO.	REVISED '03/09/05
DRWN: M.HAYASHI	EC NO. J2004-0441
CHK: S.KUNISHI	DRWN: M.HAYASHI
APPR: T.YAMAGUCHI	CHK: S.KUNISHI
	APPR: T.YAMAGUCHI
EC NO.	REVISED '02/08/09
DRWN: M.HAYASHI	EC NO. J2003-0421
CHK: S.KUNISHI	DRWN: M.HAYASHI
APPR: T.YAMAGUCHI	CHK: S.KUNISHI
	APPR: T.YAMAGUCHI
EC NO.	RELEASED '02/07/29
DRWN: M.HAYASHI	EC NO. J2003-0264
CHK: S.KUNISHI	DRWN: M.HAYASHI
APPR: T.YAMAGUCHI	CHK: S.KUNISHI
	APPR: T.YAMAGUCHI
REV	DESCRIPTION
1	MATERIAL 材料
2	FINISH 仕上げ
3	WIRE RANGE 適用層線範囲
4	INS. RANGE 被覆外径

SHEET 1 OF 4 参照 REFER TO SHEET 1 OF 4	
10 UNDER 未満	±0.2
10 OVER 以上	±0.25
30 UNDER 未満	±0.25
30 OVER 以上	±0.3
ANGLE 角度	±3°

GENERAL TOLERANCES: (UNLESS SPECIFIED) 一般公差	SCALE	DESIGN UNITS	THIRD ANGLE PROJECTION
	1:1	mm INCH	☉
		mm ONLY	☐
			☒
			☑

DRAWN BY & DATE M.HAYASHI '02/07/29	TITLE: 0.5 FPC Conn NON-ZIF (Hg+=1.2mm) Embstp Pkg
CHECKED BY & DATE S.KUNISHI '03/09/05	
APPROVED BY & DATE T.YAMAGUCHI '03/09/05	
CAD FILENAME SD-51281-008.S03	
MATERIAL NO.	DRAWING NO.
SEE CHART	SD-51281-008
SHEET NO.	3 OF 3
THIS DRAWING CONTAINS INFORMATION THAT IS PROPRIETARY TO MOLEX INCORPORATED AND SHOULD NOT BE USED WITHOUT WRITTEN PERMISSION.	
SIZE	B

DWG. NO. SD-51281-008



32mm幅キャリアテープ
32mm WIDTH CARRIER TAPE

32	33.5	15.3	17.3	51281-3090	30
キャリアテープ幅 CARRIER TAPE WIDTH			C	(B)	(A)
51281-**90			MODEL NO.		DIMENSIONS:
SCALE	DESIGN UNITS	THIRD ANGLE PROJECTION		mm INCH	SHT
1/1	mm INCH	mm ONLY		REV	REVISION

EC NO.	REVISED '02/08/09
DRWN: CH'K: APPR:	EC NO. J2003-0421
EC NO.	DRWN: M.HAYASHI
DRWN: CH'K: APPR:	S.KUNISHI
EC NO.	APPR: T.YAMAGUCHI
DRWN: CH'K: APPR:	RELEASED '02/07/29
DRWN: M.HAYASHI	EC NO. J2003-0264
S.KUNISHI	DRWN: M.HAYASHI
T.YAMAGUCHI	CH'K: S.KUNISHI
	APPR: T.YAMAGUCHI

MATERIAL 材料	SHEET 1 OF 4 参照 REFER TO SHEET 1 OF 4
FINISH 仕上げ	//
WIRE RANGE 適用層線範囲	//
INS. RANGE 被覆外径	//

GENERAL TOLERANCES: (UNLESS SPECIFIED) 一般公差	
10 UNDER 未満	±0.2
10 OVER 以上 30 UNDER 未満	±0.25
30 OVER 以上	±0.3
ANGLE 角度	±3°

DRAWN BY & DATE M.HAYASHI '02/07/29	TITLE: 0.5 FPC Conn NON-ZIF (Hg+=1.2mm) Embstp Pkg
CHECKED BY & DATE S.KUNISHI '02/08/09	MOLEX INCORPORATED
APPROVED BY & DATE T.YAMAGUCHI '02/08/09	
CAD FILENAME SD-51281-008.S04	MATERIAL NO. SEE CHART
DRAWING NO. SD-51281-008	
SHEET NO. 4 OF 4	

THIS DRAWING CONTAINS INFORMATION THAT IS PROPRIETARY TO MOLEX INCORPORATED AND SHOULD NOT BE USED WITHOUT WRITTEN PERMISSION.

DO NOT SCALE DRAWING

8 7 6 5 4 3 2 1

F

D

C

B

F

E

D

C

B

SD-51281-008.S04