

52267-1 ✓ ACTIVE

PLASTI-GRIP

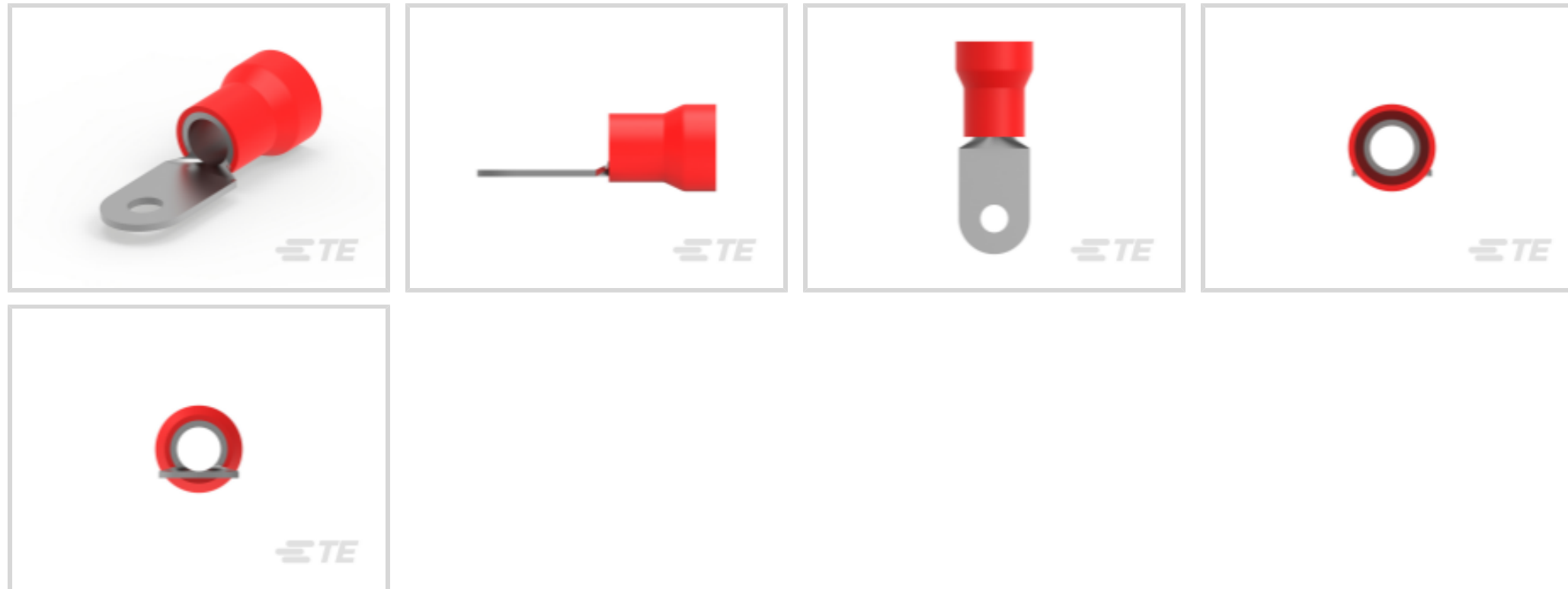
TE Internal #: 52267-1

Ring Terminals & Spade Terminals, Ring Tongue, 2 AWG Wire Size,
34 – 35 mm² Wire Size, 52600 – 83700 CMA Wire Size, Stud Size M6,
PLASTI-GRIP

[View on TE.com >](#)



Terminals & Splices > Ring Terminals & Spade Terminals



Ring & Spade Terminal Type: **Ring Tongue**

Wire Size: **52600 – 83700 CMA**

Stud Size: **M6**

Features

Product Type Features

Shape Description	RING-044
Stud Size	M6
Sealable	No
Wire Insulation Support Retention Type	Insulation Support

Configuration Features

Number of Holes	1
Terminal Angle	180 °

Electrical Characteristics

Voltage (Max)	600 V
---------------	-------

Body Features

Inspection Slot	No
Insulation Sleeve Color	Red
Stripe Color	Red

Contact Features

Ring & Spade Terminal Type	Ring Tongue
----------------------------	-------------



Barrel Type	Closed
-------------	--------

Terminal Orientation	Straight
----------------------	----------

Terminal Plating Material	Tin
---------------------------	-----

Mechanical Attachment

Wire Insulation Support	With
-------------------------	------

Dimensions

Wire Size	52600 – 83700 CMA
-----------	-------------------

Stud Diameter	6.35 mm[.25 in]
---------------	-----------------

Tongue Thickness	.79 mm[.031 in]
------------------	-----------------

Overall Product Length	52.6 mm[2.071 in]
------------------------	-------------------

Accepts Wire Insulation Diameter (Max)	14.22 mm[.56 in]
--	------------------

Accepts Wire Insulation Diameter Range	14.22 mm[.56 in]
--	------------------

Usage Conditions

Insulation Option	Partially Insulated
-------------------	---------------------

Operating Temperature Range	105 °C[221 °F]
-----------------------------	----------------

Operation/Application

Compatible With Wire Base Material	Copper
------------------------------------	--------

Compatible With Wire Plating Material	Tin
---------------------------------------	-----

Heavy Duty	No
------------	----

Industry Standards

Government Qualified	No
----------------------	----

Packaging Features

Packaging Quantity	50
--------------------	----

Packaging Method	Loose Piece
------------------	-------------

Product Compliance

[For compliance documentation, visit the product page on TE.com>](#)

EU RoHS Directive 2011/65/EU	Compliant
------------------------------	-----------

EU ELV Directive 2000/53/EC	Compliant
-----------------------------	-----------

China RoHS 2 Directive MIIT Order No 32, 2016	No Restricted Materials Above Threshold
---	---

EU REACH Regulation (EC) No. 1907/2006	Current ECHA Candidate List: JUNE 2022 (224)
--	--



Candidate List Declared Against: JAN 2022
(223)
SVHC > Threshold:
Not Yet Reviewed

Halogen Content	Not Low Halogen - contains Br or Cl > 900 ppm.
Solder Process Capability	Not applicable for solder process capability

Product Compliance Disclaimer

This information is provided based on reasonable inquiry of our suppliers and represents our current actual knowledge based on the information they provided. This information is subject to change. The part numbers that TE has identified as EU RoHS compliant have a maximum concentration of 0.1% by weight in homogenous materials for lead, hexavalent chromium, mercury, PBB, PBDE, DBP, BBP, DEHP, DIBP, and 0.01% for cadmium, or qualify for an exemption to these limits as defined in the Annexes of Directive 2011/65/EU (RoHS2). Finished electrical and electronic equipment products will be CE marked as required by Directive 2011/65/EU. Components may not be CE marked. Additionally, the part numbers that TE has identified as EU ELV compliant have a maximum concentration of 0.1% by weight in homogenous materials for lead, hexavalent chromium, and mercury, and 0.01% for cadmium, or qualify for an exemption to these limits as defined in the Annexes of Directive 2000/53/EC (ELV). Regarding the REACH Regulation, the information TE provides on SVHC in articles for this part number is based on the latest European Chemicals Agency (ECHA) 'Guidance on requirements for substances in articles' posted at this URL: <https://echa.europa.eu/guidance-documents/guidance-on-reach>

Compatible Parts



TE Part # 47823
HYP8/10 TERMINYL 2AWG DIE SET



TE Part # 1490406-1
HYP10 TERMINYL 2AWG DIE SET



TE Part # 1490410-1
HYP10 PLASTI-GRIP 2AWG DIE SET



TE Part # 48755-1
HYP8 PLASTI-GRIP 2AWG 69051 DIE SET



TE Part # 48861-1
HYP8/10 PLASTI-GRIP/10 2AWG DIE SET



TE Part # 601129-2
HAND TOOL (A.S.I.)

Also in the Series | **PLASTI-GRIP**



Compression Connectors(3)



Crimp Wire Pins, Tabs & Ferrules(25)



Ring Terminals & Spade Terminals(537)



Special Purpose Terminals(1)



Splices(49)

Customers Also Bought



TE Part #201570-1
CONTACT PIN ASSY.



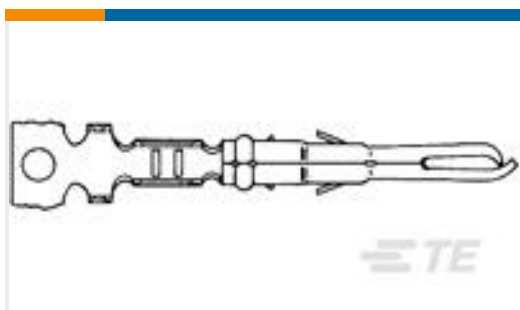
TE Part #1-6609032-8
20VR1=F7210 S0



TE Part #66023-2
TAB,PIDG TERMI-BK 22-16



TE Part #4-1393144-1
K10P-11A15-24=K10/K20



TE Part #640580-2
MR SPLIT PIN AUPHBRZ LP 26-18



TE Part #328394
PIDG SPD 22-16COMM 22-18MIL 2



TE Part #52935-1
TERMINAL,PIDG SPR SPD 16-14 6



TE Part #1-770903-0
MINI UMNL PIN 22-18 AWG AU



TE Part #6648416-1
CONTACT,SKT,SIZE #0



TE Part #6651494-1
CONN,SKT HOUSING

Documents



Product Drawings

[TERMINAL R PG 2 1/4](#)

English

CAD Files

Customer View Model

[ENG_CVM_CVM_52267-1_G.2d_dxf.zip](#)

English

3D PDF

3D

Customer View Model

[ENG_CVM_CVM_52267-1_G.3d_igs.zip](#)

English

Customer View Model

[ENG_CVM_CVM_52267-1_G.3d_stp.zip](#)

English

By downloading the CAD file I accept and agree to the [Terms and Conditions](#) of use.

Product Specifications

[Application Specification](#)

English

Product Environmental Compliance

[TE Material Declaration](#)

English

Instruction Sheets

[Instruction Sheet \(U.S.\)](#)

English

Agency Approvals

[UL Report](#)

English

[UL Report](#)

English
