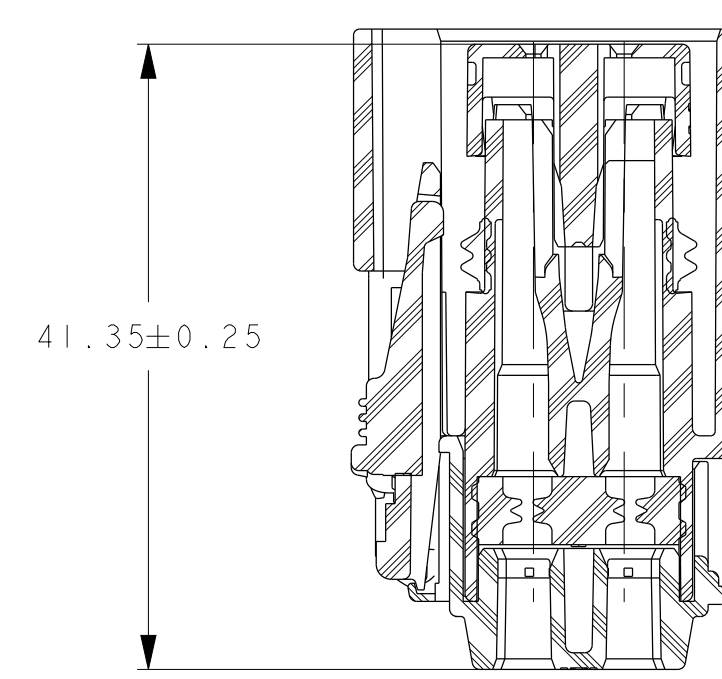
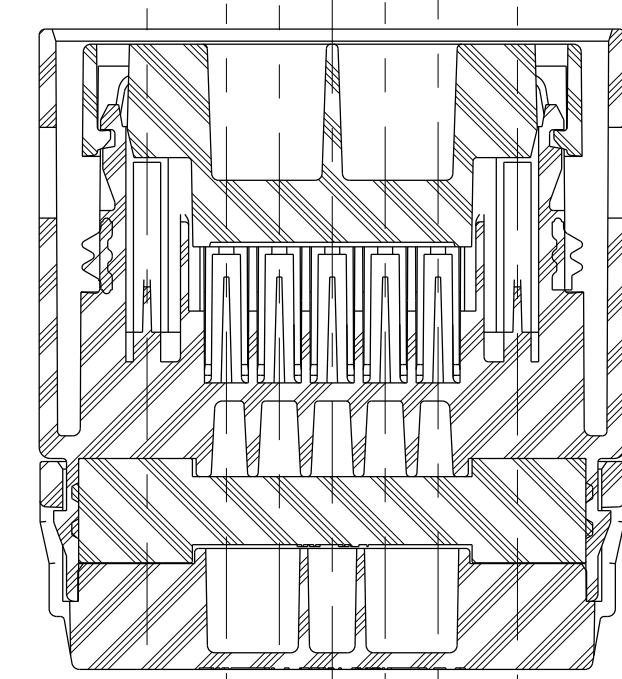


SCALE 2:1

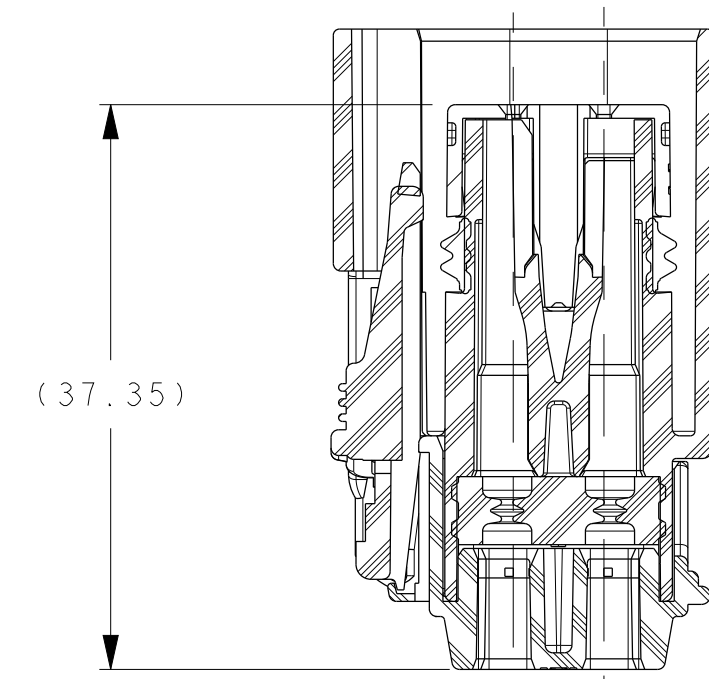
ASSEMBLY NUMBER, DATE CODE THIS AREA



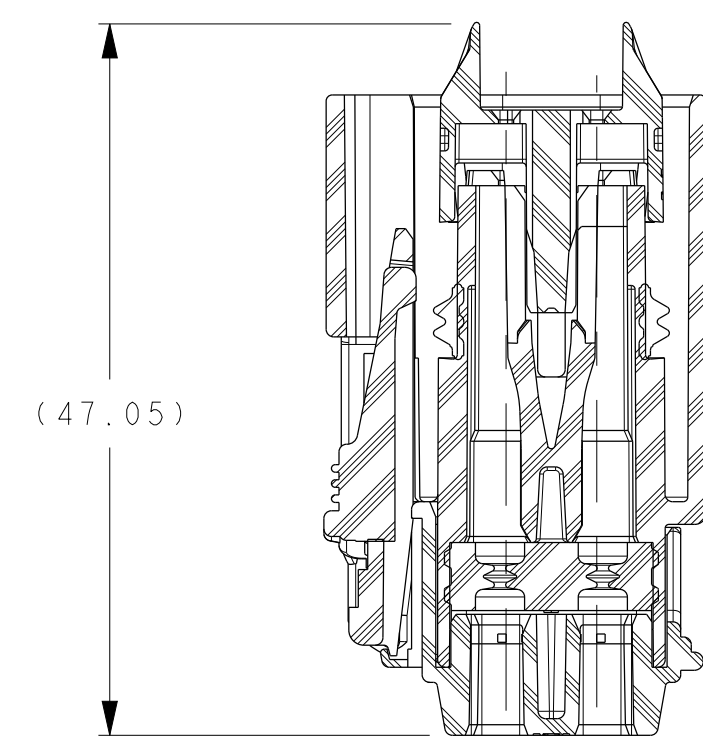
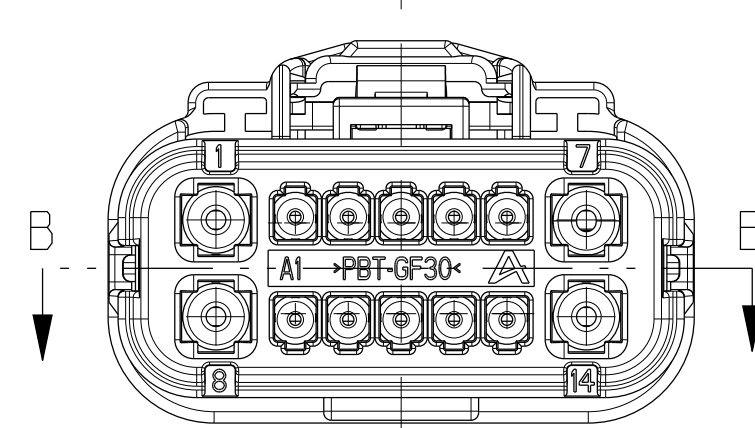
SECTION A-A
CPA & TPA IN PRE-ASSEMBLED POSITION



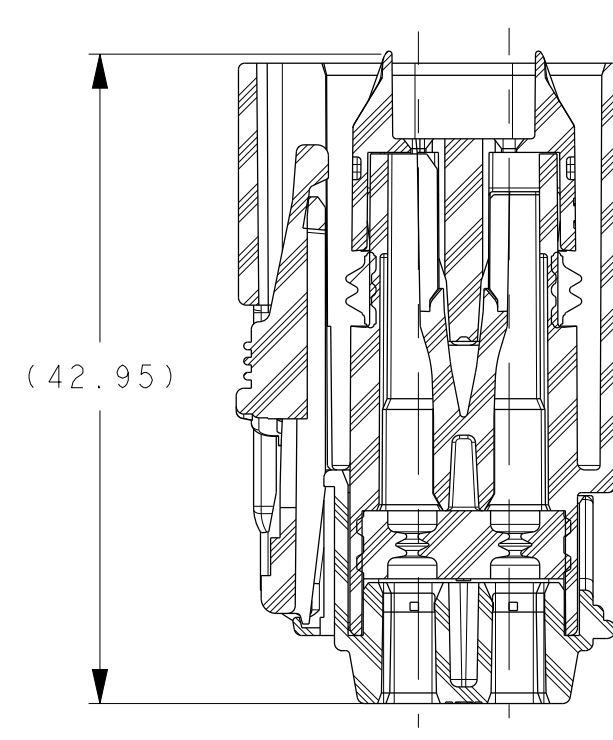
SECTION B-B



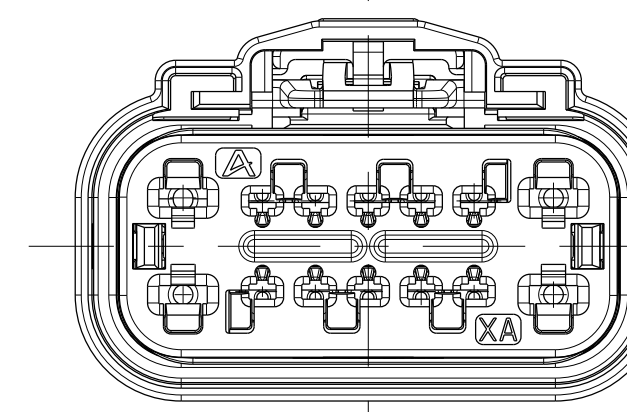
SECTION
CPA & TPA IN FINAL POSITION



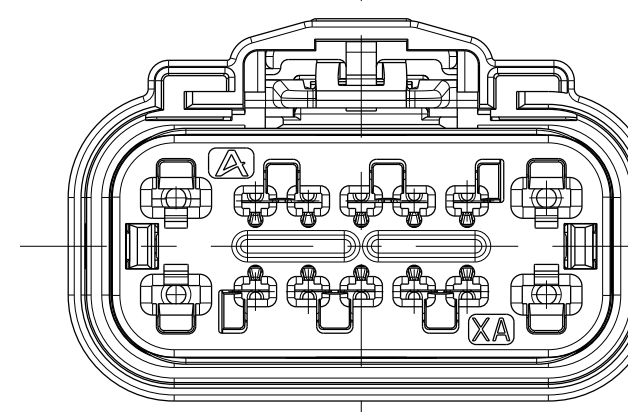
SECTION A-A
TPA IN PRE-LOCK POSITION



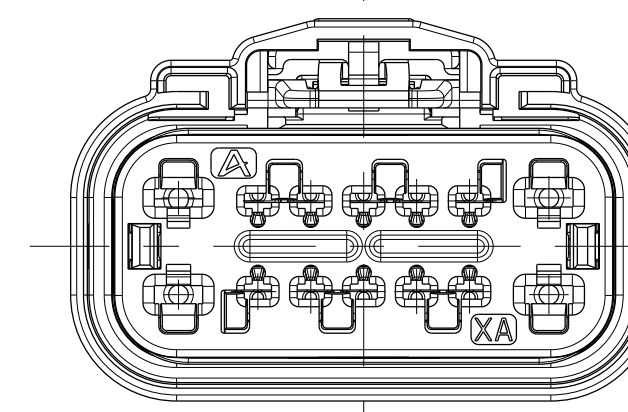
SECTION A-A
TPA IN FINAL LOCK POSITION



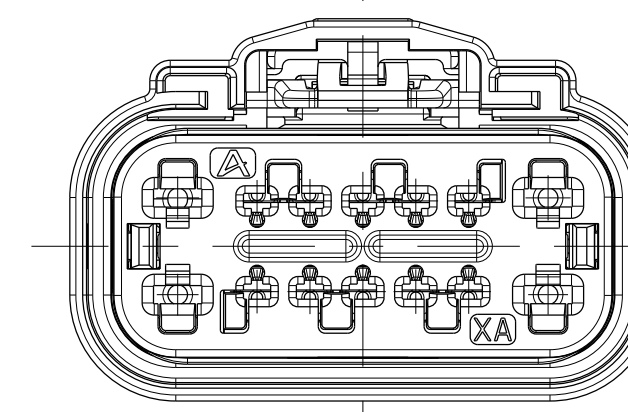
"OPTION - A"



"OPTION - B"

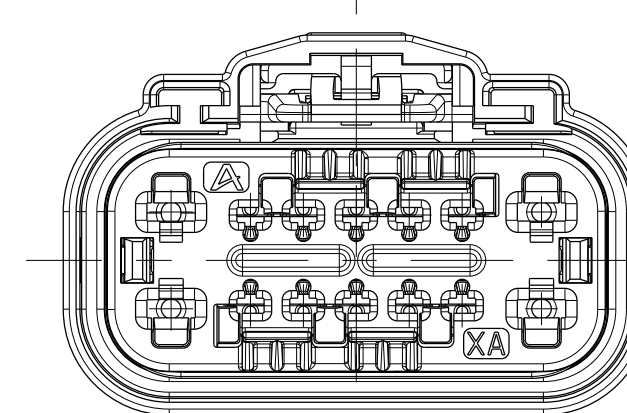


"OPTION - C"

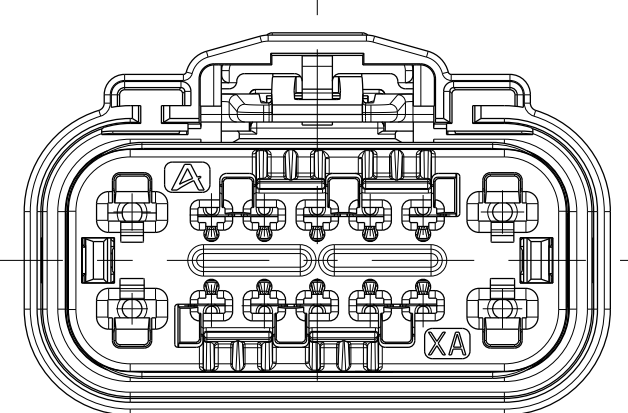


"OPTION - D"

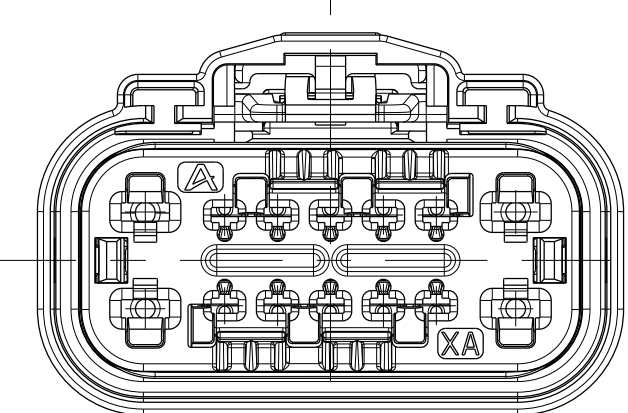
FEMALE ASSEMBLY WITHOUT SHORTING BAR ACTUATING CAM



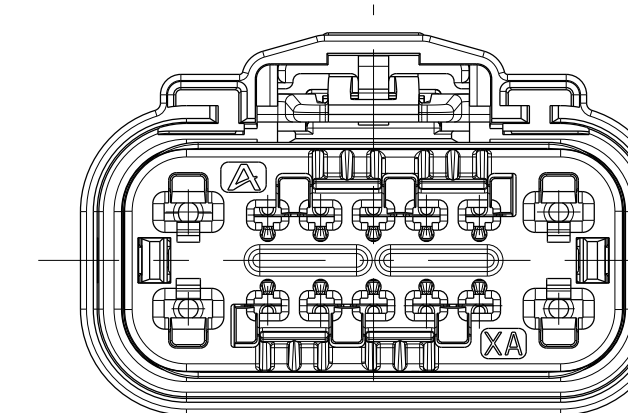
"OPTION - E"



"OPTION - F"



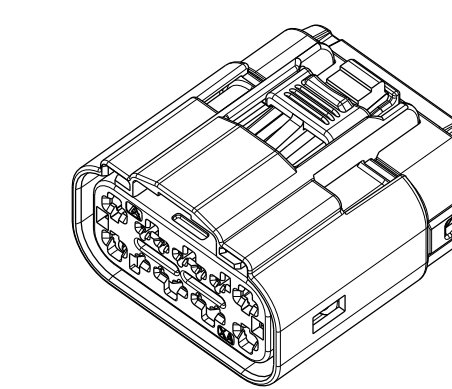
"OPTION - G"



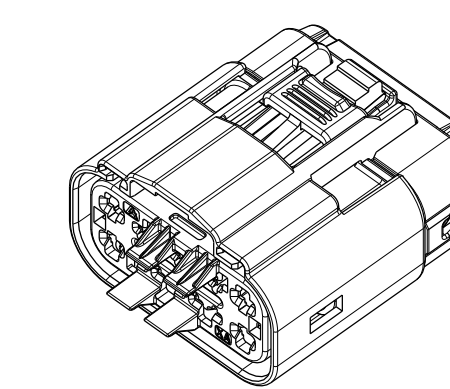
"OPTION - H"

FEMALE ASSEMBLY WITH SHORTING BAR ACTUATING CAM ON TPA

POLARIZATION OPTIONS



VIEW WITHOUT SHORTING
BAR ACTUATING CAM



VIEW WITH SHORTING BAR CAM

ISO-VIEWS, FULL SIZE

APPLICABLE COMPONENTS			
SUPPLIER COMP PART NUMBER	ITEM DESCRIPTION	PLATING	GRIP SIZE
54001625	APEX 150 TERMINAL	TIN	16,18
54002000	APEX 150 TERMINAL	TIN	20,22
54001627	APEX 150 TERMINAL	GOLD	16,18
54002002	APEX 150 TERMINAL	GOLD	20,22
54001208	APEX 2.8 TERMINAL	TIN	12
54001400	APEX 2.8 TERMINAL	TIN	14,16
54001800	APEX 2.8 TERMINAL	TIN	18
54240002	APEX 150 2.8mm SEAL PLUG - FEMALE	-	-
54241629	APEX 150 UNIVERSAL SEAL PLUG	-	-

NOTES:

- MAXIMUM TEMPERATURE CLASS:
CLASS III (125°C)
- TEST METHOD PER:
SEE CHART
- CONNECTOR MAY BE USED WITH THE FOLLOWING RANGE OF WIRE SIZES AND/TYPES:
- APEX 150 TERMINALS:
- SIZE: 22 GAGE - 16 GAGE - 1.50mm MIN O.D. TO 2.41mm MAX O.D.
- TYPE: TXL (MIL123-A / MS-8288)
ALTERNATELY:
- SIZE: 0.75mm² TO 1.5mm² / 1.70mm MIN O.D. TO 2.40mm MAX O.D.
- TYPE: FLR2X (125°C PE-X) or FLYW (125°C PVC) (STRUCTURE & PROPERTIES PER ISO6722)
- APEX 2.8 TERMINALS:
- SIZE: 18 GAGE - 12 GAGE - 1.90mm MIN O.D. TO 3.35mm MAX O.D.
- TYPE: TXL (MIL123-A / MS-8288)
ALTERNATELY:
- SIZE: 1.00mm² TO 2.5mm² / 1.90mm MIN O.D. TO 3.00mm MAX O.D.
- TYPE: FLR2X (125°C PE-X) or FLYW (125°C PVC) (STRUCTURE & PROPERTIES PER ISO6722)
- CONTACT FCI ENGINEERING REGARDING USE OF OTHER WIRE SIZES AND/OR TYPES
- CONNECTOR MAY BE USED WITH THE FOLLOWING TERMINALS:
- FCI APEX150 AND APEX 2.8 WITH WIRE SIZES DEFINED IN NOTE 3
- SEE FCI DRAWINGS J54009-CUST AND C15004-CUST FOR SPECIFIC PART NUMBERS AND CRIMPING REQUIREMENTS.
- CONTACT FCI ENGINEERING REGARDING USE OF COMPATIBLE NON FCI TERMINALS
- ANNUAL QUALITY REQUIREMENTS:
IT IS PERMISSIBLE TO PERFORM CONTINUOUS CONFORMANCE PER FCI SPECIFICATION #ADA-001 INSTEAD OF ANNUAL LAYOUT AND ANNUAL PV REQUIREMENTS OF QS-9000 SECTION 2 AND SAE/JSCAR-2, REV.4 FOR TERMINALS TO CONNECTOR AND TPA TO CONNECTOR ONLY

REV. NO.		ZONE		CHANGE DESCRIPTION	
SEE SHEET #1 FOR REVISION RECORD					
REV. NO.	DATE	BY	CHKD BY	DESCRIPTION	APPROVAL
1				ISSUED FOR DESIGN	
2				ISSUED FOR MANUFACTURE	
3				ISSUED FOR REVISION	
4				ISSUED FOR REVISION	

PROJECT NO.	KS3001	DATE	08/03/00	REV.	AD
PROJECT TITLE	ASSEMBLY 14 WAY HYBRID FEMALE				
PROJECT NO.	KS3001	DATE	08/03/00	REV.	AD
PROJECT TITLE	ASSEMBLY 14 WAY HYBRID FEMALE				
PROJECT NO.	KS3001	DATE	08/03/00	REV.	AD
PROJECT TITLE	ASSEMBLY 14 WAY HYBRID FEMALE				