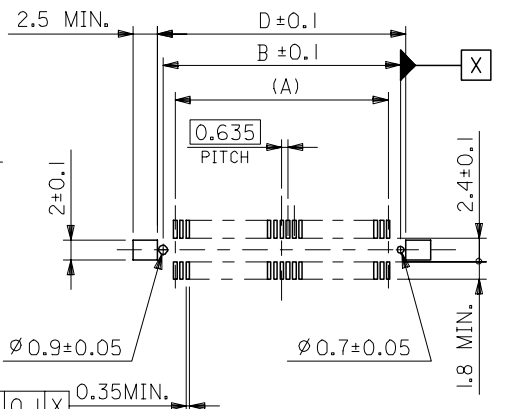
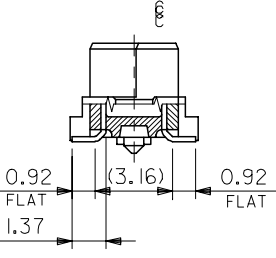
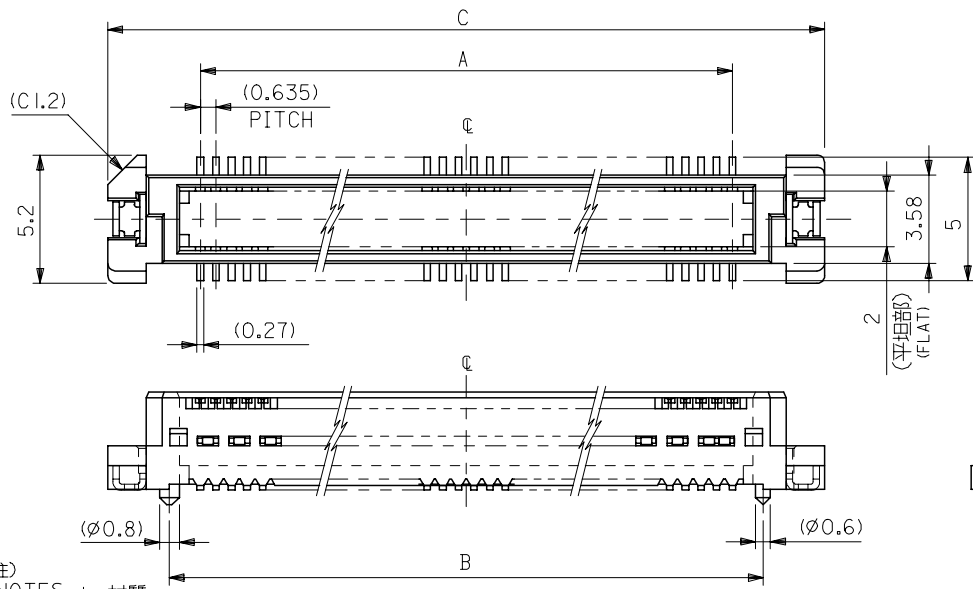


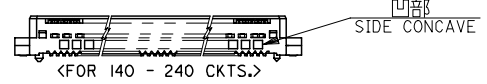
10 9 8 7 6 5 4 3 2 1



参考推奨基板寸法
RECOMMENDED PCB PATTERN LAYOUT(REF.)
(SCALE 2:1)

注) NOTES

- 材質 MATERIAL
ハウジング : ガラス入りLCP、白色、UL94V-0
HOUSING: LIQUID CRYSTAL POLYMER, GLASS FILLED, WHITE, UL94V-0
ターミナル : 銅合金 (t=0.2)
TERMINAL: COPPER ALLOY
- メッキ仕様 PLATING
接点部 : 金メッキ 0.25 MICROMETER MINIMUM
CONTACT AREA: GOLD 0.25 MICROMETER MINIMUM
半田付け部 : 錫メッキ TIN 1.0 MICROMETER MINIMUM
SOLDER TAIL AREA: TIN 1.0 MICROMETER MINIMUM
下地メッキ : ニッケルメッキ 1.5 MICROMETER MINIMUM
UNDER-PLATING: NICKEL 1.5 MICROMETER MINIMUM
- テールのパラツキ寸法 TAILS COPLANARITY
テール平坦度は 0.1MAX. とする。
TAILS COPLANARITY TO BE 0.1 MAXIMUM.
- ハウジング両サイドの凹部は、140 - 240 極に適用。
SIDE CONCAVES OF HOUSING TO BE APPLICABLE 140 - 240 CKT.



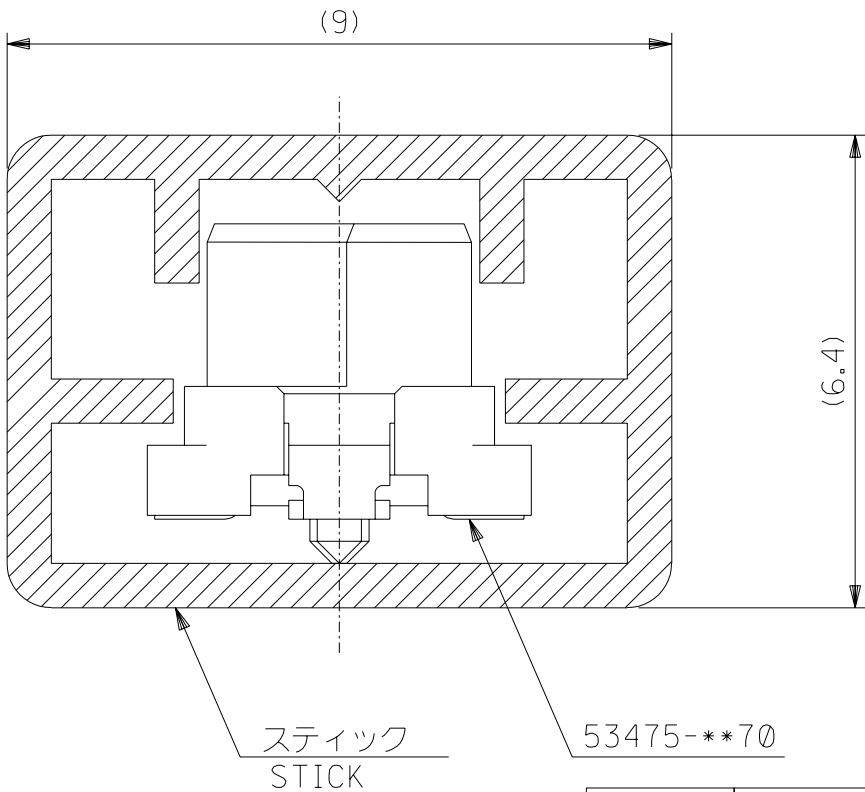
5. 本製品は 53475-***0 の鉛フリー品である。
THIS PRODUCT IS LEAD FREE OF 53475-***0.

5 mm	52760-***70
11 mm	52837-***70
基板間寸法 STACKING HEIGHT	嵌合相手 TO BE MATED WITH

79.17	83.07	78.07	75.565	---	---	53475-2479	53475-2470	240	○
66.47	70.37	65.37	62.865	---	---	-2079	-2070	200	○
60.12	64.02	59.02	56.515	---	---	-1879	-1870	180	○
53.77	57.67	52.67	50.165	53475-1676	---	-1679	-1670	160	○
47.42	51.32	46.32	43.815	53475-1476	---	-1479	-1470	140	○
41.07	44.97	39.97	37.465	---	---	-1279	-1270	120	○
34.72	38.62	33.62	31.115	---	---	-1079	-1070	100	○
31.55	35.45	30.45	27.94	---	---	-0979	-0970	90	○
28.37	32.27	27.27	24.765	---	---	-0879	-0870	80	○
25.2	29.1	24.1	21.59	---	53475-0778	-0779	-0770	70	○
24.56	28.46	23.46	20.955	---	---	-6879	-6870	68	○
22.02	25.92	20.92	18.415	---	53475-0678	-0679	-0670	60	○
18.85	22.75	17.75	15.24	---	53475-0578	-0579	-0570	50	○
15.67	19.57	14.57	12.065	---	53475-0478	-0479	-0470	40	○
12.5	16.4	11.4	8.89	---	53475-0378	-0379	-0370	30	○
9.32	13.22	8.22	5.715	---	⑤53475-0278	53475-0279	53475-0270	20	○

REVISED EC NO: J2005-2338 DRAWN: HSH IMABUKURO 2005/02/10 CHKD: KTOJOKO 2005/02/10 APPR: NUKITA 2005/02/12	GENERAL TOLERANCES (UNLESS SPECIFIED)		DIMENSION STYLE MM ONLY		SCALE ---		DESIGN UNITS METRIC		THIRD ANGLE PROJECTION	
	10 UNDER	±0.2	DRAWN BY	DATE	TITLE 0.635 PITCH B-T0-B S/T PLUG HSG ASSY -LEAD FREE-					
	10 OVER 30 UNDER	±0.25	CHECKED BY	DATE	MOLEX MOLEX INCORPORATED					
	30 OVER	±0.3	APPROVED BY	DATE	DOCUMENT NO. SD-53475-001 SHEET NO. 1 OF 1					
	ANGULAR ±3 °		DRAFT WHERE APPLICABLE MUST REMAIN WITHIN DIMENSIONS		MATERIAL NO. SEE CHART		SIZE A3		THIS DRAWING CONTAINS INFORMATION THAT IS PROPRIETARY TO MOLEX INCORPORATED AND SHOULD NOT BE USED WITHOUT WRITTEN PERMISSION	

DWG. NO. SD-53475-003



注) NOTES.

1. スティック両端はキャップ止め。
BOTH ENDS WITH CAPS.
2. 全長：600±2
TOTAL LENGTH
3. 肉厚：0.6±0.2
THICKNESS
4. 本製品は53475-***9の鉛フリー品である。
THIS PRODUCT IS LEAD FREE OF 53475-***9

6	53475-2479	240
8	↑ -2079	200
8	-1879	180
9	-1679	160
11	-1479	140
12	-1279	120
14	-1079	100
15	-0979	90
17	-0879	80
19	-0779	70
19	-6879	68
21	-0679	60
24	-0579	50
28	-0479	40
34	↓ -0379	30
42	53475-0279	20

角度 ANGLE	±3°
30 以上 OVER	±0.3
10 以上 OVER 30 未満 UNDER	±0.25
10 未満 UNDER	±0.2
一般公差 GENERAL TOLERANCES	

53475-**79 MODEL. NO.	梱包数 QUANTITY	MATERIAL. NO.	極数 NO. OF CKT.
--------------------------	-----------------	---------------	-------------------

材料 MATERIAL	スティック：ポリ塩化ビニル STICK : P.V.C	
仕上げ FINISH	—	
適用電線範囲 WIRE RANGE	—	
被覆外径 INS. RANGE	—	
DRAWN BY '04/3/16	CHK'D BY '04/3/16	
H.SHIMABUKURO	K.TOJO	
APP'D BY '04/3/16	尺度 SCALE	
M.SASAO		

MOLEX-JAPAN CO.,LTD. 日本モレックス株式会社	
REVISE ONLY ON CAD SYSTEM	
TITLE 名称 -LEAD FREE- 53475-**70 STICK PACKAGING	
DWG. NO. SD-53475-003	REV 0