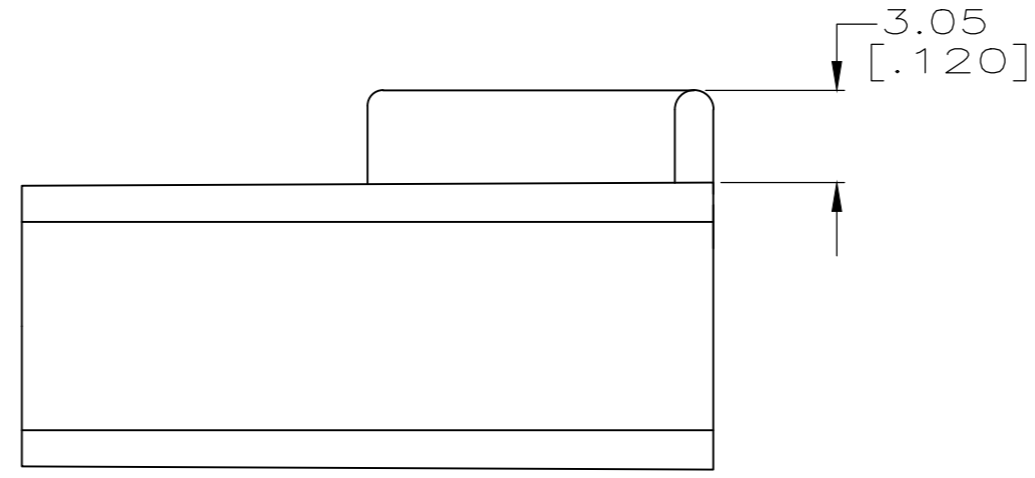
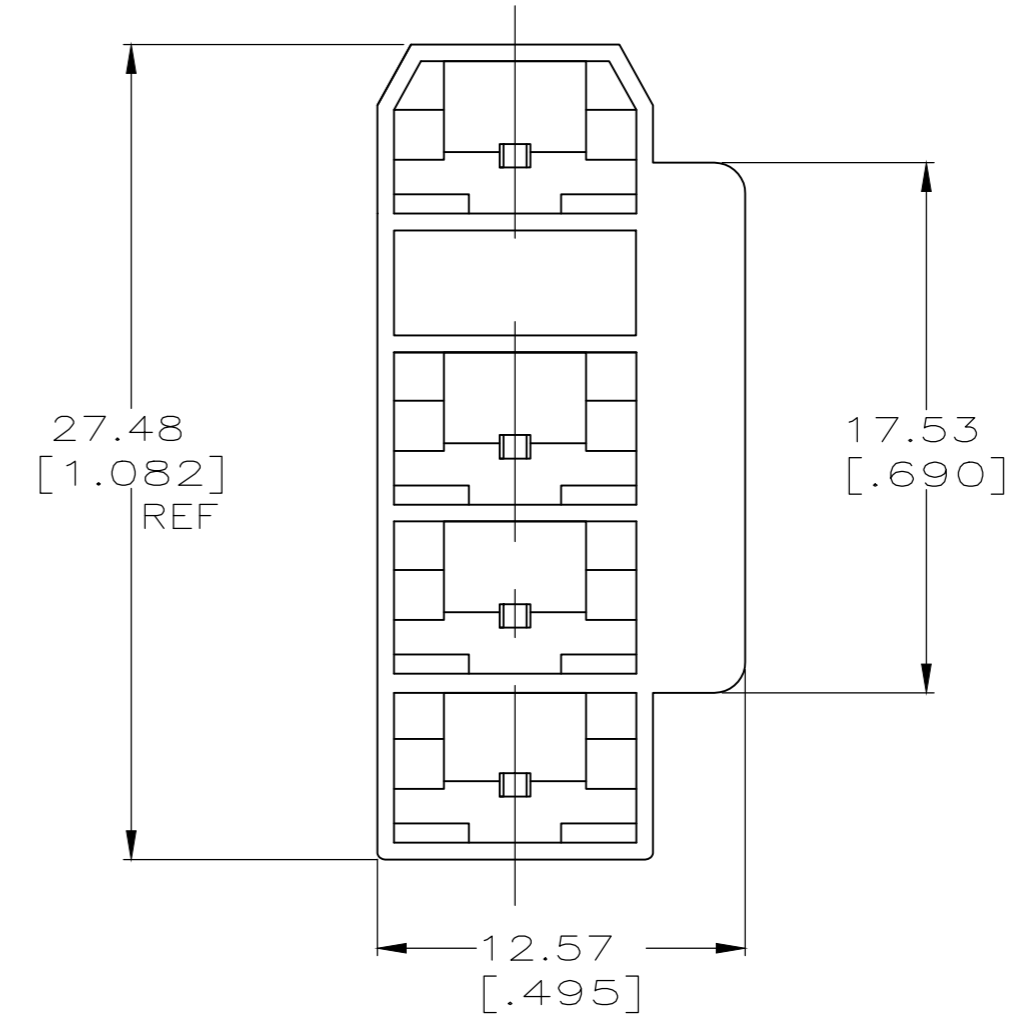
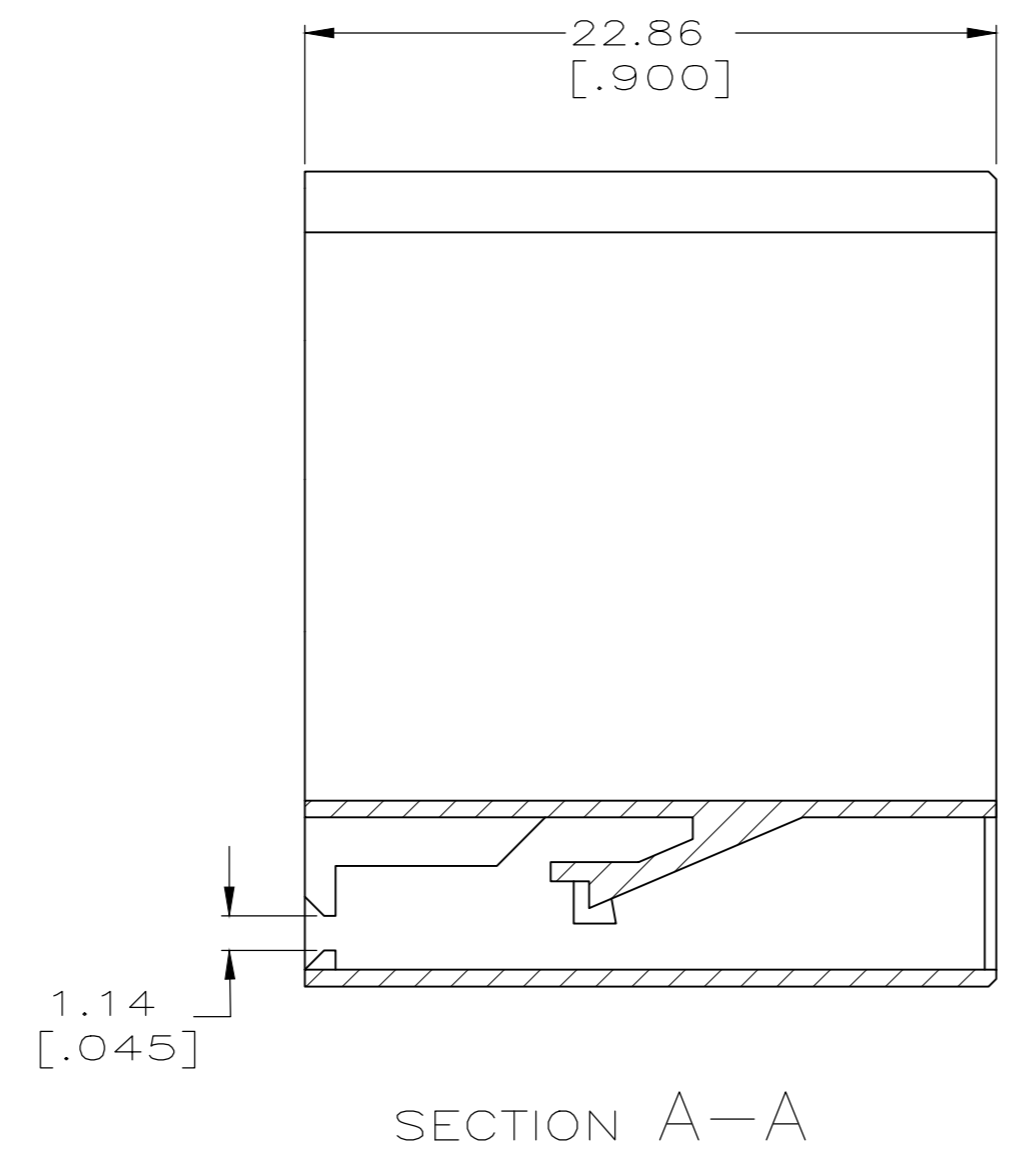
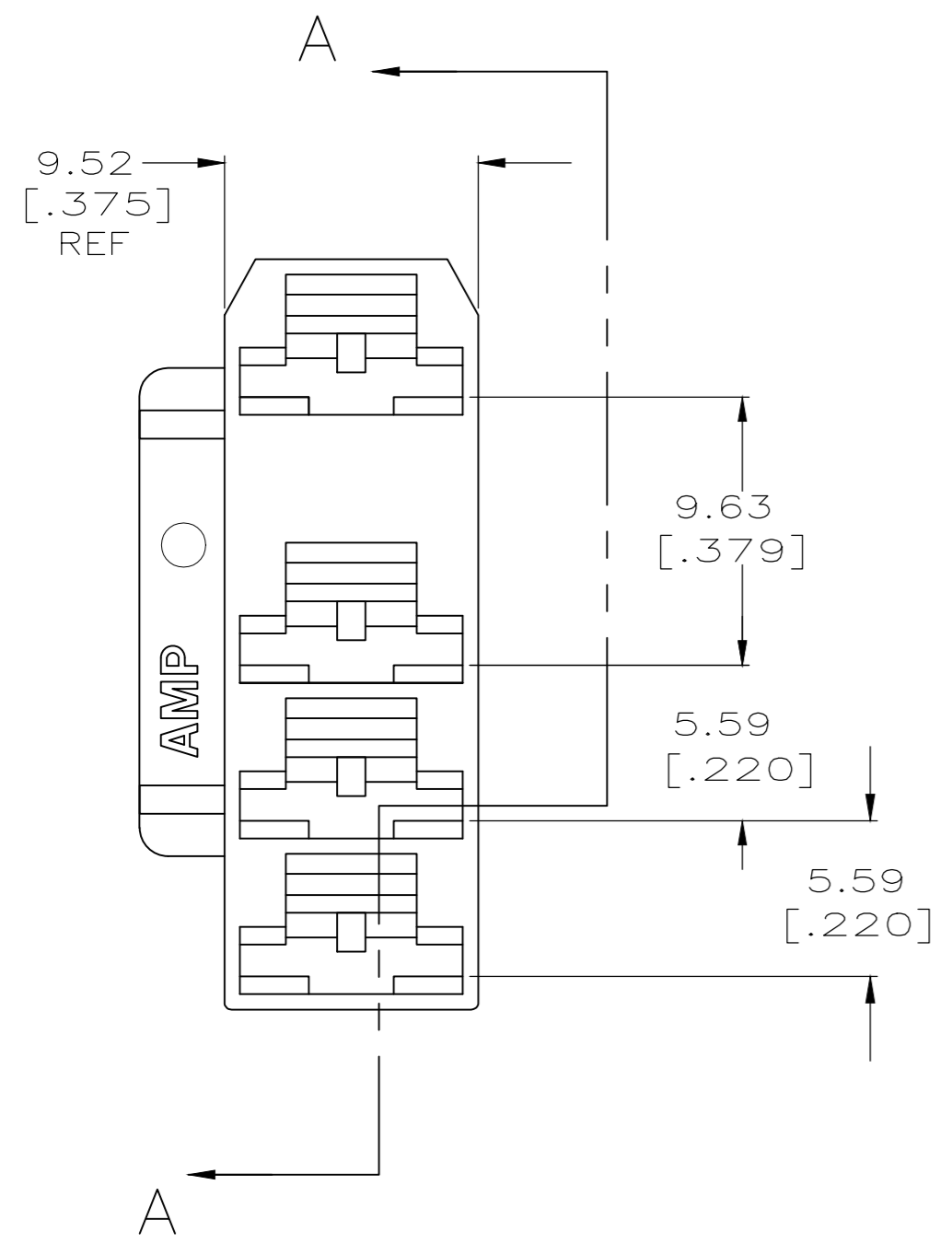


REVISIONS					
P	LTR	DESCRIPTION	DATE	DWN	APVD
K15		REVISED PER ECR-18-005844	17APR2018	RS	DS



- 1 FOR USE WITH TE CONNECTIVITY 250 SERIES LOW INSERTION RECEPTACLES.
- 2 PRELIMINARY - NOT FOR PRODUCTION.
- 3 GLOW WIRE APPROVED, CONTACT TE CONNECTIVITY FOR ENGN SPECIFICATIONS, ALL WALL THICKNESSES ARE BETWEEN 0.4MM AND 3.0MM.
- 4 OBSOLETE PARTS



COLOR	MATERIAL	PART NUMBER
BLACK	66 NYLON V0 NATURAL	1-520987-4
NATURAL	3 66 NYLON, V0	2 520987-7
NATURAL	V2 3	520987-6
NATURAL	66 NYLON, V0	4 520987-5
BLACK	66 NYLON, V0	520987-4
GRAY	6/6 NYLON, V2	2 520987-3
NATURAL	6/6 NYLON	520987-2
BLACK	6/6 NYLON	520987-1

THIS DRAWING IS A CONTROLLED DOCUMENT.		DWN M.S. FEHER 22SEP2003	TE Connectivity Ltd.	
DIMENSIONS: mm [INCHES]		CHK J.R. RUTH 22SEP2003		
TOLERANCES UNLESS OTHERWISE SPECIFIED:		APVD P. DESANTIS 22SEP2003	NAME HOUSING, RECEPTACLE, FASTON, 6.35 [.250] SERIES	
0 PLC ± -		PRODUCT SPEC	SIZE A2	
1 PLC ± -		APPLICATION SPEC	CAGE CODE 00779	
2 PLC ± -		WEIGHT 0.000000	DRAWING NO C=520987	
3 PLC ± 0.25 [.010]		FINISH SEE TABLE	RESTRICTED TO -	
4 PLC ± -		MATERIAL SEE TABLE	SCALE 4:1	
ANGLES ± -		CUSTOMER DRAWING	SHEET 1 of 1	
			REV K15	