



Ultra-Pod | Ultra-Pod 250

TE Internal #: 521451-2

Quick Disconnects, Tab, 18 – 14 AWG Wire Size, .82 – 2.08 mm<sup>2</sup>

Wire Size, Mating Tab Width .25 in [6.35 mm], Straight, Brass, Ultra-Pod 250

[View on TE.com >](#)

Terminals & Splices > Quick Disconnects



Quick Disconnect Terminal Type: **Tab**

Wire Size: **.82 – 2.08 mm<sup>2</sup>**

Mating Tab Width: **6.35 mm [ .25 in ]**

Mating Tab Thickness: **.81 mm [ .032 in ]**

## Features

### Product Type Features

Terminates To	Wire & Cable
Wire/Cable Type	Regular Wire
Insertion Force	Low
Sealable	No

### Configuration Features

Connection Capacity	Single
---------------------	--------

### Electrical Characteristics

Voltage (Max)	600 V
---------------	-------

### Body Features

Insulation Material	Nylon
---------------------	-------

### Contact Features

Quick Disconnect Terminal Type	Tab
Mating Tab Width	6.35 mm [.25 in]
Mating Tab Thickness	.81 mm [.032 in]



Terminal Orientation	Straight
Contact Base Material	Brass
Terminal Plating Material	Tin
Crimp Type	F-Crimp
Barrel Type	Open

### Mechanical Attachment

Wire Insulation Support	With
-------------------------	------

### Dimensions

Accepts Wire Insulation Diameter Range	3.3 – 4.57 mm [.13 – .18 in]
Receptacle Terminal Stock Thickness	.4 mm [.015 in]
Overall Length	38.87 mm [1.53 in]
Wire Size	.82 – 2.08 mm <sup>2</sup>

### Usage Conditions

Insulation Option	Uninsulated
Operating Temperature Range	-40 – 150 °C [-40 – 302 °F]

### Industry Standards

UL File Number	E66717
UL Flammability Rating	UL 94V-0
CSA Certified	Yes
UL Rating	Listed

### Packaging Features

Packaging Quantity	1500
Packaging Method	Strip/Reel

### Other

Barrel Color	Natural
--------------	---------

### Product Compliance

[For compliance documentation, visit the product page on TE.com>](#)

EU RoHS Directive 2011/65/EU	Compliant
EU ELV Directive 2000/53/EC	Compliant
China RoHS 2 Directive MIIT Order No 32, 2016	No Restricted Materials Above Threshold
EU REACH Regulation (EC) No. 1907/2006	



Current ECHA Candidate List: JUNE 2022

(224)

Candidate List Declared Against: JAN 2022

(223)

SVHC > Threshold:

Not Yet Reviewed

Halogen Content

Not Low Halogen - contains Br or Cl > 900 ppm.

Solder Process Capability

Not applicable for solder process capability

Product Compliance Disclaimer

This information is provided based on reasonable inquiry of our suppliers and represents our current actual knowledge based on the information they provided. This information is subject to change. The part numbers that TE has identified as EU RoHS compliant have a maximum concentration of 0.1% by weight in homogenous materials for lead, hexavalent chromium, mercury, PBB, PBDE, DBP, BBP, DEHP, DIBP, and 0.01% for cadmium, or qualify for an exemption to these limits as defined in the Annexes of Directive 2011/65/EU (RoHS2). Finished electrical and electronic equipment products will be CE marked as required by Directive 2011/65/EU. Components may not be CE marked. Additionally, the part numbers that TE has identified as EU ELV compliant have a maximum concentration of 0.1% by weight in homogenous materials for lead, hexavalent chromium, and mercury, and 0.01% for cadmium, or qualify for an exemption to these limits as defined in the Annexes of Directive 2000/53/EC (ELV). Regarding the REACH Regulation, the information TE provides on SVHC in articles for this part number is based on the latest European Chemicals Agency (ECHA) 'Guidance on requirements for substances in articles' posted at this URL: <https://echa.europa.eu/guidance-documents/guidance-on-reach>

## Compatible Parts




TE Part # 521217-2  
ULTRA-POD 250 ASSY TAB 18-14 AWG TPBR



TE Part # 521227-2  
ULTRA-POD 250 ASSY TAB 12-10 AWG TPBR




TE Part # 680834-2  
.250 U-POD 9SM110F210F K




TE Part # 680834-1  
.250 U-POD 9SM110F210F T

## Also in the Series | Ultra-Pod 250



Insertion & Extraction Tools(2)



Quick Disconnects(54)

## Customers Also Bought



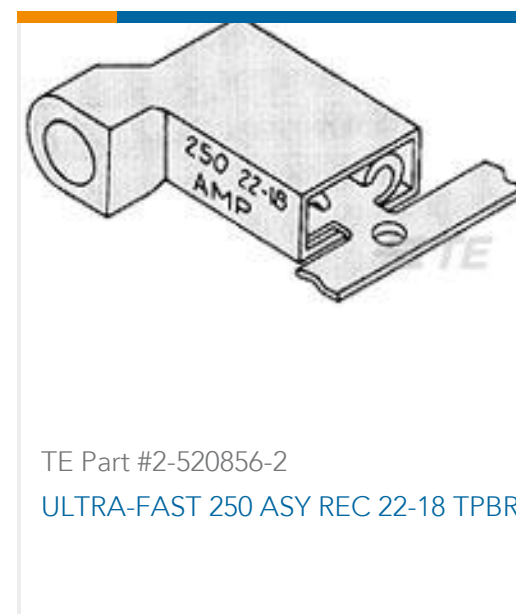
TE Part #1-770849-4  
3.96mm Wire-to-board housing:  
receptacle, with mating alignment, SL  
156



TE Part #520974-2  
ULTRA-POD: Straight, Receptacle  
Assembly, Tin Plated, 0.25 inch



TE Part #42169-2  
SPRING SPADE TERMINAL 18-14  
AWG TPBR



TE Part #2-520856-2  
ULTRA-FAST 250 ASY REC 22-18 TPBR



TE Part #42801-2  
187 FASTON REC 20-16 AWG TPBR



TE Part #42692-2  
250 FASTON REC 18-14 AWG TPBR



TE Part #770075-1  
04P .093 COMM P&S RECPT HSG



TE Part #41532  
250 FASTON FLAG REC 18-12 AWG  
TPBR

## Documents

### Product Drawings

[ULTRA-POD 250 ASSY TAB 18-14 AWG TPBR](#)

English

### CAD Files

[3D PDF](#)

3D

Customer View Model

[ENG\\_CVM\\_CVM\\_521451-2\\_D.2d\\_dxf.zip](#)

English

Customer View Model

[ENG\\_CVM\\_CVM\\_521451-2\\_D.3d\\_igs.zip](#)

English

Customer View Model

[ENG\\_CVM\\_CVM\\_521451-2\\_D.3d\\_stp.zip](#)

English

By downloading the CAD file I accept and agree to the [Terms and Conditions](#) of use.

### Datasheets & Catalog Pages

[Ultra-Fast and Ultra Fast Plus](#)

English

### Product Specifications

[Application Specification](#)

English

### Product Environmental Compliance

[TE Material Declaration](#)



English

---

[Agency Approvals](#)

[UL Report](#)

English