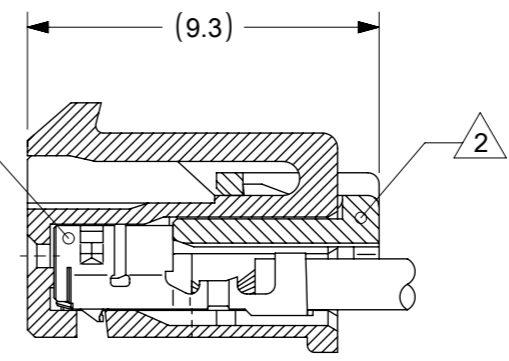


注記
NOTES

- 1 適合ターミナル : 59370 シリーズ
APPLICABLE TERMINAL : 59370 SERIES
- 2 適合リテーナー : 51217 シリーズ
APPLICABLE RETAINER : 51217 SERIES
- 3. 嵌合相手 : 55487、55755シリーズ
MATE WITH : 55487、55755
- 4 偶数極に適用。
APPLY EVEN CIRCUIT PRODUCTS.
- 5 4~15 極に適用。
APPLY 4-15 CIRCUITS.
- 6 5~15 極に適用。
APPLY 5-15 CIRCUITS.
- 7. ELVおよびRoHS適合品
ELV AND RoHS COMPLIANT
- 8.ハウジングの色 (MATERIAL NO. の下1桁に対応) :
HSG COLOR: WHITE : 51216-***0
 BLACK : 51216-***1
 RED : 51216-***2
 YELLOW : 51216-***3
 BLUE : 51216-***4
 GREEN : 51216-***6

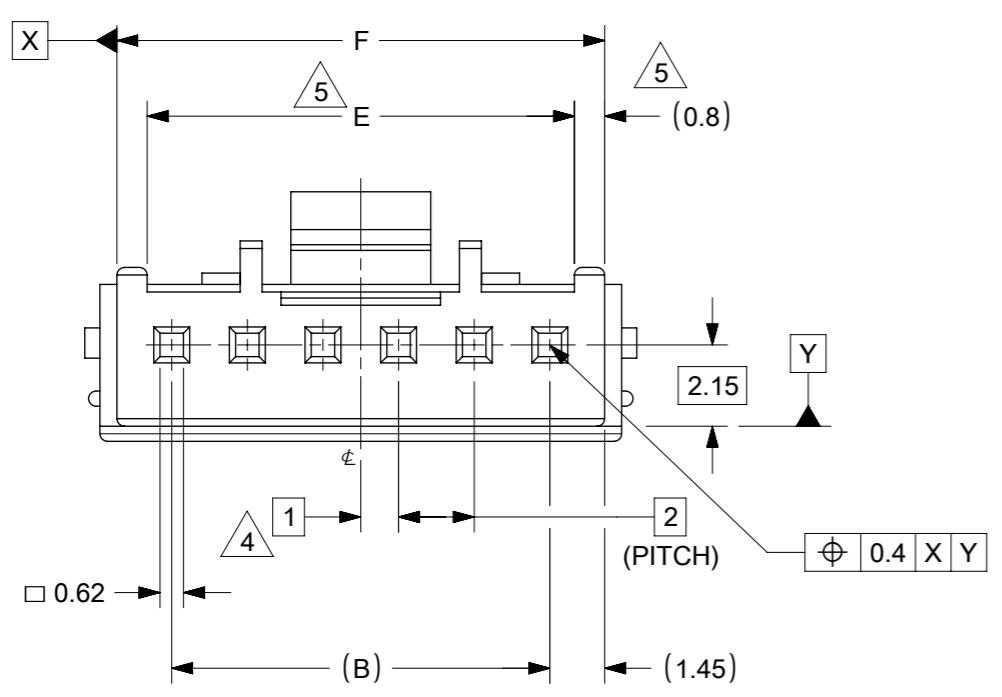
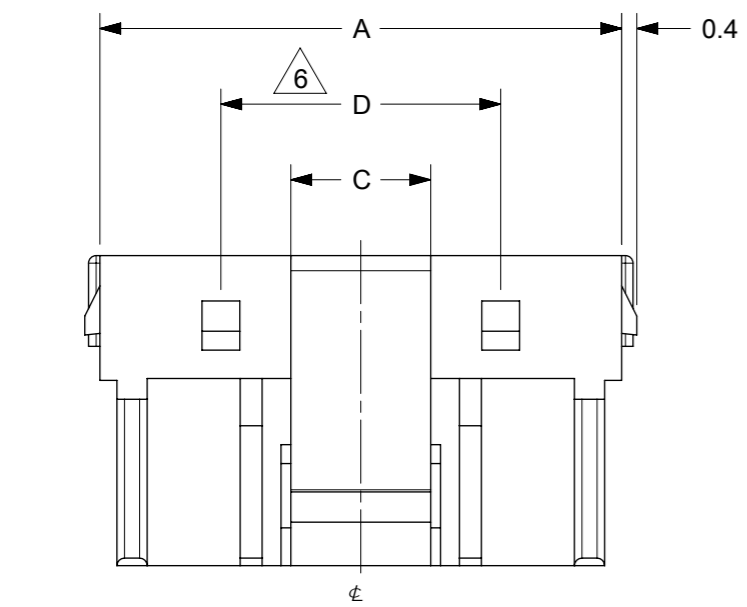
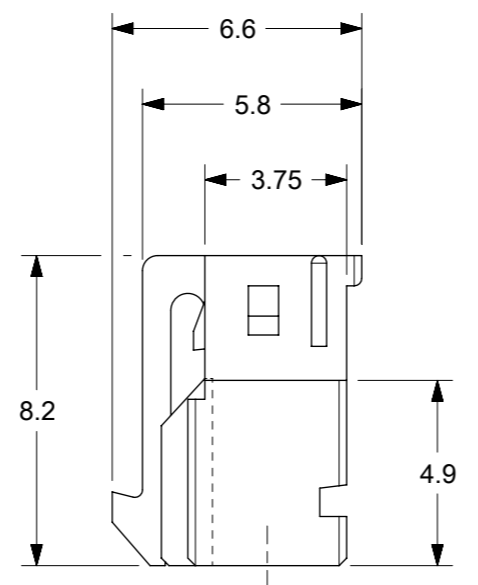
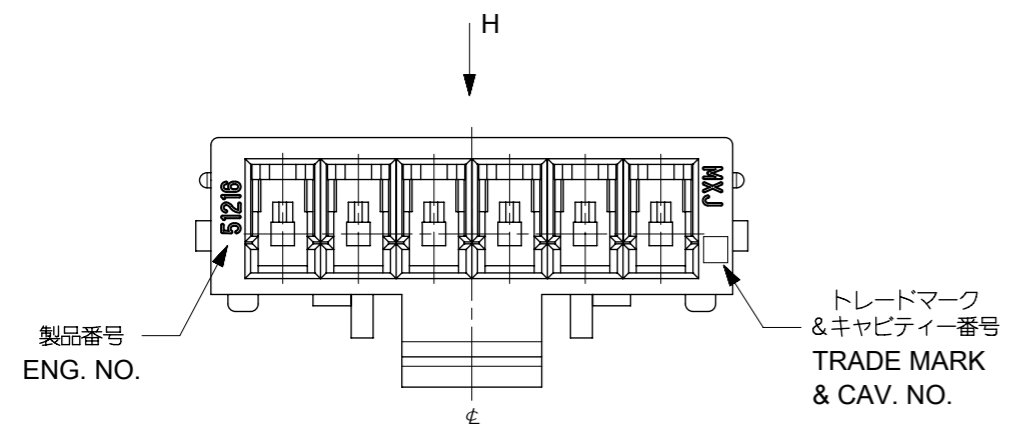
回路番号 1
CKT. NO. 1

VIEW H



ターミナル及びリテーナー装着状態図
TERMINAL & RETAINER ASSEMBLY DRAWING

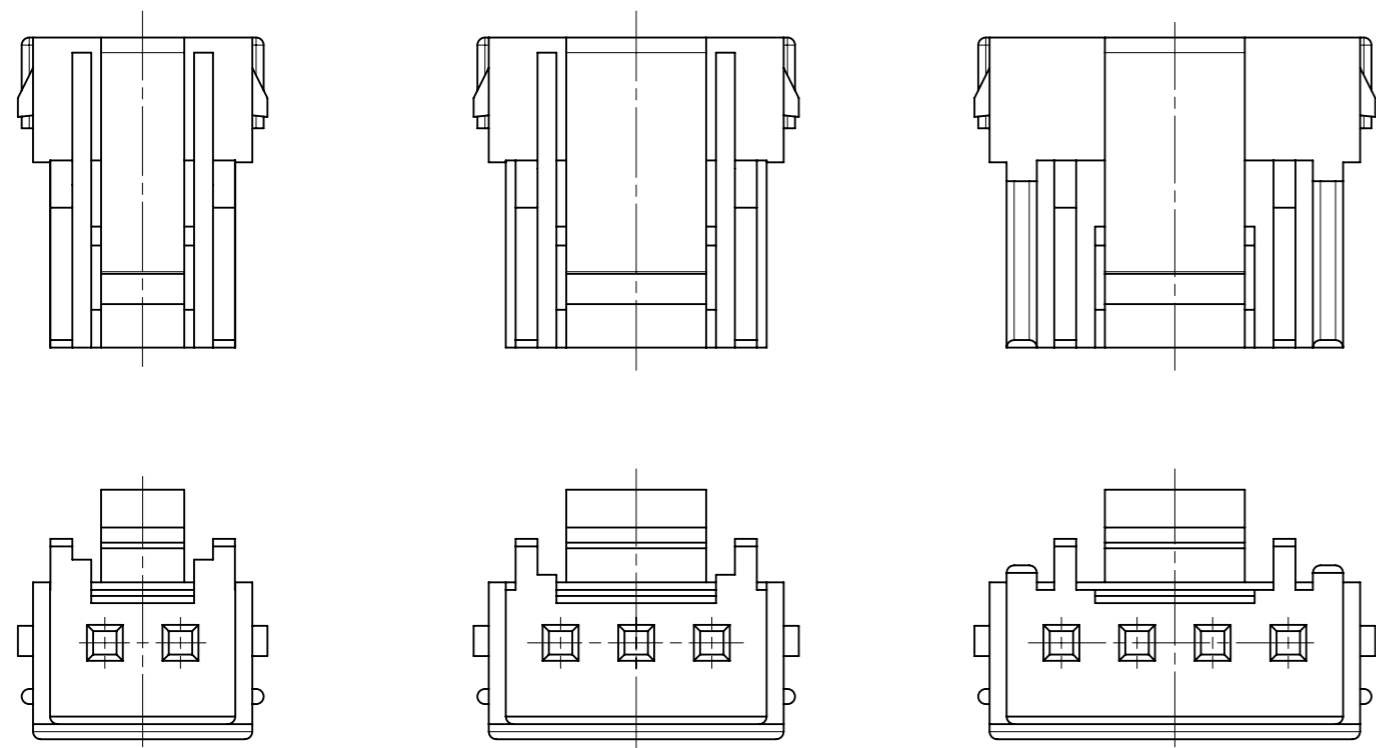
30.9	29.3	7.4	3.7	28	31.8	51216-150*	15
28.9	27.3	7.4	3.7	26	29.8	51216-140*	14
26.9	25.3	7.4	3.7	24	27.8	51216-130*	13
24.9	23.3	7.4	3.7	22	25.8	51216-120*	12
22.9	21.3	7.4	3.7	20	23.8	51216-110*	11
20.9	19.3	7.4	3.7	18	21.8	51216-100*	10
18.9	17.3	7.4	3.7	16	19.8	51216-090*	9
16.9	15.3	7.4	3.7	14	17.8	51216-080*	8
14.9	13.3	7.4	3.7	12	15.8	51216-070*	7
12.9	11.3	7.4	3.7	10	13.8	51216-060*	6
10.9	9.3	7.4	3.7	8	11.8	51216-050*	5
8.9	7.3	X	3.7	6	9.8	51216-040*	4
6.9	X	X	3.7	4	7.8	51216-030*	3
4.9	X	X	2.2	2	5.8	51216-020*	2
F	E	D	C	B	A	MATERIAL NO.	CKT.



材料 MATERIAL	PBTP, UL94V-0
仕上げ FINISH	— / —
適用電線範囲 WIRE RANGE	— / —
被覆外径 INS. RANGE	— / —

THIS DRAWING CONTAINS INFORMATION THAT IS PROPRIETARY TO MOLEX ELECTRONIC TECHNOLOGIES, LLC AND SHOULD NOT BE USED WITHOUT WRITTEN PERMISSION

DIMENSION UNITS	SCALE	CURRENT REV DESC: REMASTERED AND OBSOLETE PART NUMBERS	molex			
mm	NTS					
GENERAL TOLERANCES (UNLESS SPECIFIED)			2.0MM WIRE TO BOARD RECEPTACLE HOUSING			
ANGULAR TOL ± 3.0°						
4 PLACES ±	EC NO: 642933	DRWN: MKP 2020/07/22	PRODUCT CUSTOMER DRAWING			
3 PLACES ±	CHK'D: YVENKATESWAR 2020/08/05	APPR: ISHWARG 2020/08/07				
2 PLACES ± 0.2	INITIAL REVISION:		DOCUMENT NUMBER DOC TYPE DOC PART REVISION			
1 PLACE ± 0.2	DRWN: T.YASUI 2000/02/22					
0 PLACES ± 0.2	APPR: M.FUKUSHIMA 2000/02/22		SD-51216-004 PSD 001 D1			
DRAFT WHERE APPLICABLE MUST REMAIN WITHIN DIMENSIONS	THIRD ANGLE PROJECTION	DRAWING	SERIES	MATERIAL NUMBER	CUSTOMER	SHEET NUMBER
		A3-SIZE	51216	SEE TABLE	GENERAL MARKET	1 OF 2



2 CKTS.

3 CKTS.

4 CKTS.

極数レイアウト図
LAYOUT OF EACH CKTS.

白 WHITE	黒 BLACK	赤 RED	黄 YELLOW	青 BLUE	緑 GREEN
512161500	512161501	512161502 VO	512161503 VO	512161504	512161506 VO
512161400	512161401	512161402 VO	512161403 VO	512161404	512161406 VO
512161300	512161301	512161302 VO	512161303 VO	512161304	512161306 VO
512161200	512161201	512161202 VO	512161203 VO	512161204	512161206 VO
512161100	512161101	512161102 VO	512161103 VO	512161104	512161106 VO
512161000	512161001	512161002 VO	512161003 VO	512161004	512161006 VO
512160900	512160901	512160902 VO	512160903 VO	512160904	512160906 VO
512160800	512160801	512160802 VO	512160803 VO	512160804	512160806 VO
512160700	512160701	512160702 VO	512160703 VO	512160704	512160706 VO
512160600	512160601	512160602 VO	512160603	512160604	512160606 VO
512160500	512160501	512160502	512160503 VO	512160504	512160506 VO
512160400	512160401	512160402 VO	512160403	512160404	512160406 VO
512160300	512160301	512160302 VO	512160303 VO	512160304	512160306 VO
512160200	512160201	512160202 VO	512160203	512160204	512160206
R MATERIAL NO.	R MATERIAL NO.	R MATERIAL NO.	R MATERIAL NO.	R MATERIAL NO.	R MATERIAL NO.

THIS DRAWING CONTAINS INFORMATION THAT IS PROPRIETARY TO MOLEX ELECTRONIC TECHNOLOGIES, LLC AND SHOULD NOT BE USED WITHOUT WRITTEN PERMISSION		CURRENT REV DESC: REMASTERED AND OBSOLETE PART NUMBERS			
DIMENSION UNITS	SCALE	EC NO: 642933			
mm	NTS	DRWN: MKP 2020/07/22		2.0MM WIRE TO BOARD RECEPTACLE HOUSING	
GENERAL TOLERANCES (UNLESS SPECIFIED)		CHK'D: YVENKATESWAR 2020/08/05		PRODUCT CUSTOMER DRAWING	
ANGULAR TOL	± 3.0°	APPR: ISHWARG 2020/08/07		DOCUMENT NUMBER	
4 PLACES	±	INITIAL REVISION:		SD-51216-004	
3 PLACES	±	DRWN: T.YASUI 2000/02/22		DOC TYPE	
2 PLACES	± 0.2	APPR: M.FUKUSHIMA 2000/02/22		PSD	
1 PLACE	± 0.2			DOC PART	
0 PLACES	± 0.2			001	
DRAFT WHERE APPLICABLE MUST REMAIN WITHIN DIMENSIONS		THIRD ANGLE PROJECTION		REVISION	
		DRAWING		D1	
		SERIES		SHEET NUMBER	
		A3-SIZE		2 OF 2	
		51216		MATERIAL NUMBER	
		SEE TABLE		CUSTOMER	
		GENERAL MARKET			