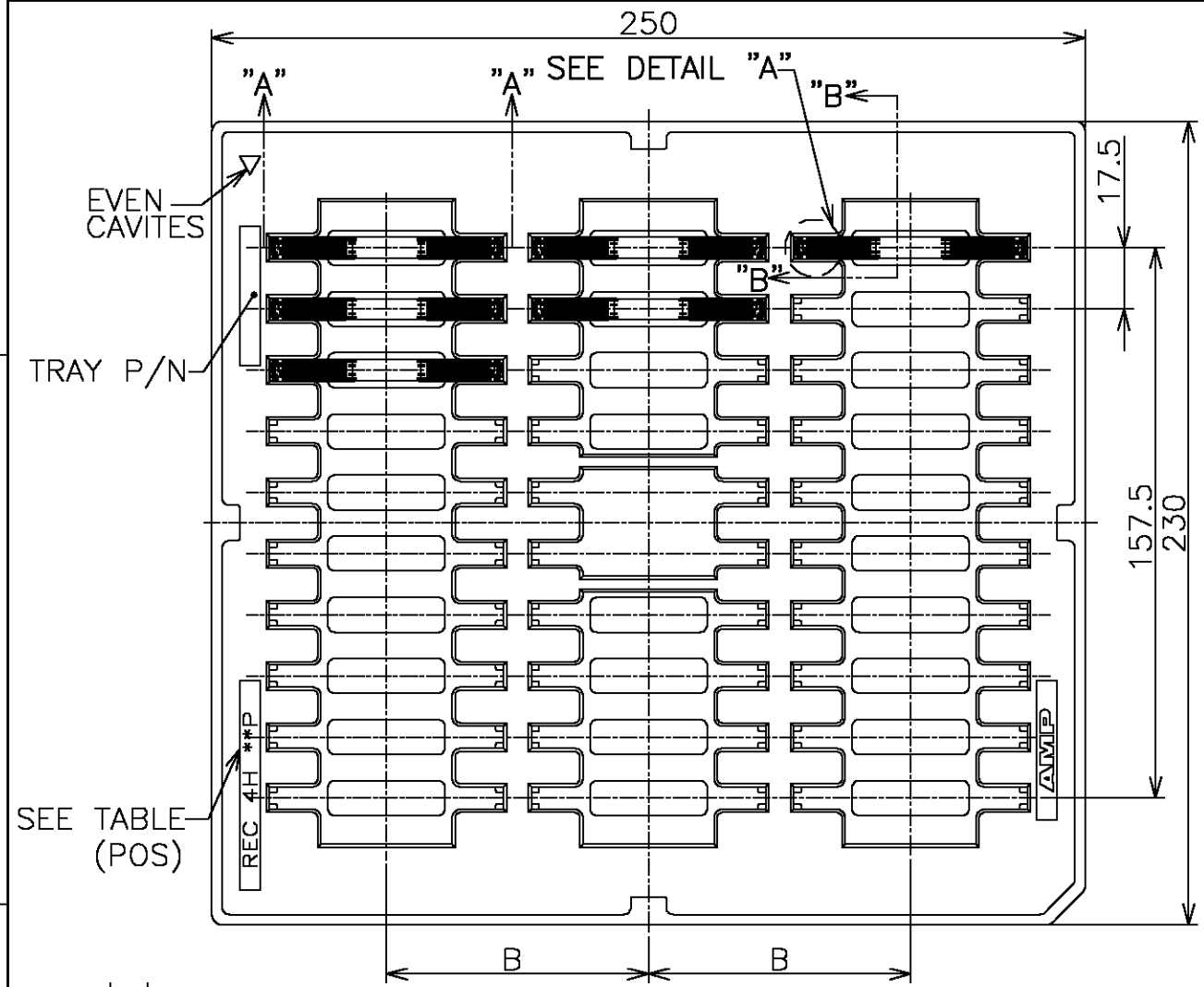
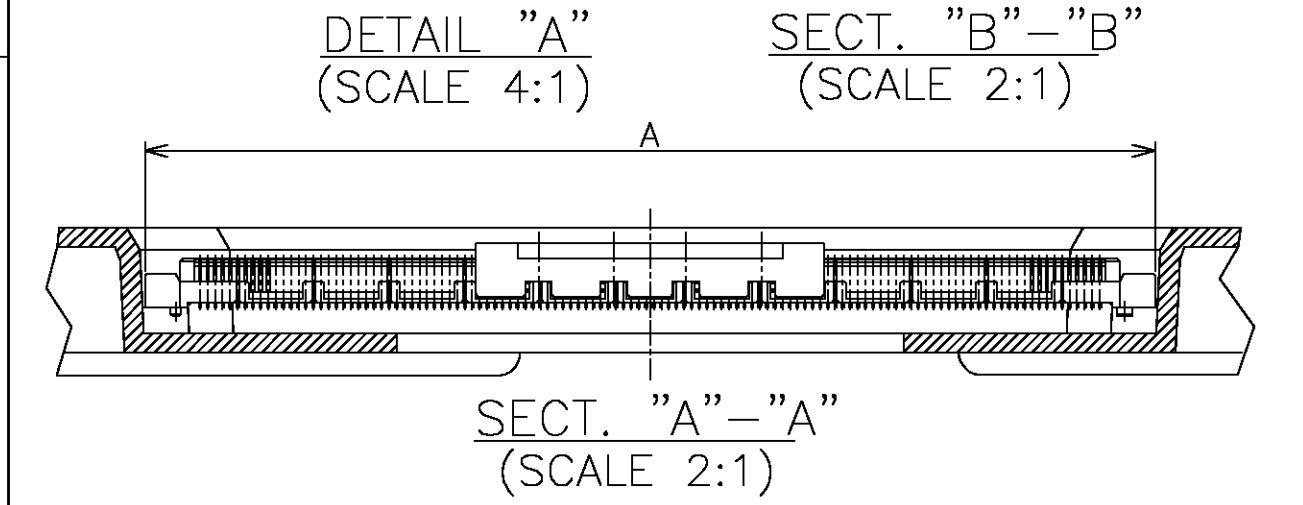
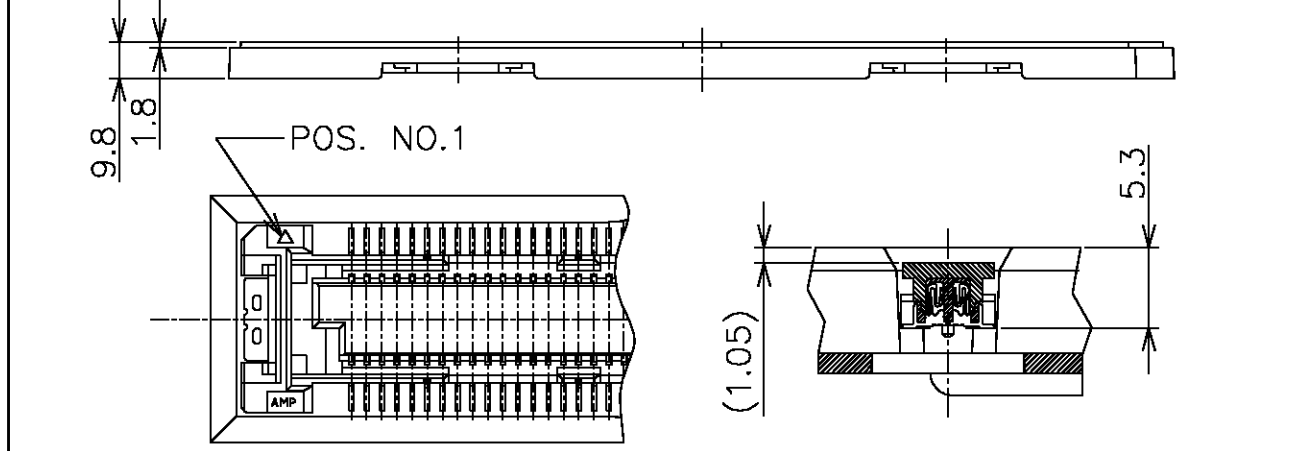


THIS DRAWING IS UNPUBLISHED. RELEASED FOR PUBLICATION
 © COPYRIGHT 2002 BY TYCO ELECTRONICS CORPORATION. ALL RIGHTS RESERVED.

LOC		DIST		REVISIONS					
J				P	LTR	DESCRIPTION	DATE	DWN	APVD
				A		REVISED(FJBO-1061-04)	30SEP04	D.L	W.K



NOTE
 Δ THIS PRODUCT WAS COATED BY FLUX-PENETRATION-INHIDITING AGENT



						HSG COLOR: BLACK		HSG COLOR: NATURAL		
TOOLING AVAIL	ROW	QTY	B	A	POS.	TRAY NO.	ON CAP CONN PN	PART NO.	ON CAP CONN PN	PART NO.
	N	3	30	↑	66.8 240	912025-1	8-353604-7	8-353606-7	6-353604-7	6-353606-7
	↑				61.8 220	7-912066-2			6-353604-6	6-353606-6
					75 56.8 200				6-353604-5	6-353606-5
					70 51.8 180				6-353604-4	6-353606-4
					49.3 170				6-353604-3	6-353606-3
					46.8 160				6-353604-2	6-353606-2
					44.3 150				6-353604-1	6-353606-1
					41.8 140				6-353604-0	6-353606-0
		3	30	↓	36.8 120				5-353604-9	5-353606-9
		5	50	↓	31.8 100				5-353604-8	5-353606-8
					29.3 90				5-353604-7	5-353606-7
					26.8 80				5-353604-6	5-353606-6
					24.3 70				5-353604-5	5-353606-5
					21.8 60				5-353604-4	5-353606-4
					19.3 50				5-353604-3	5-353606-3
					16.8 40				5-353604-2	5-353606-2
	N	5	50	↓	14.3 30	912025-1	3-353604-7	3-353606-7	1-353604-7	1-353606-7
	Y	3	30	↑	66.8 240	7-912066-2	3-353604-6		1-353604-6	1-353606-6
					75 56.8 200		3-353604-5		1-353604-5	1-353606-5
					70 51.8 180		3-353604-4		1-353604-4	1-353606-4
					49.3 170		3-353604-3		1-353604-3	1-353606-3
					46.8 160		3-353604-2		1-353604-2	1-353606-2
					44.3 150		3-353604-1		1-353604-1	1-353606-1
					41.8 140		3-353604-0		1-353604-0	1-353606-0
		3	30	↓	36.8 120		2-353604-9		353604-9	353606-9
		5	50	↓	31.8 100		2-353604-8		353604-8	353606-8
					29.3 90		2-353604-7		353604-7	353606-7
					26.8 80		2-353604-6		353604-6	353606-6
					24.3 70		2-353604-5		353604-5	353606-5
					21.8 60		2-353604-4		353604-4	353606-4
					19.3 50		2-353604-3		353604-3	353606-3
					16.8 40		2-353604-2		353604-2	353606-2
	N	5	50	↓	14.3 30		2-353604-1		353604-1	353606-1

THIS DRAWING IS A CONTROLLED DOCUMENT.

DWN: D.LIU 30SEP04
 CHK: T.FUTATSUGI 30SEP04
 APVD: W.KODAMA 30SEP04

tyco Electronics Tyco Electronics AMP K.K. Kawasaki, Japan

NAME: HARD TRAY ASSY
 FH0.5 BTB CONN. REC4H WITH G-CONT. ON CAP

PRODUCT SPEC: 108-5560
 APPLICATION SPEC

SIZE: A3 CAGE CODE: 00779 DRAWING NO: C-353606 RESTRICTED TO: A

MATERIAL: FINISH: WEIGHT: CUSTOMER DRAWING SCALE: 1:2 SHEET: 1 OF 1 REV: A