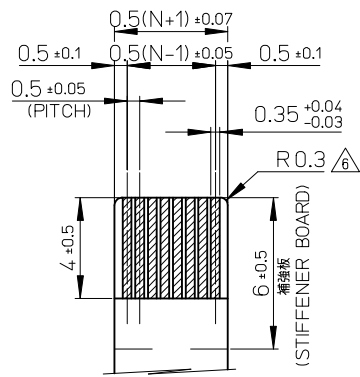


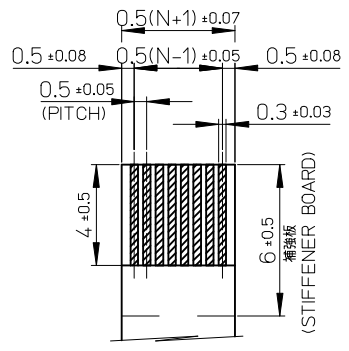
21.6	19.6	15.65	14.5	52437-3072	30
21.1	19.1	15.15	14.0	52437-2972	29
20.6	18.6	14.65	13.5	52437-2872	28
20.1	18.1	14.15	13.0	52437-2772	27
19.6	17.6	13.65	12.5	52437-2672	26
19.1	17.1	13.15	12.0	52437-2572	25
18.6	16.6	12.65	11.5	52437-2472	24
18.1	16.1	12.15	11.0	52437-2372	23
17.6	15.6	11.65	10.5	52437-2272	22
17.1	15.1	11.15	10.0	52437-2172	21
D	C	B	(A)	EMBOSSED PACKAGE ORDER No. オーダー番号	極数 CKT.

CONNECTOR SERIES NO. : 52437-***26

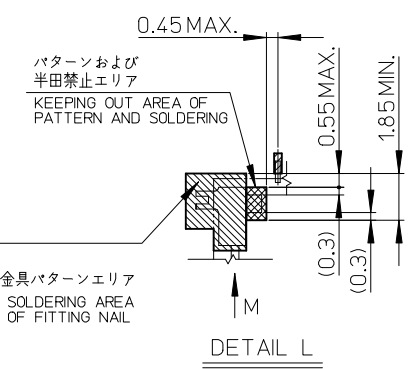
REVISED EC NO. J2013-1532 2013/06/21 DRWN: INOUE01 2013/06/21 CHKD: HIJIMA 2013/06/21 APPR: YNOGAWA 2013/06/28	GENERAL TOLERANCES (UNLESS SPECIFIED)		DIMENSION STYLE MM ONLY		SCALE ---		DESIGN UNITS METRIC		THIRD ANGLE PROJECTION		
	10 UNDER	±0.2	DRAWN BY	DATE	TITLE						
	10 OVER 30 UNDER	±0.25	YSAKIYAM	'04/01/08	0.5 FPC CONN. ZIF FOR SMT R/A (BOTTOM CONTACT) TIN-BISMUTH PLATING molex						
	30 OVER	±0.3	MSASAO	'04/01/08							
ANGULAR ±3 °		APPROVED BY		DATE		MATERIAL NO.		DOCUMENT NO.			
DRAFT WHERE APPLICABLE MUST REMAIN WITHIN DIMENSIONS		MSASAO		'04/01/08		SEE CHART		SD-52437-017			
		SIZE A3		THIS DRAWING CONTAINS INFORMATION THAT IS PROPRIETARY TO MOLEX INCORPORATED AND SHOULD NOT BE USED WITHOUT WRITTEN PERMISSION						SHEET NO. 1 OF 2	



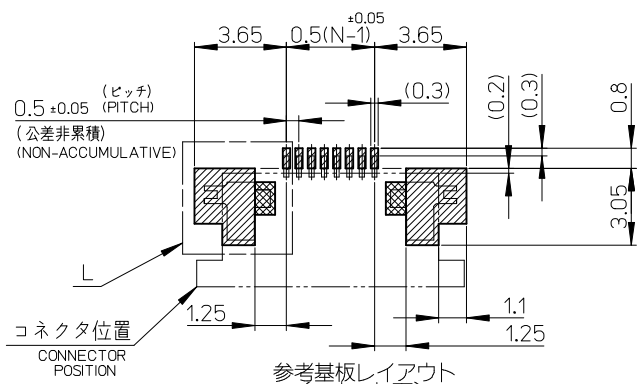
適合錫系めっきFPC推奨寸法
 APPLICABLE FPC OF TIN
 PLATING RECOMMENDED DIMENSION
 仕上がり厚さ: 0.3±0.05
 THICKNESS: 0.3+0.05/-0.05



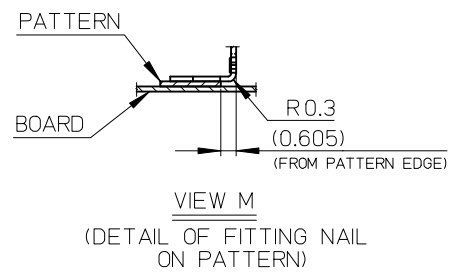
適合錫系めっきFFC推奨寸法
 APPLICABLE FFC OF TIN
 PLATING RECOMMENDED DIMENSION
 仕上がり厚さ: 0.3±0.05
 THICKNESS: 0.3+0.05/-0.05



DETAIL L



参考基板レイアウト
 (マウント面)
 RECOMMENDED P.C.BOARD
 PATTERN DIMENSION (REF.)
 (MOUNTING SIDE)



VIEW M
 (DETAIL OF FITTING NAIL
 ON PATTERN)

注記NOTES

1. 使用材料
 MATERIAL
 ハウジング: 46ナイロン、ガラス充填、UL94V-0、白
 HOUSING: PA46, GLASS FILLED, UL94V-0, WHITE
 アクチュエータ: ポリフェニレンサルフィド (PPS)、ガラス充填、UL94V-0、茶色
 ACTUATOR: POLYPHENYLENE SULFIDE, GLASS FILLED, UL94V-0, BROWN
 ターミナル: リン青銅、ニッケル下地錫ビスマスめっき (t=0.2)
 TERMINAL: PHOSPHOR BRONZE, TIN BISMUTH OVER NICKEL PLATING
 金具: リン青銅、ニッケル下地錫めっき (t=0.2)
 FITTING NAIL: PHOSPHOR BRONZE, TIN OVER NICKEL PLATING
2. エンボステープ梱包時は、アクチュエータがロックした状態になります。
 IN THE PACKAGE, ACTUATOR OF PART NO.52437-**-**26 SHOULD BE LOCKED.
- △ ソルダータール半田付け面のズレ量、及び金具半田付け面のズレ量は、基準面Hに対して上方向に0.1MAXIMUM、下方向0.15MAXIMUMとする。
 MISALIGNMENT OF SOLDER TAILS AND FITTING NAILS FROM DATUM-H.
 UPPER DIRECTION: 0.1MAXIMUM
 LOWER DIRECTION: 0.15 MAXIMUM
- △ 偶数極に適用
 APPLY FOR EVEN CIRCUIT.
- △ ハターン剥離止め金具
 FITTING NAIL FOR PREVENTION OF PEELING OF P.W.B. PATTERN.
- △ R0.3は、FPCの導体部にかからないこと
 R0.3 MUST NOT BE OVERLAPED TO PATTERN OF FPC.
7. ソルダータールの平坦度は、0.1MAXIMUMとする。
 SOLDER TAIL COPLANARITY IS 0.1 MAXIMUM.
8. ELV 及び RoHS 適合品
 ELV AND RoHS COMPLIANT

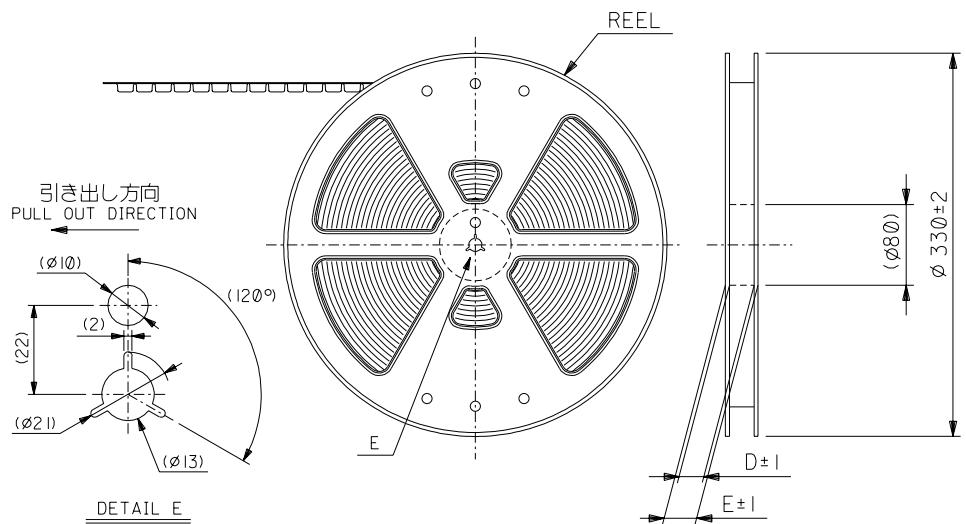
FPCについて:

打抜き方向は導体側から補強板側を推奨致します。
 補強フィルム材質はポリイミドを推奨致します。
 接着剤は熱硬化接着剤を推奨致します。

ABOUT FPC:

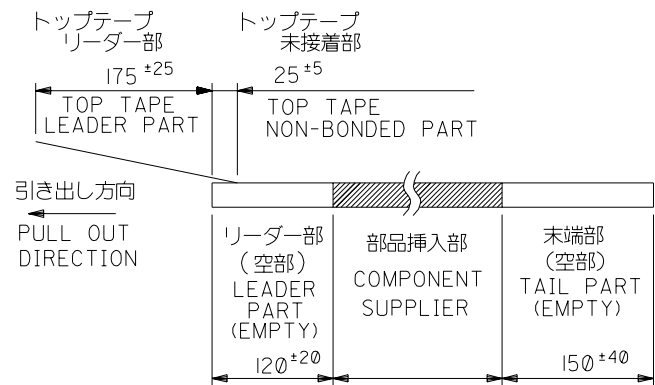
RECOMMENDED PUNCHER DIRECTION :
 FROM CONDUCTOR SIDE TO STIFFENER BOARD SIDE.
 RECOMMENDED MATERIAL:
 STIFFENER FILM : POLYIMIDE
 BONDING AGENT : THERMOSETTING BONDING AGENT

REVISED EC NO: J2013-1532 2013/06/21 DRWNN:INOUE01 2013/06/21 CHKDHI:JIMA 2013/06/21 APPR:YNOGAWA 2013/06/28	DESCRIPTION	GENERAL TOLERANCES (UNLESS SPECIFIED)		DIMENSION STYLE MM ONLY		SCALE ---	DESIGN UNITS METRIC	THIRD ANGLE PROJECTION	
		10 UNDER	±0.2	DRAWN BY YSAKIYAM	DATE '04/01/08	TITLE 0.5 FPC CONN. ZIF FOR SMT R/A (BOTTOM CONTACT) TIN-BISMUTH PLATING			
		10 OVER 30 UNDER	±0.25	CHECKED BY MSASAO	DATE '04/01/08				
		30 OVER	±0.3	APPROVED BY MSASAO	DATE '04/01/08				
REV	ANGULAR	±3 °	MATERIAL NO. SEE CHART		DOCUMENT NO. SD-52437-017		SHEET NO. 2 OF 2		
DRAFT WHERE APPLICABLE MUST REMAIN WITHIN DIMENSIONS		SIZE A3		THIS DRAWING CONTAINS INFORMATION THAT IS PROPRIETARY TO MOLEX INCORPORATED AND SHOULD NOT BE USED WITHOUT WRITTEN PERMISSION					



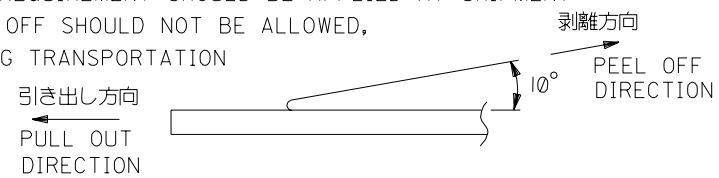
注記 NOTES

- 製品番号 52437-***26 の梱包状態はアクチュエータがロックした状態とする。
 詳細寸法については図面 SD-52437-017 を参照下さい。
 IN THE PACKAGE,ACTUATOR OF PART NO.52437-***26 SHOULD BE LOCKED RE DETAILED DIMENSIONS,SEE SD-52437-017.
- 梱包数量：1000個/リール
 NUMBER OF CONNECTORS:1000PCS/REEL
- リードテープ長さ LEAD TAPE LENGTH



- トップテープの剥離強度：(剥離方向は下図参照)
 0.1N~1.3N {10gf~130gf}尚、本規格値は、出荷時に適用。
 (但し、輸送時に剥離が発生しない事。)

PEELING OFF FORCE OF TOP TAPE
 0.1N ~ 1.3N (10gf ~ 130gf) (PEELING DIRECTION AS SHOWN IN FOLLOWING FIG.)
 THIS REQUIREMENT SHOULD BE APPLIED AT SHIPMENT
 PEEL OFF SHOULD NOT BE ALLOWED,
 DURING TRANSPORTATION



- 材料 (MATERIAL)
 キャリアテープ (CARRIER TAPE) : ポリプロピレン (POLYPROPYLENE)
 トップテープ (TOPTAPE) : PET, PE, PEF
 リール (REEL) : ポリスチレン (PS) <リサイクル材を含む>
 POLYSTYREN (PS) <RECYCLE MATERIAL CONTAINED>

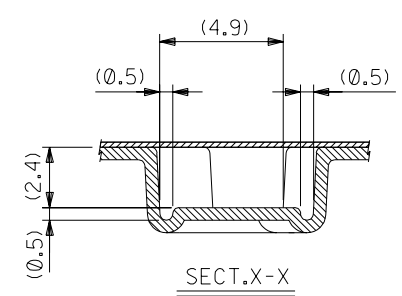
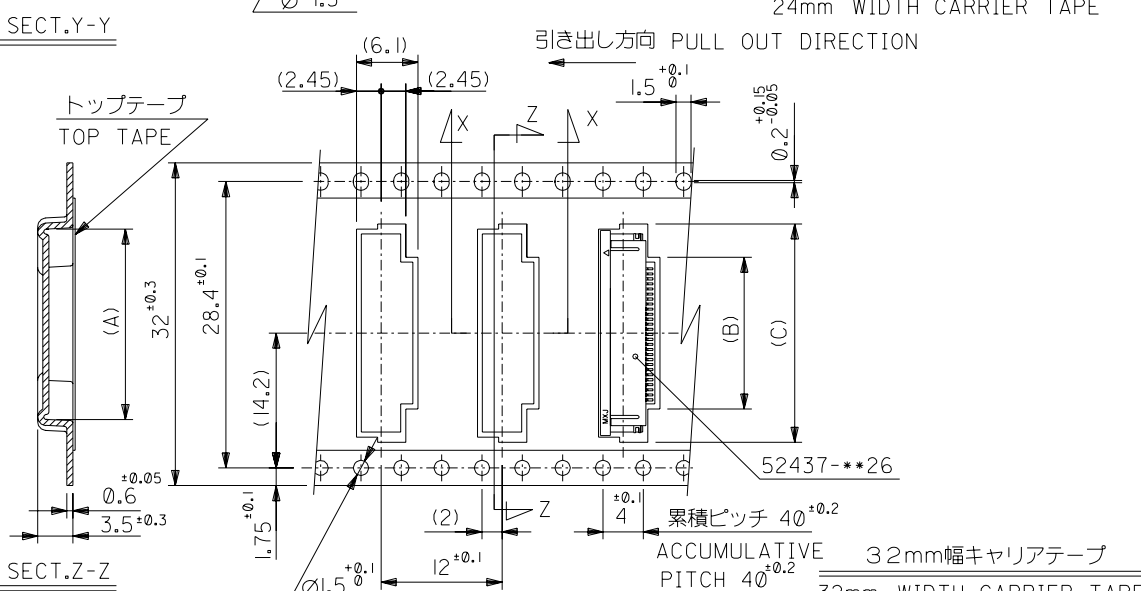
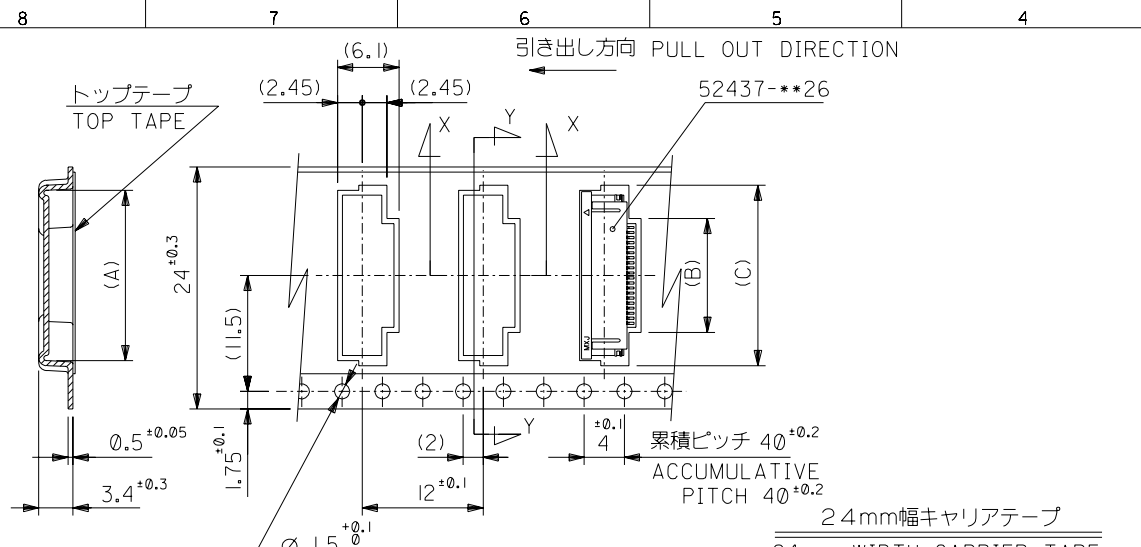
6. 本製品は 52437-***91 の鉛フリー品である。
 THIS PRODUCT IS LEAD FREE OF 52437-***91.

DO NOT SCALE DRAWING

EC NO. DRWN: CHK: APPR:	EC NO. DRWN: CHK: APPR:	EC NO. DRWN: CHK: APPR:	REVISED '04/02/09	MATERIAL 材料	GENERAL TOLERANCES: (UNLESS SPECIFIED) 一般公差	SCALE	DESIGN UNITS	THIRD ANGLE PROJECTION	DIMENSIONS:		SHT	REV
			EC NO. J2004-2350			DESCRIPTION	10 UNDER 未満		mm	mm	REVISION ON CAD ONLY	
			DRWN: N.AIDA				30 UNDER 未満		mm	mm		
			CHK: K.TOJO				30 OVER 以上		mm	mm		
APPR: M.SASAO	ANGLE 角度	mm	mm									
EC NO. J2004-1850	FINISH 仕上げ	3°	mm	mm	DRAWN BY & DATE Y.SAKIYAMA '04/01/08		TITLE: 0.5 FPC Conn Assy ZIF SMT RA With Tape Embstp Pkg -LEAD FREE-		SHEET NO. 1 OF 3			
DRWN: Y.SAKIYAMA	適用 適用範囲	APPROVED BY & DATE M.SASAO '04/01/08		MOLEX MOLEX INCORPORATED								
CHK: M.SASAO	INS. RANGE 被覆外径	CAD FILENAME SD-52437-018.S01		MATERIAL NO. 52437-***72	DRAWING NO. SD-52437-018							
APPR: M.SASAO	REV	THIS DRAWING CONTAINS INFORMATION THAT IS PROPRIETARY TO MOLEX INCORPORATED AND SHOULD NOT BE USED WITHOUT WRITTEN PERMISSION.		SIZE B								

DO NOT SCALE DRAWING

DWG. NO.
SD-52437-018



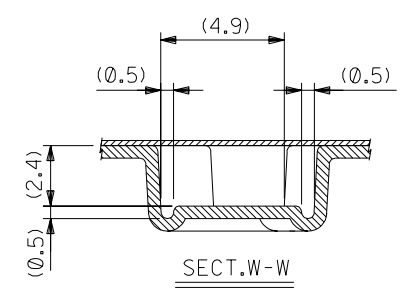
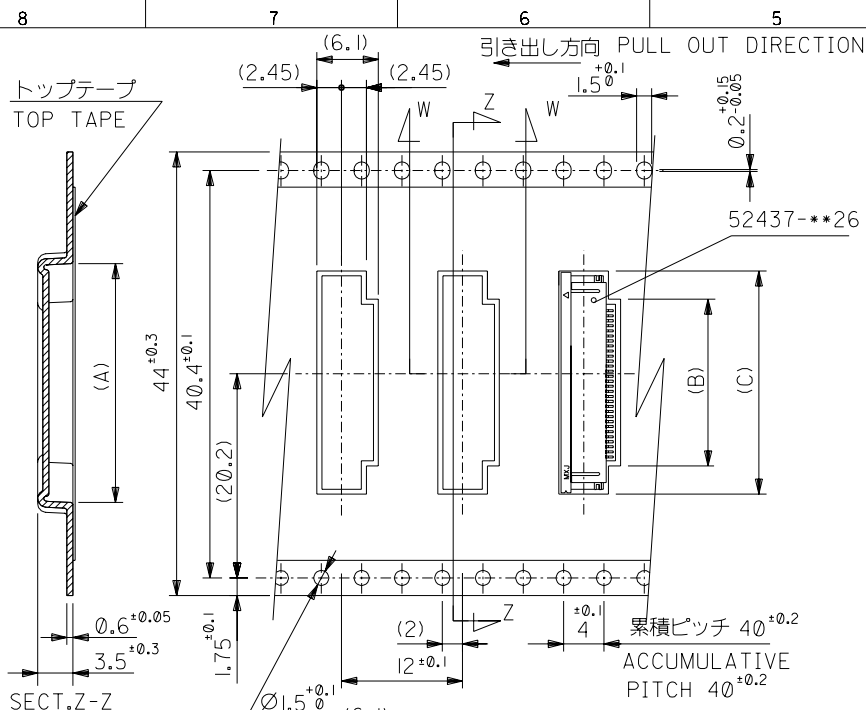
32	37.4	33.4	22.4	15.8	21.4	52437-2972	29
			21.9	15.3	20.9	-2872	28
			21.4	14.8	20.4	-2772	27
			20.9	14.3	19.9	-2672	26
			20.4	13.8	19.4	-2572	25
			19.9	13.3	18.9	-2472	24
			19.4	12.8	18.4	-2372	23
			18.9	12.3	17.9	-2272	22
			17.9	11.3	16.9	-2072	20
			17.4	10.8	16.4	-1972	19
24	29.4	25.4	16.9	10.3	15.9	-1872	18
			16.4	9.8	15.4	-1772	17
			15.9	9.3	14.9	-1672	16
			15.4	8.8	14.4	-1572	15
			14.9	8.3	13.9	-1472	14
			14.4	7.8	13.4	-1372	13
			13.9	7.3	12.9	-1272	12
			13.4	6.8	12.4	-1172	11
			12.9	6.3	11.9	-1072	10
			12.4	5.8	11.4	-0972	9
11.9	5.3	10.9	-0872	8			
11.4	4.8	10.4	-0772	7			
10.9	4.3	9.9	52437-0672	6			

キャリアテープ幅 CARRIER TAPE WIDTH	E	D	(C)	(B)	(A)	MATERIAL NO.	極数 CIRCUIT
SCALE		DESIGN UNITS		THIRD ANGLE PROJECTION		DIMENSIONS:	
1/1		mm <input checked="" type="checkbox"/> INCH <input type="checkbox"/>		mm <input type="checkbox"/> INCH <input type="checkbox"/>		mm ONLY <input checked="" type="checkbox"/>	
DRAWN BY & DATE		CHECKED BY & DATE		APPROVED BY & DATE		TITLE:	
Y.SAKIYAMA '04/01/08		M.SASAO '04/01/08		M.SASAO '04/01/08		0.5 FPC Conn Assy ZIF SMT RA With Tape Embstp Pkg -LEAD FREE-	
CAD FILENAME		MATERIAL NO.		DRAWING NO.		SHEET NO.	
SD-52437-018.S02		52437-***72		SD-52437-018		2 OF 3	
THIS DRAWING CONTAINS INFORMATION THAT IS PROPRIETARY TO MOLEX INCORPORATED AND SHOULD NOT BE USED WITHOUT WRITTEN PERMISSION.							SIZE
							B

EC NO. DRWN: CHK: APPR:	EC NO. DRWN: CHK: APPR:	EC NO. DRWN: CHK: APPR:	REVISED '04/02/09 EC NO. J2004-2350 DRWN: N.AIDA CHK: K.TOJO APPR: M.SASAO	RELEASED '04/01/08 EC NO. J2004-1850 DRWN: Y.SAKIYAMA CHK: M.SASAO APPR: M.SASAO	MATERIAL 材料 SHEET 1 OF 3 参照 REFER TO SHEET 1 OF 3	GENERAL TOLERANCES: (UNLESS SPECIFIED) 一般公差	SCALE	DESIGN UNITS	THIRD ANGLE PROJECTION	DIMENSIONS:	SHT	REV
					FINISH 仕上げ	10 UNDER 未満	1/1	mm <input checked="" type="checkbox"/> INCH <input type="checkbox"/>	<input checked="" type="checkbox"/>	mm ONLY <input checked="" type="checkbox"/>		
					WIRE RANGE 適用層線範囲	10 OVER 30 UNDER 未満						
					INS. RANGE 被覆外径	30 OVER 以上						
					REV	ANGLE 角度						

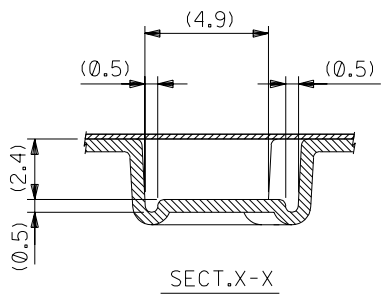
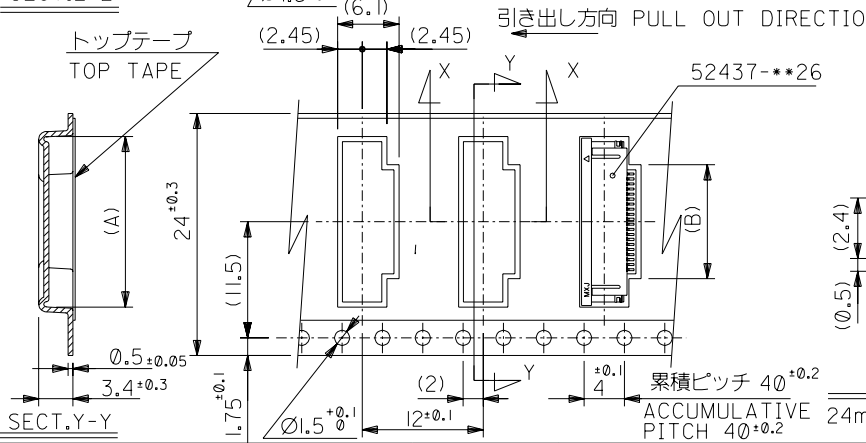
DO NOT SCALE DRAWING

DWG. NO.
SD-52437-018



44mm幅キャリアテープ
44mm WIDTH CARRIER TAPE

44	49.4	45.4	22.9	16.3	21.9	52437-3072	30
キャリアテープ幅 CARRIER TAPE WIDTH	E	D	(C)	(B)	(A)	MATERIAL NO.	極数 CIRCUIT



24mm幅キャリアテープ
24mm WIDTH CARRIER TAPE

24	29.4	25.4	11.8	17.4	52437-2172	21
キャリアテープ幅 CARRIER TAPE WIDTH	E	D	(B)	(A)	MATERIAL NO.	極数 CIRCUIT

EC NO. DRWN: CHK: APPR:	EC NO. DRWN: CHK: APPR:	EC NO. DRWN: CHK: APPR:	REVISED '04/02/09 EC NO. J2004-2350 DRWN: N.AIDA CHK: K.TOJO APPR: M.SASAO	RELEASED '04/01/08 EC NO. J2004-1850 DRWN: Y.SAKIYAMA CHK: M.SASAO APPR: M.SASAO
A				

MATERIAL 材料	SHEET 1 OF 3 参照 REFER TO SHEET 1 OF 3
FINISH 仕上げ	
WIRE RANGE 適用線径範囲	
INS. RANGE 被覆外径	

GENERAL TOLERANCES: (UNLESS SPECIFIED) 一般公差	SCALE —//	DESIGN UNITS <input checked="" type="checkbox"/> mm <input type="checkbox"/> INCH
10 UNDER 未満	±0.2	DRAWN BY & DATE Y.SAKIYAMA '04/01/08
10 OVER 30 UNDER 以上 未満	±0.25	CHECKED BY & DATE M.SASAO '04/01/08
30 OVER 以上	±0.3	APPROVED BY & DATE M.SASAO '04/01/08
ANGLE 角度	±3°	CAD FILENAME SD-52437-018.S03

THIRD ANGLE PROJECTION		DIMENSIONS: <input type="checkbox"/> mm <input type="checkbox"/> INCH <input checked="" type="checkbox"/> mm <input type="checkbox"/> INCH		SHT REV
TITLE: 0.5 FPC Conn Assy ZIF SMT RA With Tape Embstp Pkg -LEAD FREE-		REVISIONS		
MOLEX MOLEX INCORPORATED		MATERIAL NO. 52437-***72		
DRAWING NO. SD-52437-018		SHEET NO. 3 OF 3		
THIS DRAWING CONTAINS INFORMATION THAT IS PROPRIETARY TO MOLEX INCORPORATED AND SHOULD NOT BE USED WITHOUT WRITTEN PERMISSION.				SIZE B