



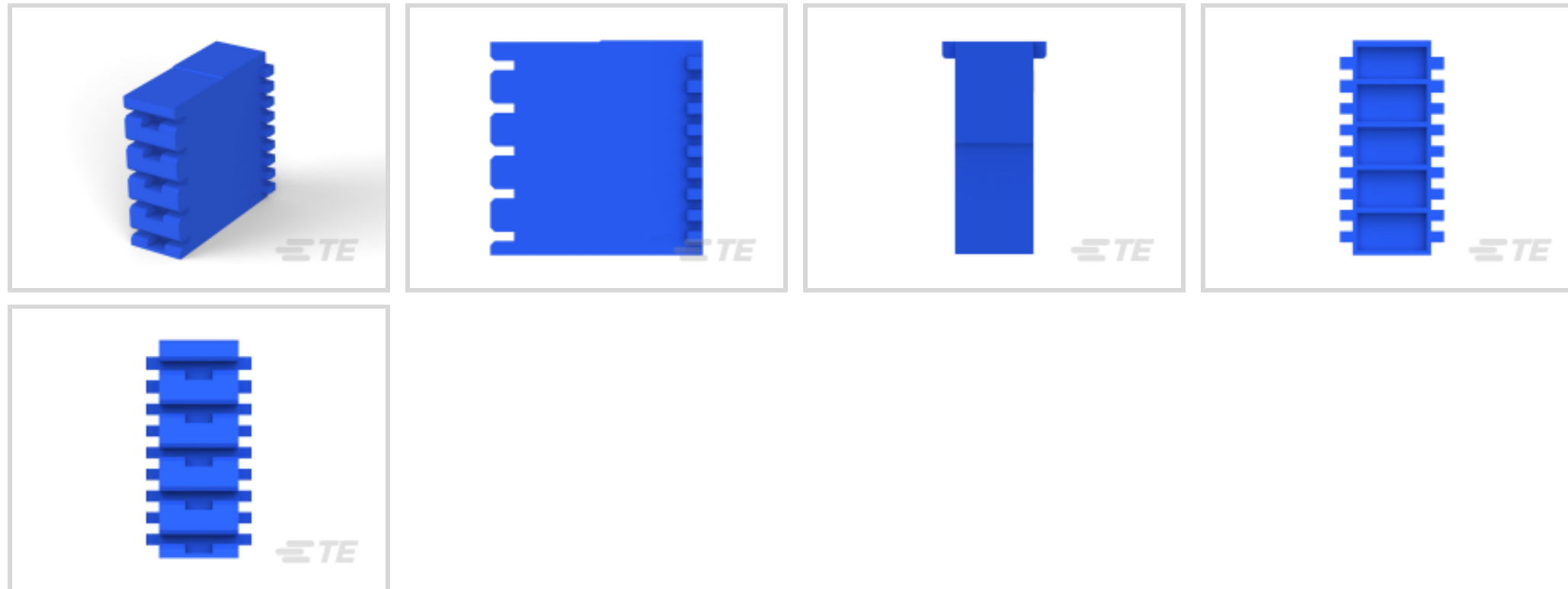
AMP

TE Internal #: 521207-1

Housing, Receptacle, Wire-to-Wire, 5 Position, 5 mm [.197 in]  
Centerline, Crimp, 1 Row, Blue, Mating Retention, Wire & Cable,  
Power & Signal

[View on TE.com >](#)

Connectors > PCB Connectors > Wire-to-Board Connectors > Wire-to-Board Connector Assemblies & Housings



Connector Product Type: **Housing**

Connector & Housing Type: **Receptacle**

Connector System: **Wire-to-Wire**

Number of Positions: **5**

Centerline (Pitch): **5 mm [.197 in]**

**Features**

**Product Type Features**

Connector Product Type	Housing
Connector & Housing Type	Receptacle
Connector System	Wire-to-Wire
Sealable	No
Connector & Contact Terminates To	Wire & Cable

**Configuration Features**

Number of Positions	5
Number of Rows	1

**Contact Features**

Contact Layout	Inline
Contact Type	Socket
Contact Base Material	Brass

**Termination Features**

Termination Method to Wire & Cable	Crimp
------------------------------------	-------



### Mechanical Attachment

Strain Relief	Without
Panel Mount Feature	Without
PCB Mount Retention	Without
Mating Retention Type	Latch
Mating Retention	With
Connector Mounting Type	Cable Mount (Free-Hanging)

### Housing Features

Housing Entry Configuration	Both Ends Closed
Housing Material	Nylon 6/66
Centerline (Pitch)	5 mm [.197 in]
Housing Color	Blue

### Dimensions

Connector Length	9.2 mm [.362 in]
Connector Height	12.2 mm [.48 in]
Row-to-Row Spacing	5 mm [.197 in]

### Usage Conditions

Operating Temperature Range	-40 – 110 °C [-40 – 230 °F]
-----------------------------	-----------------------------

### Operation/Application

Circuit Application	Power & Signal
---------------------	----------------

### Industry Standards

Glow Wire Rating	Standard Part - Not Glow Wire
UL Flammability Rating	UL 94V-0

### Packaging Features

Packaging Quantity	1
Packaging Method	Package

### Product Compliance

[For compliance documentation, visit the product page on TE.com>](#)

EU RoHS Directive 2011/65/EU	Compliant
EU ELV Directive 2000/53/EC	Compliant

China RoHS 2 Directive MIIT Order No 32, 2016

No Restricted Materials Above Threshold

EU REACH Regulation (EC) No. 1907/2006

Current ECHA Candidate List: JUNE 2022 (224)

Candidate List Declared Against: JAN 2022 (223)

SVHC &gt; Threshold:

Not Yet Reviewed

Halogen Content

Low Halogen - Br, Cl, F, I &lt; 900 ppm per homogenous material. Also BFR/CFR/PVC Free

Solder Process Capability

Not applicable for solder process capability

## Product Compliance Disclaimer

This information is provided based on reasonable inquiry of our suppliers and represents our current actual knowledge based on the information they provided. This information is subject to change. The part numbers that TE has identified as EU RoHS compliant have a maximum concentration of 0.1% by weight in homogenous materials for lead, hexavalent chromium, mercury, PBB, PBDE, DBP, BBP, DEHP, DIBP, and 0.01% for cadmium, or qualify for an exemption to these limits as defined in the Annexes of Directive 2011/65/EU (RoHS2). Finished electrical and electronic equipment products will be CE marked as required by Directive 2011/65/EU. Components may not be CE marked. Additionally, the part numbers that TE has identified as EU ELV compliant have a maximum concentration of 0.1% by weight in homogenous materials for lead, hexavalent chromium, and mercury, and 0.01% for cadmium, or qualify for an exemption to these limits as defined in the Annexes of Directive 2000/53/EC (ELV). Regarding the REACH Regulation, the information TE provides on SVHC in articles for this part number is based on the latest European Chemicals Agency (ECHA) 'Guidance on requirements for substances in articles' posted at this URL: <https://echa.europa.eu/guidance-documents/guidance-on-reach>

## Compatible Parts






TE Part # 521209-2  
HSG POSI-LOCK MARK III



TE Part # 521210-3  
HSG, POS-LOC, MKIII, 250SERIES, 6P



TE Part # 521267-1  
POSI-LOK HSG.250-5 POS RAST5



TE Part # 521206-2  
250 SERIES 4 POS POSILOK HSG



TE Part # 521206-4  
HSG, POSI-LOCK MKIII RAST, 4P



TE Part # 521206-5  
HSG, RECP, POSI-LOCK MKIII, 4P



TE Part # 521207-2  
POSI-LOK HSG 250 5P RAST5



TE Part # 521207-5  
HSG POSI-LOK 250 (05-B) RAST



TE Part # 521208-2  
HOUSING POSITIVE LOCK RAST



TE Part # 521210-4  
HSG, POSILOCK, MKIII, 8 POS, 250

### Customers Also Bought



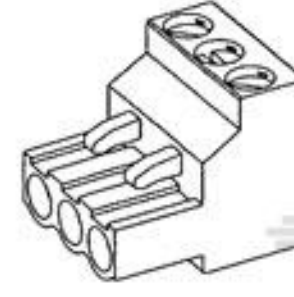
TE Part #42742-1  
250 FASTON FLAG REC 18-12 AWG BR



TE Part #1217094-1  
RCPT 250 POS-LOCK 18-14 0126BR



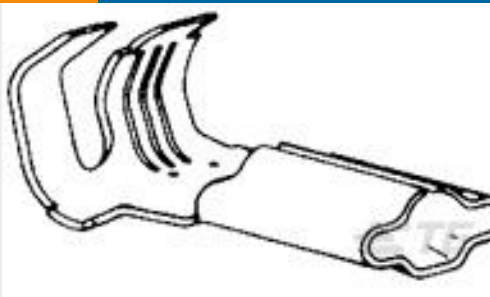
TE Part #2217206-5  
Blade, Slug



TE Part #796640-4  
4 POS 5.0 MM R/A PLUG, TRM BLK



TE Part #42563-8  
250 FASTON FLAG REC 12-10 AWG TPBZ



TE Part #60376-1  
PIN 090 RECEPTACLE 20-14 AWG TPPHBZ



TE Part #1-1803016-1  
Crimper, Insulation F



TE Part #2119791-5  
Depressor, Wire

### Documents



### Product Drawings

[POSI-LOK HSG.250-5 POS RAST5](#)

English

---

### CAD Files

[3D PDF](#)

3D

Customer View Model

[ENG\\_CVM\\_CVM\\_521207-1\\_P.2d\\_dxf.zip](#)

English

Customer View Model

[ENG\\_CVM\\_CVM\\_521207-1\\_P.3d\\_igs.zip](#)

English

Customer View Model

[ENG\\_CVM\\_CVM\\_521207-1\\_P.3d\\_stp.zip](#)

English

By downloading the CAD file I accept and agree to the [Terms and Conditions](#) of use.

---

### Datasheets & Catalog Pages

[1654742\\_HOUSEHOLD\\_APPLIANCES\\_RAST5](#)

English

---

### Product Environmental Compliance

[TE Material Declaration](#)

English