

521212-2 ✓ ACTIVE

Ultra-Pod | Ultra-Pod 187

TE Internal #: 521212-2

Quick Disconnects, Receptacle, 18 – 14 AWG Wire Size, .82 – 2.08 mm² Wire Size, Mating Tab Width .187 in [4.75 mm], Straight, Brass, Ultra-Pod 187

[View on TE.com >](#)



Terminals & Splices > Quick Disconnects > ULTRA POD: Straight, Receptacle Assembly, Tin Plated, .187 inch



Quick Disconnect Terminal Type: **Receptacle**

Wire Size: **.82 – 2.08 mm²**

Mating Tab Width: **4.75 mm [.187 in]**

Mating Tab Thickness: **.51 mm [.02 in]**

All ULTRA POD: Straight, Receptacle Assembly, Tin Plated, .187 inch (12)

Features

Product Type Features

Terminates To	Wire & Cable
Wire/Cable Type	Regular Wire
Insertion Force	Low
Sealable	No

Configuration Features

Connection Capacity	Single
---------------------	--------

Electrical Characteristics

Voltage (Max)	600 V
---------------	-------

Body Features

Insulation Material	Nylon
---------------------	-------

Contact Features

Quick Disconnect Terminal Type	Receptacle
Mating Tab Width	4.75 mm[.187 in]



Mating Tab Thickness	.51 mm[.02 in]
Terminal Orientation	Straight
Contact Base Material	Brass
Terminal Plating Material	Tin
Crimp Type	F-Crimp
Barrel Type	Open

Mechanical Attachment

Wire Insulation Support	With
-------------------------	------

Dimensions

Accepts Wire Insulation Diameter Range	2.79 – 4.57 mm[.11 – .18 in]
Receptacle Terminal Stock Thickness	.36 mm[.014 in]
Overall Length	28.37 mm[1.117 in]
Wire Size	.82 – 2.08 mm ²

Usage Conditions

Insulation Option	Uninsulated
Operating Temperature Range	-40 – 150 °C[-40 – 302 °F]

Industry Standards

UL Flammability Rating	UL 94V-0
CSA Certified	Yes
UL Rating	Listed

Packaging Features

Packaging Quantity	2000
Packaging Method	Strip/Reel

Other

Barrel Color	Natural
--------------	---------

Product Compliance

[For compliance documentation, visit the product page on TE.com>](#)

EU RoHS Directive 2011/65/EU	Compliant
EU ELV Directive 2000/53/EC	Compliant
China RoHS 2 Directive MIIT Order No 32, 2016	No Restricted Materials Above Threshold
EU REACH Regulation (EC) No. 1907/2006	



Current ECHA Candidate List: JUNE 2022
(224)

Candidate List Declared Against: JAN 2022
(223)

SVHC > Threshold:
Not Yet Reviewed

Halogen Content	Low Halogen - Br, Cl, F, I < 900 ppm per homogenous material. Also BFR/CFR/PVC Free
-----------------	---

Solder Process Capability	Not applicable for solder process capability
---------------------------	--

Product Compliance Disclaimer

This information is provided based on reasonable inquiry of our suppliers and represents our current actual knowledge based on the information they provided. This information is subject to change. The part numbers that TE has identified as EU RoHS compliant have a maximum concentration of 0.1% by weight in homogenous materials for lead, hexavalent chromium, mercury, PBB, PBDE, DBP, BBP, DEHP, DIBP, and 0.01% for cadmium, or qualify for an exemption to these limits as defined in the Annexes of Directive 2011/65/EU (RoHS2). Finished electrical and electronic equipment products will be CE marked as required by Directive 2011/65/EU. Components may not be CE marked. Additionally, the part numbers that TE has identified as EU ELV compliant have a maximum concentration of 0.1% by weight in homogenous materials for lead, hexavalent chromium, and mercury, and 0.01% for cadmium, or qualify for an exemption to these limits as defined in the Annexes of Directive 2000/53/EC (ELV). Regarding the REACH Regulation, the information TE provides on SVHC in articles for this part number is based on the latest European Chemicals Agency (ECHA) 'Guidance on requirements for substances in articles' posted at this URL: <https://echa.europa.eu/guidance-documents/guidance-on-reach>

Compatible Parts



TE Part # CAT-UL8-187021
ULTRA POD: Straight, Receptacle Assembly, Tin Plated, .187 inch



TE Part # CAT-UL8-250
ULTRA POD: Straight, Receptacle Assembly, Tin Plated, 0.25 inch




TE Part # CAT-UL8-2502
ULTRA POD: Straight, Receptacle Assembly, Unplated, .250 inch



TE Part # 680878-4
U.POD.187 9SAPR090F180F2100 LM

Also in the Series | Ultra-Pod 187

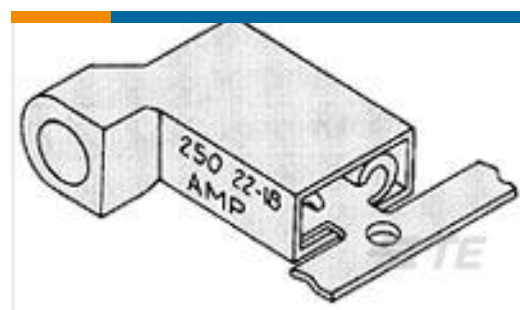


Quick Disconnects(31)

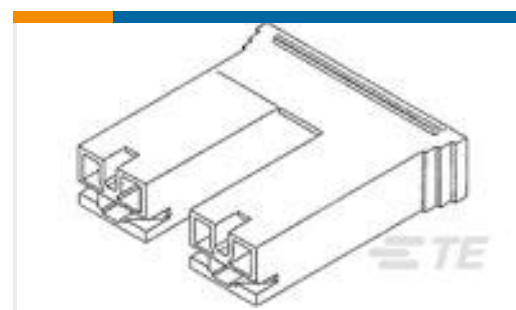
Customers Also Bought



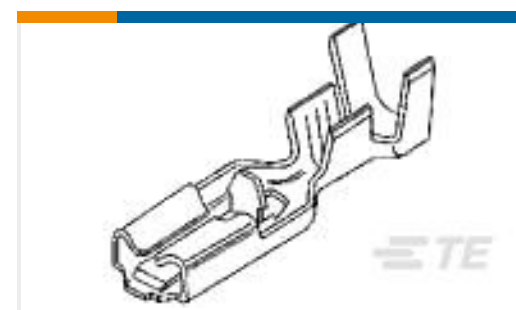
TE Part #521411-2
ULTRA-POD 250 ASY REC 22-18 AWG
TPBR



TE Part #3-520338-2
ULTRA-FAST 187 ASY REC 16-14 AWG
TPBR



TE Part #1-520935-5
PL 250 HOUSING REC BLUE 6/6
NYLON V2



TE Part #63097-1
250 PL MKII REC. 18-14AWG TPBR



TE Part #2110989-1
EP 2.5 RCPT CONTACT, 26-22 AWG



TE Part #794274-1
04P UMNL WIRE SEAL



TE Part #794785-1
04P UMNL INTERFACE SEAL



TE Part #521596-2
ULTRA-POD 187 ASSY REC 22-18
AWG TPBR



TE Part #1-520935-7
PL 250 HOUSING REC 6/6 NYLON V0

Documents

Product Drawings

[ULTRA-POD 187 ASSY REC 18-14 AWG TPBR](#)

English

CAD Files

Customer View Model

[ENG_CVM_CVM_521212-2_E.2d_dxf.zip](#)

English

3D PDF

3D

Customer View Model

[ENG_CVM_CVM_521212-2_E.3d_igs.zip](#)

English

Customer View Model

[ENG_CVM_CVM_521212-2_E.3d_stp.zip](#)

English

By downloading the CAD file I accept and agree to the [Terms and Conditions](#) of use.

Datasheets & Catalog Pages



Ultra-Fast and Ultra Fast Plus

English

Product Specifications

Application Specification

English

Application Specification

English

Product Environmental Compliance

TE Material Declaration

English

Agency Approvals

Agency Approval Document

English