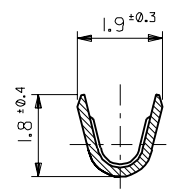
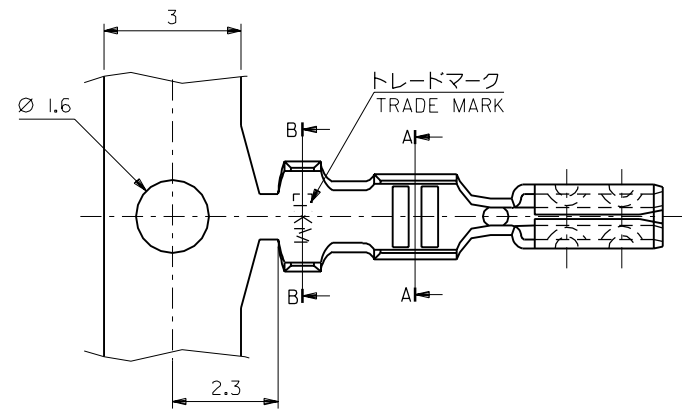
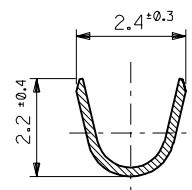


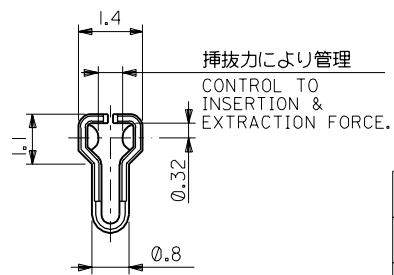
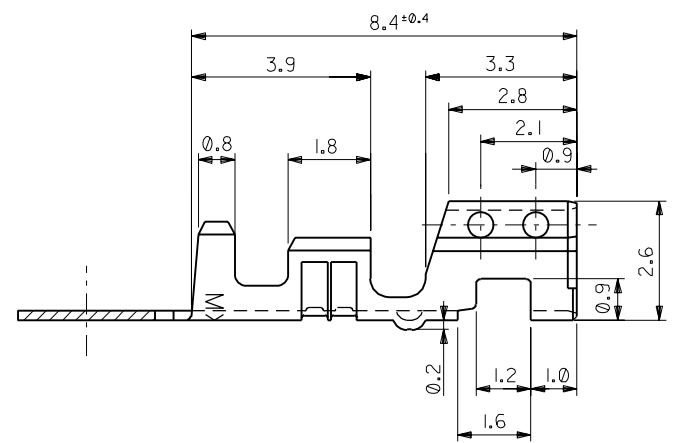
DWG. NO.
SD-50802-002



断面 A-A
SECT. A-A



断面 B-B
SECT. B-B



注記 NOTES:
1. 適合ハウジング: 51191-***00
APPLICABLE HOUSING: 51191-***00

| | | |
|-----------------------------------|--------------|--------------|
| 錫メッキ済リン青銅 PRE-TINNED PHOS-BRO. | 50802-8100 | バラ状 LOOSE |
| 錫メッキ済リン青銅 PRE-TINNED PHOS-BRO. | 50802-8000 | 連鎖状 CHAIN |
| 錫メッキ済黄銅 PRE-TINNED BRASS | 50802-9101 | バラ状 LOOSE |
| 錫メッキ済黄銅 PRE-TINNED BRASS | 50802-9001 | 連鎖状 CHAIN |
| 材料 MATERIAL | MATERIAL NO. | 端子形状 FORM |

DO NOT SCALE DRAWING

| | | | | |
|----------------------------------|----------------------------------|----------------------------------|----------------------------------|--|
| EG4NO. DRWN: CHK: APPR: | EG3NO. DRWN: CHK: APPR: | EG2NO. DRWN: CHK: APPR: | EG1NO. DRWN: CHK: APPR: | RELEASED EG0NO. JC80766 DRWN: S.MATSUZAKI '98/4/9 CHK: S.KUNISHI '98/4/10 APPR: M.FUKUSHIMA '98/4/10 |
|----------------------------------|----------------------------------|----------------------------------|----------------------------------|--|

| | |
|----------------------|---|
| MATERIAL 材料 | 表参照 (t=0.203) SEE TABLE |
| FINISH 仕上り | — |
| WIRE RANGE 適用線径範囲 | AWG #22 ~ #28 0.33 ~ 0.08mm ² |
| INS. RANGE 被覆外径 | φ1.15 ~ 1.9 |

| | |
|---|-------|
| GENERAL TOLERANCES: (UNLESS SPECIFIED) 一般公差 | |
| 10 UNDER 未満 | +0.2 |
| 10 OVER 以上 | +0.25 |
| 30 UNDER 未満 | +0.25 |
| 30 OVER 以上 | +0.3 |
| ANGLE 角度 | +3° |

| | |
|--|--|
| SCALE | DESIGN UNITS <input checked="" type="checkbox"/> mm <input type="checkbox"/> INCH |
| DRAWN BY & DATE S.MATSUZAKI '98/4/9 | |
| CHECKED BY & DATE S.KUNISHI '98/4/10 | |
| APPROVED BY & DATE M.FUKUSHIMA '98/4/10 | |
| CAD FILENAME | 50802002.S01 |

| | | | |
|---|---|------------|-----------------------|
| MODEL NO. 50802-**** | DIMENSIONS: <input checked="" type="checkbox"/> mm <input type="checkbox"/> INCH <input checked="" type="checkbox"/> mm ONLY | SHT REV | REVISE ON CAD ONLY |
| TITLE: 2.5 WIRE TO BOARD CONN. CRIMP RECEPTACLE | | | |
| MOLEX INCORPORATED | | | |
| MATERIAL NO. | DRAWING NO. | SHEET NO. | SIZE |
| 50802-**** | SD-50802-002 | 1/1 | B |

THIS DRAWING CONTAINS INFORMATION THAT IS PROPRIETARY TO MOLEX INCORPORATED AND SHOULD NOT BE USED WITHOUT WRITTEN PERMISSION.