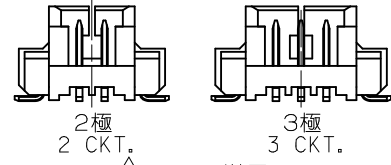
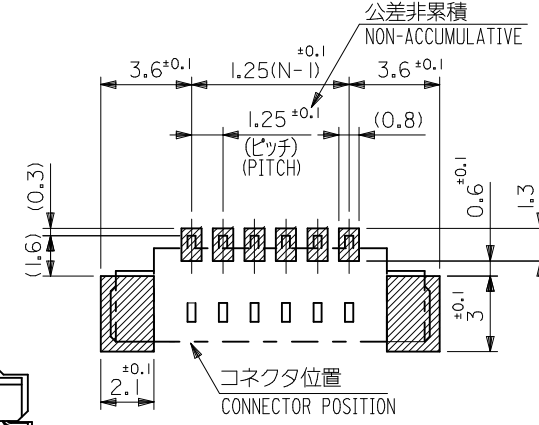
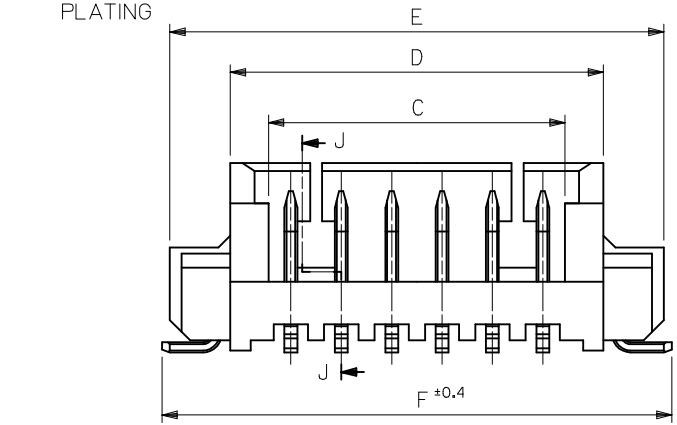
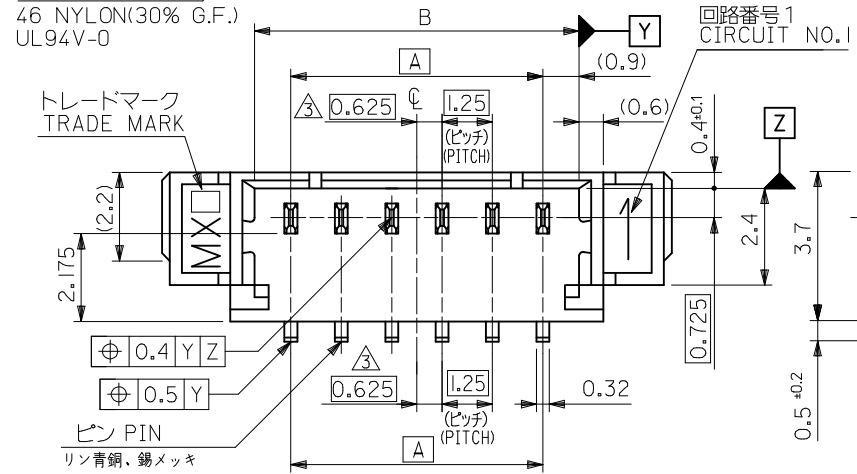
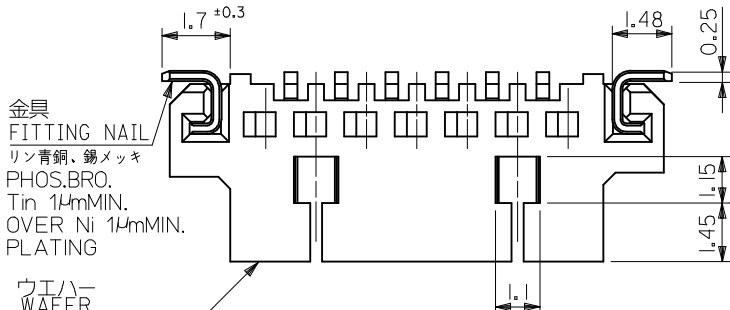


注記 NOTES

- 嵌合相手: 5I02Iシリーズ MATE WITH: 5I02I SERIES
- 水平面上においての、ウエハー底面 **W** とソルダーテール及びフィッティングネイル底面とのズレ量を示す。  
MISALIGNMENT OF SOLDER TAIL & FITTING NAIL FROM **W**
- 偶数極にのみ適用。APPLY EVEN CIRCUIT PRODUCTS.
- ロック窓は、2、3極は1ヶ所、4極以上は2ヶ所とする。  
LOCKING WINDOW: ONE PLACE FOR 2&3 CKTS. TWO PLACES FOR MORE THAN 4 CKTS.
- ソルダーテール及び金具の平坦度は0.1以下。  
SOLDER TAIL & FITTING NAIL COPLANARITY TO BE 0.1 MAX.
- ELV及びRoHS適合品  
ELV AND RoHS COMPLIANT.



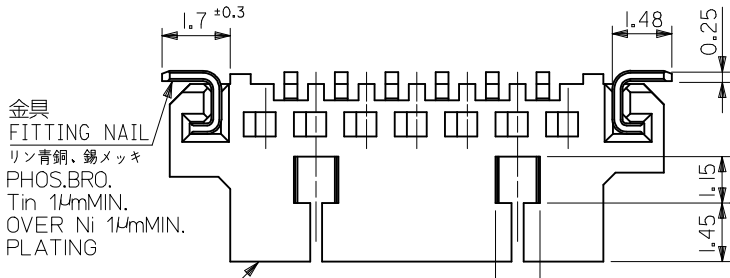
ロック形状図 LOCK CONFIGURATION

23.9	23.5	20.5	18.6	19.3	17.5	53398-154*	53398-159	15
22.65	22.25	19.25	17.35	18.05	16.25	-144*	-149	14
21.4	21	18	16.1	16.8	15	-134*	-139	13
20.15	19.75	16.75	14.85	15.55	13.75	-124*	-129	12
18.9	18.5	15.5	13.6	14.3	12.5	-114*	-119	11
17.65	17.25	14.25	12.35	13.05	11.25	-104*	-109	10
16.4	16	13	11.1	11.8	10	-094*	-099	9
15.15	14.75	11.75	9.85	10.55	8.75	-084*	-089	8
13.9	13.5	10.5	8.6	9.3	7.5	-074*	-079	7
12.65	12.25	9.25	7.35	8.05	6.25	-064*	-069	6
11.4	11	8	6.1	6.8	5	-054*	-059	5
10.15	9.75	6.75	4.85	5.55	3.75	-044*	-049	4
8.9	8.5	5.5	3.6	4.3	2.5	-034*	-039	3
7.65	7.25	4.25	2.35	3.05	1.25	53398-024*	53398-029	2
MATERIAL NO.		MATERIAL NO.		MATERIAL NO.		MATERIAL NO.		極数 NO. OF CKTS.
F	E	D	C	B	A	MODEL NO. 53398-***4	MODEL NO. 53398-***9	3: 黄 YELLOW 4: 青(紫) BLUE(PURPLE) 6: 緑 GREEN 8: 黒 BLACK 9: 赤 RED

REVISED EC NO: J2017-0403 DRWN: S0BARA01 2017/01/26 CHK: DAIDA 2017/01/31 APPR: KANEKO 2017/02/01	GENERAL TOLERANCES (UNLESS SPECIFIED)		DIMENSION STYLE MM ONLY		SCALE 8:1	DESIGN UNITS METRIC	THIRD ANGLE PROJECTION
	0.25 UNDER	UNDER	±0.03	DRAWN BY M.UMEDA	DATE 2005/02/17	TITLE PICOBLADE 125 HEADER ASSY SMT ST TYPE	
	0.25 OVER	0.5 UNDER	±0.05	CHECKED BY K. TOYODA	DATE 2005/02/17	<b>molex</b> DOCUMENT NO. SD-53398-038 SHEET NO. 1 OF 1	
	0.5 OVER	1.0 UNDER	±0.1	APPROVED BY N. UKITA	DATE 2005/02/17		
	1.0 OVER	10 UNDER	±0.2	MATERIAL NO.		SEE CHART	
10 OVER	30 UNDER	±0.25	SIZE A3		THIS DRAWING CONTAINS INFORMATION THAT IS PROPRIETARY TO MOLEX ELECTRONIC TECHNOLOGIES, LLC AND SHOULD NOT BE USED WITHOUT WRITTEN PERMISSION		
30 OVER		±0.3	DRAFT WHERE APPLICABLE MUST REMAIN WITHIN DIMENSIONS				

注記 NOTES

- 嵌合相手: 5I02Iシリーズ MATE WITH: 5I02I SERIES
- 水平面上においての、ウエハー底面 **W** とソルダーテール及びフィッティングネイル底面とのズレ量を示す。  
MISALIGNMENT OF SOLDER TAIL & FITTING NAIL FROM **W**
- 偶数極にのみ適用。APPLY EVEN CIRCUIT PRODUCTS.
- ロック窓は、2、3極は1ヶ所、4極以上は2ヶ所とする。  
LOCKING WINDOW: ONE PLACE FOR 2&3 CKTS.  
TWO PLACES FOR MORE THAN 4 CKTS.
- ソルダーテール及び金具の平坦度は0.1以下。  
SOLDER TAIL & FITTING NAIL COPLANARITY TO BE 0.1 MAX.
- ELV及びRoHS適合品  
ELV AND RoHS COMPLIANT.

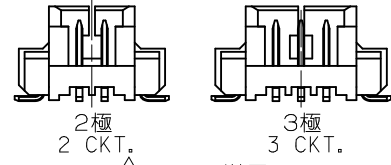
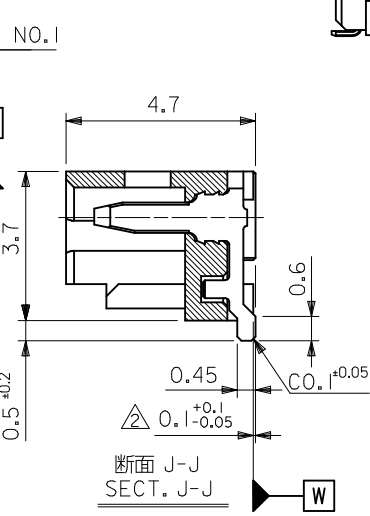
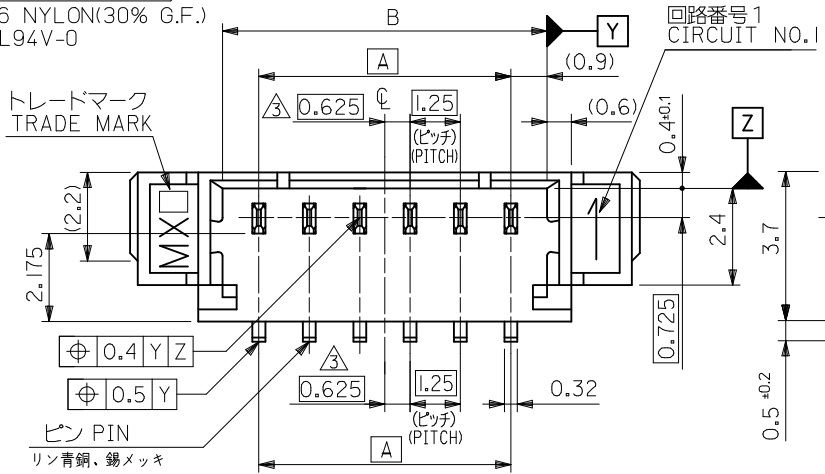


金具  
FITTING NAIL  
リン青銅、錫メッキ  
PHOS.BRO.  
Tin 14µMIN.  
OVER Ni 14µMIN.  
PLATING

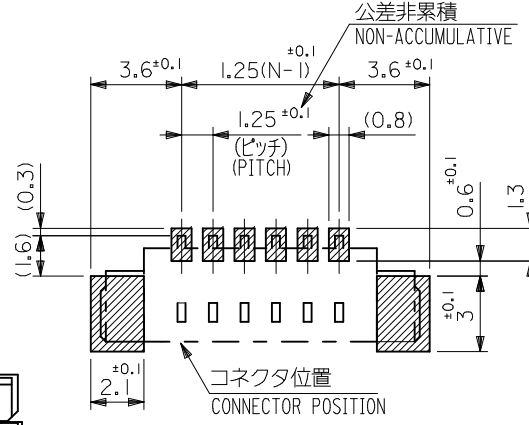
ウエハー  
WAFER  
46 NYLON(30% G.F.)  
UL94V-0

トレードマーク  
TRADE MARK

ピン PIN  
リン青銅、錫メッキ  
PHOS.BRO.  
Tin 14µMIN.  
OVER Ni 14µMIN.  
PLATING



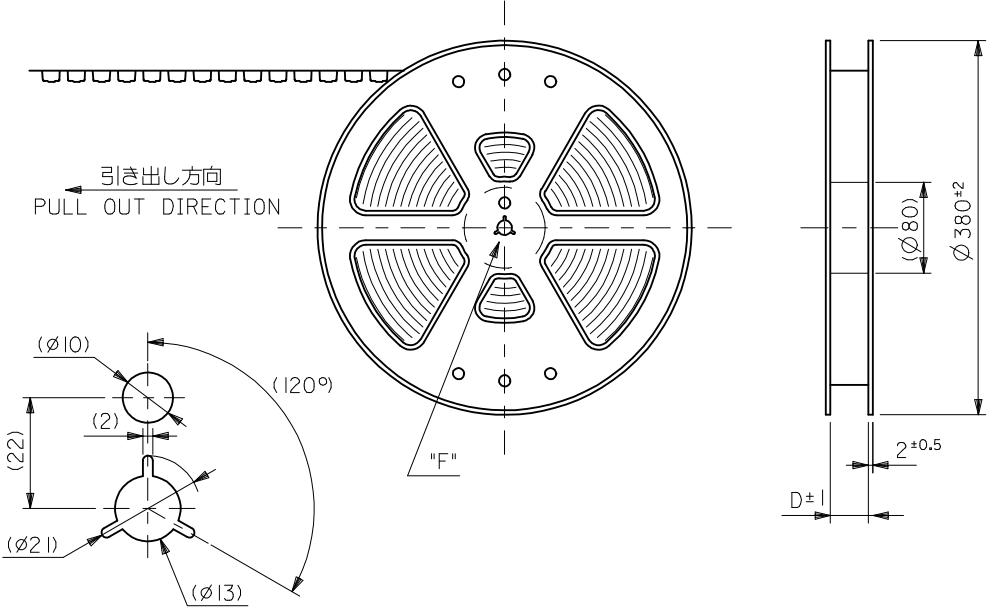
2極 2 CKT. 3極 3 CKT.  
ロック形状図  
LOCK CONFIGURATION



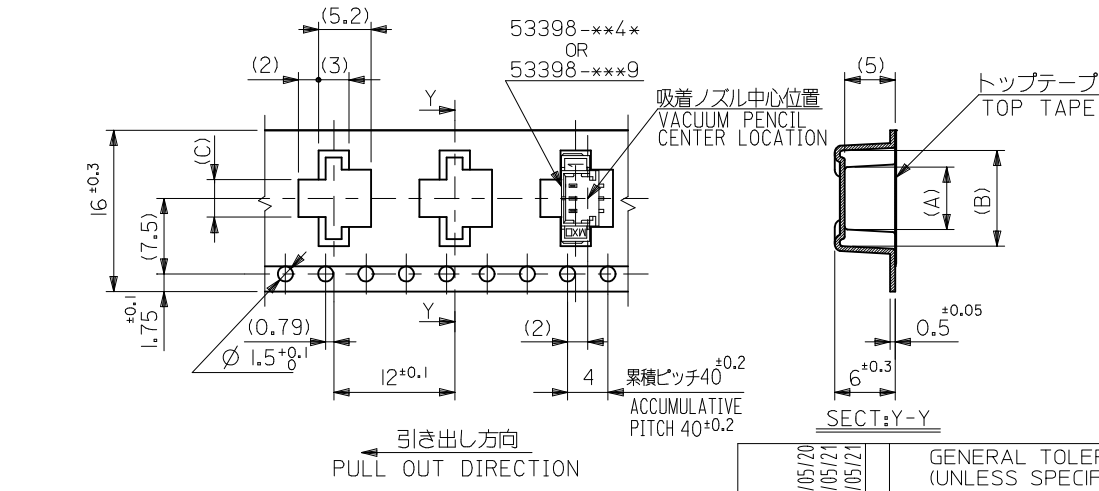
参考基板レイアウト  
RECOMMENDED P.C.BOARD PATTERN DIM.(REF.)

23.9	23.5	20.5	18.6	19.3	17.5	53398-154*	53398-*159	15
22.65	22.25	19.25	17.35	18.05	16.25	-144*	-*149	14
21.4	21	18	16.1	16.8	15	-134*	-*139	13
20.15	19.75	16.75	14.85	15.55	13.75	-124*	-*129	12
18.9	18.5	15.5	13.6	14.3	12.5	-114*	-*119	11
17.65	17.25	14.25	12.35	13.05	11.25	-104*	-*109	10
16.4	16	13	11.1	11.8	10	-094*	-*099	9
15.15	14.75	11.75	9.85	10.55	8.75	-084*	-*089	8
13.9	13.5	10.5	8.6	9.3	7.5	-074*	-*079	7
12.65	12.25	9.25	7.35	8.05	6.25	-064*	-*069	6
11.4	11	8	6.1	6.8	5	-054*	-*059	5
10.15	9.75	6.75	4.85	5.55	3.75	-044*	-*049	4
8.9	8.5	5.5	3.6	4.3	2.5	-034*	-*039	3
7.65	7.25	4.25	2.35	3.05	1.25	53398-024*	53398-*029	2
F	E	D	C	B	A	MATERIAL NO.	MATERIAL NO.	極数 NO. OF CKTS.
						MODEL NO. 53398-***4	MODEL NO. 53398-***9	
						3: 黄 YELLOW	8: 黒 BLACK	
						4: 青(紫) BLUE(PURPLE)	9: 赤 RED	
						6: 緑 GREEN		

REVISED EC NO: J2017-0403 DRWNS:0BARA01 2017/01/26 CHK:DAIDA 2017/01/31 APPR:KANAKO 2017/02/01	GENERAL TOLERANCES (UNLESS SPECIFIED)		DIMENSION STYLE MM ONLY		SCALE 8:1	DESIGN UNITS METRIC	THIRD ANGLE PROJECTION
	0.25 UNDER	UNDER	±0.03	DRAWN BY M.UMEDA	DATE 2005/02/17	TITLE PICOBLADE 125 HEADER ASSY SMT ST TYPE	
	0.25 OVER	0.5 UNDER	±0.05	CHECKED BY K.TOYODA	DATE 2005/02/17	<b>molex</b> DOCUMENT NO. SD-53398-038 SHEET NO. 1 OF 1	
	0.5 OVER	1.0 UNDER	±0.1	APPROVED BY N.UKITA	DATE 2005/02/17		
	1.0 OVER	10 UNDER	±0.2	MATERIAL NO.		SEE CHART	
10 OVER	30 UNDER	±0.25	SIZE A3		THIS DRAWING CONTAINS INFORMATION THAT IS PROPRIETARY TO MOLEX ELECTRONIC TECHNOLOGIES, LLC AND SHOULD NOT BE USED WITHOUT WRITTEN PERMISSION		
30 OVER		±0.3	DRAFT WHERE APPLICABLE MUST REMAIN WITHIN DIMENSIONS				



DETAIL "F"



SECT: Y-Y

16幅テープ  
(TAPE WIDTH:16)

NOTES

- 梱包数量: 1000個/リール  
NUMBER OF CONNECTOR: 1000PCS/REEL
- リードテープ長さ  
LEAD TAPE LENGTH
- トップテープの剥離強度: 0.6±0.35N(60±35gf) (剥離方向は下図参照)  
PEELING OFF FORCE OF TOP TAPE: 0.6±0.35N(60±35gf)  
(PEELING DIRECTION IS SHOWN IN FOLLOWING FIG.)  
 <剥離速度: 300mm/min (参考)>  
PEELING SPEED: 300mm/min (REFERENCE)
- 製品詳細寸法は製品単体図面を参照して下さい。  
For detail of connector dimensions, please see the drawing of connector itself (not packaged).
- 材料 (MATERIAL)  
キャリアテープ (CARRIER TAPE): ポリプロピレン (POLYPROPYLENE)  
トップテープ (TOP TAPE): PET, PE, PEF  
リール (REEL): ポリスチレン (P.S) <リサイクル材含む>  
POLYSTYRENE (P.S) <RECYCLE MATERIAL CONTAINED>
- 本製品は乾燥剤入り、ハイバリア梱包仕様である。  
THIS PRODUCT IS HIGH BARRIER PACKAGE WITH DESICCANT.

16	17.4	3.7 2.45	9.5 8.25	5.8 4.55	53398-035*	53398-037*	3
					53398-025*	53398-027*	2
キャリアテープ幅 CARRIER TAPE WIDTH	D	(C)	(B)	(A)	MATERIAL NO.	MATERIAL NO.	極致 CKT.
					MODEL NO. 53398-xx5*	MODEL NO. 53398-xx7*	
					COLOR 3: 黄 YELLOW 4: 青(紫) BLUE(PURPLE) 6: 緑 GREEN	COLOR 6: 黒 BLACK 7: 赤 RED	

REVISED EC NO.: J2009-2060 DRWN:TKON CHKD:HMATSUMOTO APPR:NUKITA	DESCRIPTION 2009/05/20 2009/05/21 2009/05/21	GENERAL TOLERANCES (UNLESS SPECIFIED)		DIMENSION STYLE MM ONLY		SCALE ---	DESIGN UNITS METRIC	THIRD ANGLE PROJECTION	
		10 UNDER	±0.2	DRAWN BY M.UMEDA	DATE 2005/02/18	TITLE 1.25 W/B CONN. WAFER ASSY EMBSTP PKG. -LEAD FREE-			
		10 OVER 30 UNDER	±0.25	CHECKED BY K.TOYODA	DATE 2005/02/18	MOLEX INCORPORATED			
		30 OVER	±0.3	APPROVED BY N.UKITA	DATE 2005/02/18	SD-53398-039			
		ANGULAR	±3 °	MATERIAL NO.	DOCUMENT NO.	SHEET NO.			
		DRAFT WHERE APPLICABLE MUST REMAIN WITHIN DIMENSIONS		SEE TABLE		1 OF 3			
		SIZE	A3	THIS DRAWING CONTAINS INFORMATION THAT IS PROPRIETARY TO MOLEX INCORPORATED AND SHOULD NOT BE USED WITHOUT WRITTEN PERMISSION					

F

E

D

C

B

A

F

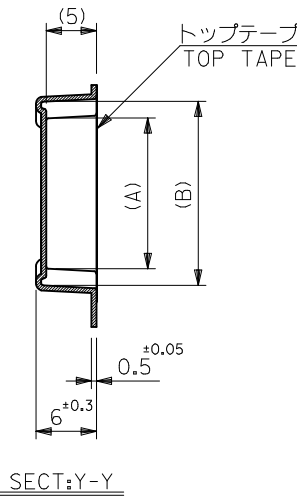
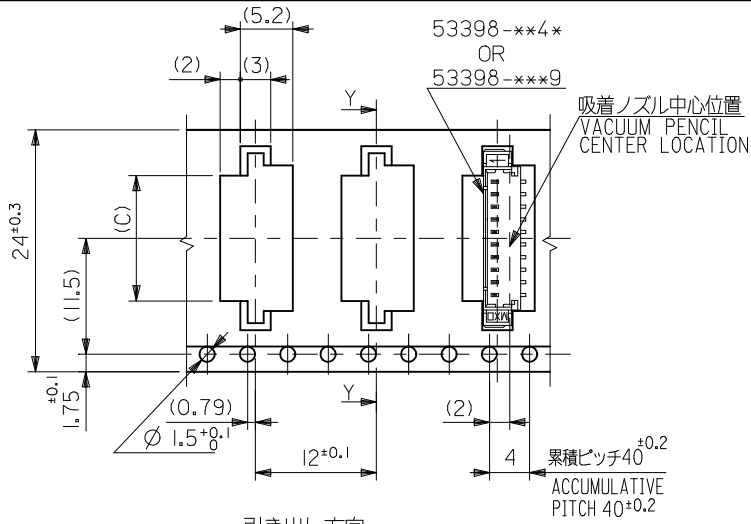
E

D

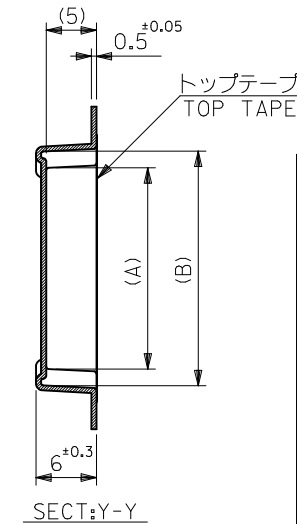
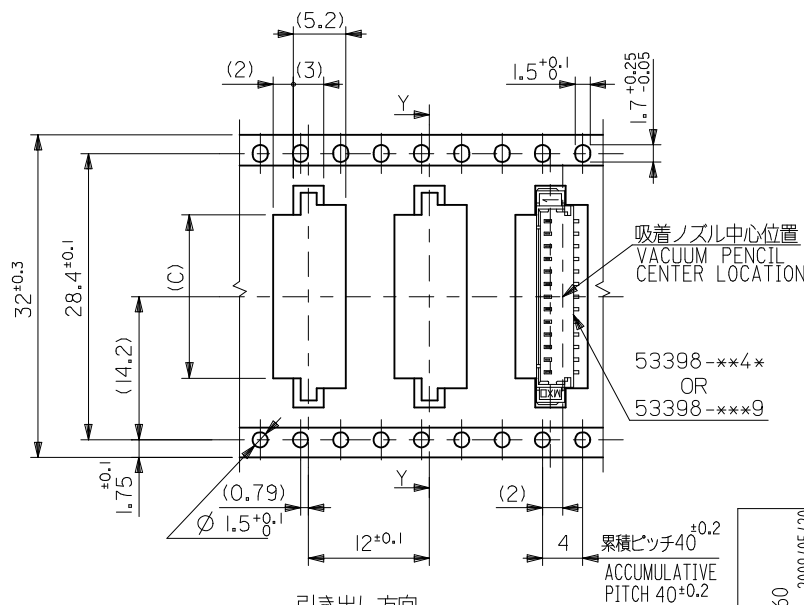
C

B

A



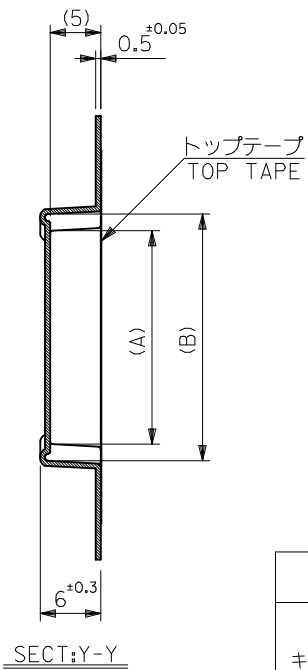
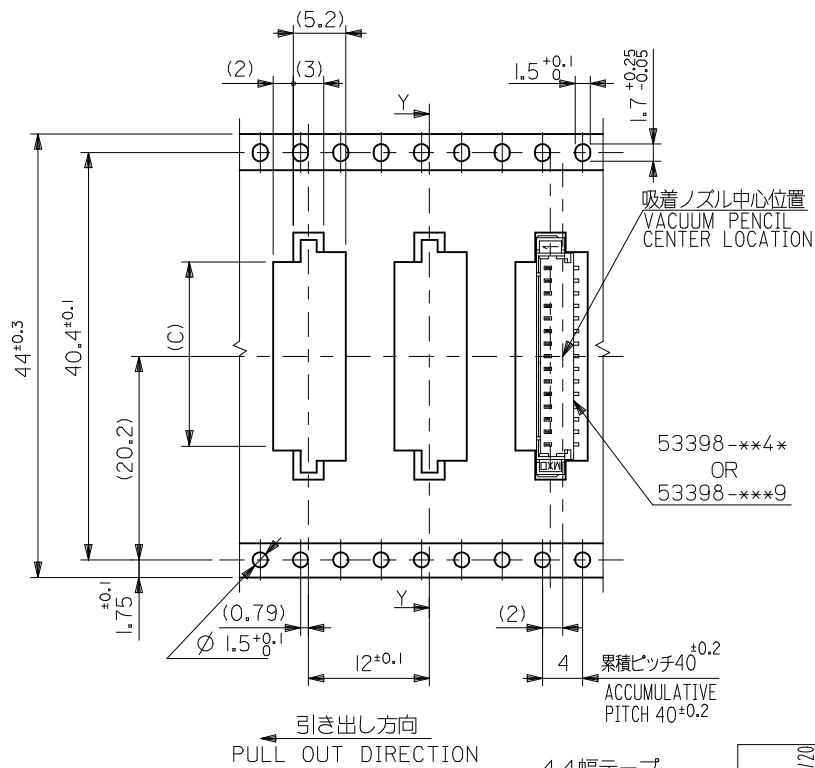
引き出し方向  
PULL OUT DIRECTION  
24幅テープ  
(TAPE WIDTH:24)



引き出し方向  
PULL OUT DIRECTION  
32幅テープ  
(TAPE WIDTH:32)

32	33.4	16.2	22	18.3	53398-135*	53398-137*	13
		14.95	20.75	17.05	-125*	-127*	12
24	25.4	13.7	19.5	15.8	-115*	-117*	11
		12.45	18.25	14.55	-105*	-107*	10
		11.2	17	13.3	-095*	-097*	9
		9.95	15.75	12.05	-085*	-087*	8
		8.7	14.5	10.8	-075*	-077*	7
		7.45	13.25	9.55	-065*	-067*	6
		6.2	12	8.3	-055*	-057*	5
		4.95	10.75	7.05	-045*	-047*	4
キャリアテープ幅 CARRIER TAPE WIDTH	D	(C)	(B)	(A)	MATERIAL NO. 53398-045*	MATERIAL NO. 53398-047*	種数 CKT.
COLOR	3: 黄 YELLOW 4: 青(紫) BLUE(PURPLE) 6: 緑 GREEN		6: 黒 BLACK 7: 赤 RED				

REVISED EC NO: J2009-2060 DRWN:TKON 2009/05/20 CHKD:HATSUMOTO 2009/05/21 APPR:NUKITA 2009/05/21	GENERAL TOLERANCES (UNLESS SPECIFIED)		DIMENSION STYLE MM ONLY		SCALE ---	DESIGN UNITS METRIC	THIRD ANGLE PROJECTION
	10 UNDER	±0.2	DRAWN BY M.UMEDA	DATE 2005/02/18	TITLE 1.25 W/B CONN. WAFER ASSY EMBSTP PKG. -LEAD FREE-		
	10 OVER 30 UNDER	±0.25	CHECKED BY K.TOYODA	DATE 2005/02/18	MOLEX INCORPORATED		
	30 OVER	±0.3	APPROVED BY N.UKITA	DATE 2005/02/18	DOCUMENT NO. SD-53398-039	SHEET NO. 2 OF 3	
REV	DESCRIPTION	ANGULAR ±3 °	MATERIAL NO. SEE TABLE		THIS DRAWING CONTAINS INFORMATION THAT IS PROPRIETARY TO MOLEX INCORPORATED AND SHOULD NOT BE USED WITHOUT WRITTEN PERMISSION		
DRAFT WHERE APPLICABLE MUST REMAIN WITHIN DIMENSIONS							



44	45.4	18.7	24.5	20.8	53398-155*	53398-157*	15
		17.45	23.25	19.55	53398-145*	53398-147*	14
キャリアテープ幅 CARRIER TAPE WIDTH	D	(C)	(B)	(A)	MATERIAL NO.	MATERIAL NO.	種数 CKT.
					MODEL NO. 53398-**5*	MODEL NO. 53398-**7*	
					COLOR 3: 黄 YELLOW 4: 青(紫) BLUE(PURPLE) 6: 緑 GREEN	COLOR 6: 黒 BLACK 7: 赤 RED	

引き出し方向  
PULL OUT DIRECTION

44幅テープ  
(TAPE WIDTH:44)

REVISED EC NO.: J2009-2060 DRWN:TKON 2009/05/20 CHKD:HMATSUMOTO 2009/05/21 APPR:NUKITA 2009/05/21 REV B	DESCRIPTION	GENERAL TOLERANCES (UNLESS SPECIFIED)	DIMENSION STYLE	SCALE	DESIGN UNITS	THIRD ANGLE PROJECTION
		10 UNDER ±0.2	MM ONLY	---	METRIC	☉ □
		10 OVER 30 UNDER ±0.25		DRAWN BY DATE	TITLE	
		30 OVER ±0.3		M.UMEDA 2005/02/18	1.25 W/B CONN. WAFER ASSY EMBSTP PKG. -LEAD FREE-	
		ANGULAR ±3 °		CHECKED BY DATE		
	DRAFT WHERE APPLICABLE MUST REMAIN WITHIN DIMENSIONS		K.TOYODA 2005/02/18			
			APPROVED BY DATE			
			N.NUKITA 2005/02/18			
			MATERIAL NO.	SEE TABLE	MOLEX INCORPORATED	
			SIZE		DOCUMENT NO.	SHEET NO.
			A3	THIS DRAWING CONTAINS INFORMATION THAT IS PROPRIETARY TO MOLEX INCORPORATED AND SHOULD NOT BE USED WITHOUT WRITTEN PERMISSION	SD-53398-039	3 OF 3