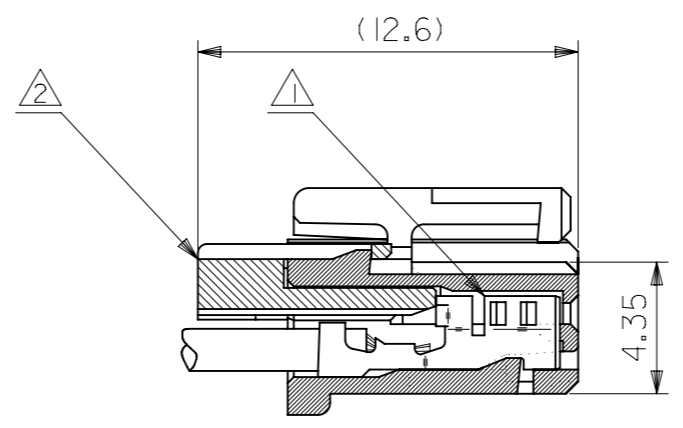
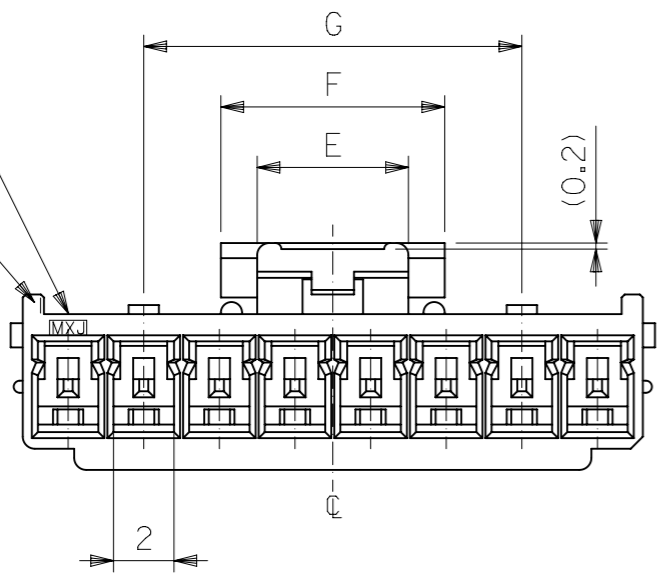


トレードマーク
TRADE MARK

回路番号 1
CIRCUIT NO.1

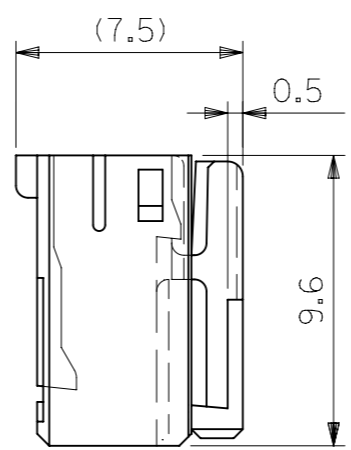
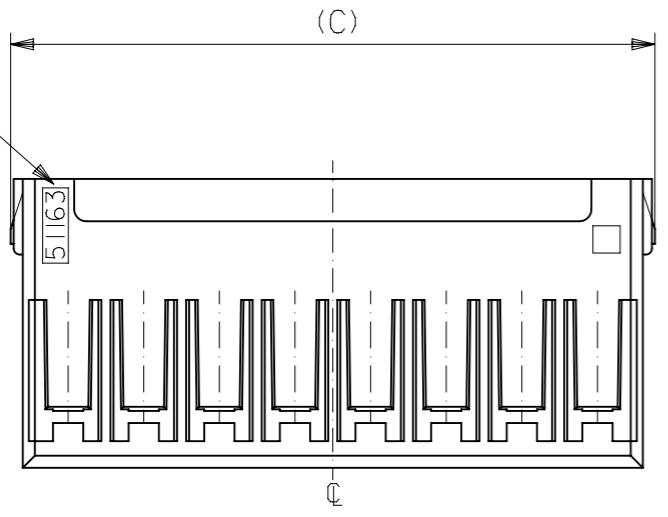


ターミナル及びリテーナー装着状態図
TERMINAL AND RETAINER ASSEMBLY DRAWING

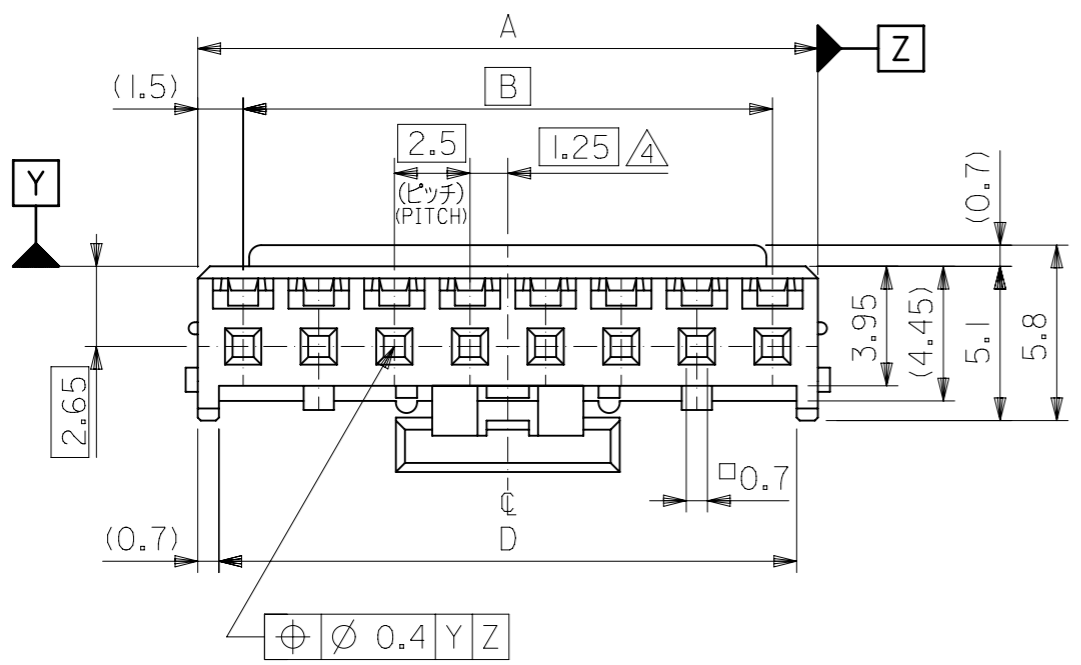
注記 NOTES

- △1 適合ターミナル : 50752-8*00
APPLICABLE TERMINAL : 50752-8*00
- △2 適合リテーナー : 51164-**05
APPLICABLE RETAINER : 51164-**05
- 3. 嵌合相手 : 53375,53376,53388,53389,53426 シリーズ
MATE WITH : 53375,53376,53388,53389,53426 SERIES
- △4 偶数極の製品に適用。
APPLY EVEN CIRCUIT PRODUCTS.

製品番号
ENG. NO.



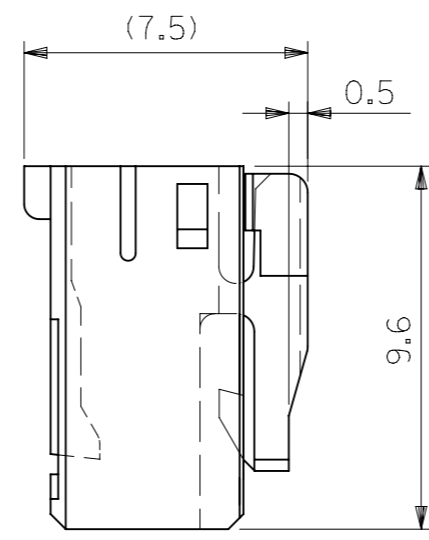
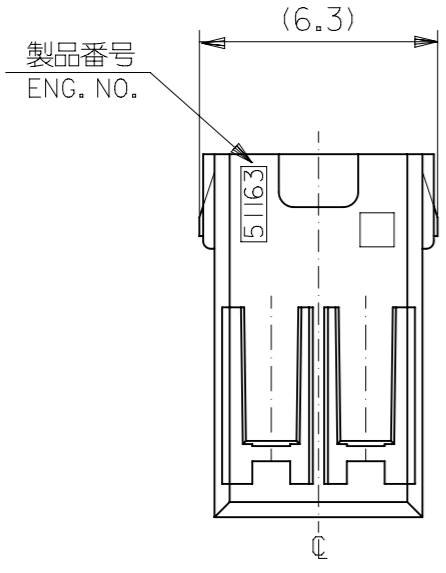
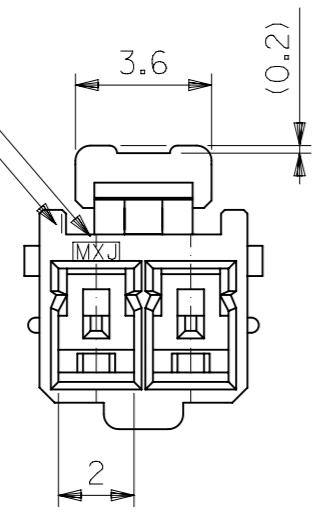
3-15 極に適用
FOR 3-15 CKTS.



							白 NATURAL	COLOR
12.5	7.4	5	36.6	38.8	35	38	51163 - 1500	15
12.5	↑	↑	34.1	36.3	32.5	35.5	↑ - 1400	14
12.5			31.6	33.8	30	33	↑ - 1300	13
12.5			29.1	31.3	27.5	30.5	↑ - 1200	12
12.5			26.6	28.8	25	28	↑ - 1100	11
12.5			24.1	26.3	22.5	25.5	↑ - 1000	10
12.5			21.6	23.8	20	23	↑ - 0900	9
12.5			19.1	21.3	17.5	20.5	↑ - 0800	8
			16.6	18.8	15	18	↑ - 0700	7
			14.1	16.3	12.5	15.5	↑ - 0600	6
			11.6	13.8	10	13	↑ - 0500	5
	7.4	5	9.1	11.3	7.5	10.5	↑ - 0400	4
	5	3	6.6	8.8	5	8	51163 - 0300	3
G	F	E	D	(C)	B	A	MATERIAL NO.	NO. OF CKT

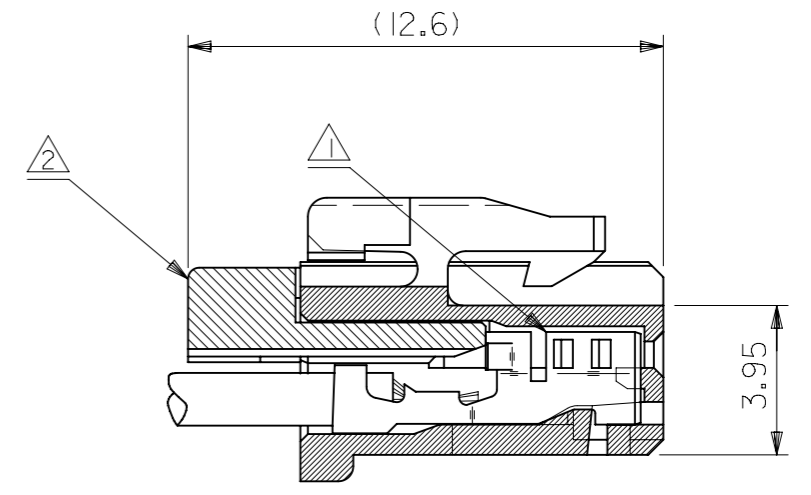
GENERAL TOLERANCES (UNLESS SPECIFIED) 10 UNDER ±0.2 10 OVER 30 UNDER ±0.25 30 OVER ±0.3		THIS DRAWING CONTAINS INFORMATION THAT IS PROPRIETARY TO MOLEX ELECTRONIC TECHNOLOGIES, LLC AND SHOULD NOT BE USED WITHOUT WRITTEN PERMISSION. DIMENSION UNITS: mm SCALE: 4:1 CURRENT REV DESC: OBSOLETE PART NO		 2.5 WIRE TO BORAD CONN. HOUSING (POSITIVE LOCK) WITH RETAINER	
ANGULAR ±3° DRAFT WHERE APPLICABLE MUST REMAIN WITHIN DIMENSIONS		EC NO: 629832 DRWN: VLOKESHA 2019/12/17 CHK'D: GGA 2020/01/22 APPR: GGA 2020/01/22			
MATERIAL PBTP, UL94V-0 SEE CHART		INITIAL REVISION: DRWN: J.SASAMO 2004/08/31 APPR: N.UKITA 2004/08/31		PRODUCT CUSTOMER DRAWING DOCUMENT NUMBER: SD-51163-001 DOC TYPE: PSD DOC PART: 001 REVISION: A1	
DOCUMENT STATUS: P1 RELEASE DATE: 2020/01/22 02:36:55		THIRD ANGLE PROJECTION DRAWING: A3-SIZE SERIES: 51163		MATERIAL NUMBER: SEE TABLE CUSTOMER: GENERAL MARKET SHEET NUMBER: 1 OF 2	

トレードマーク
TRADE MARK
回路番号 1
CIRCUIT NO.1

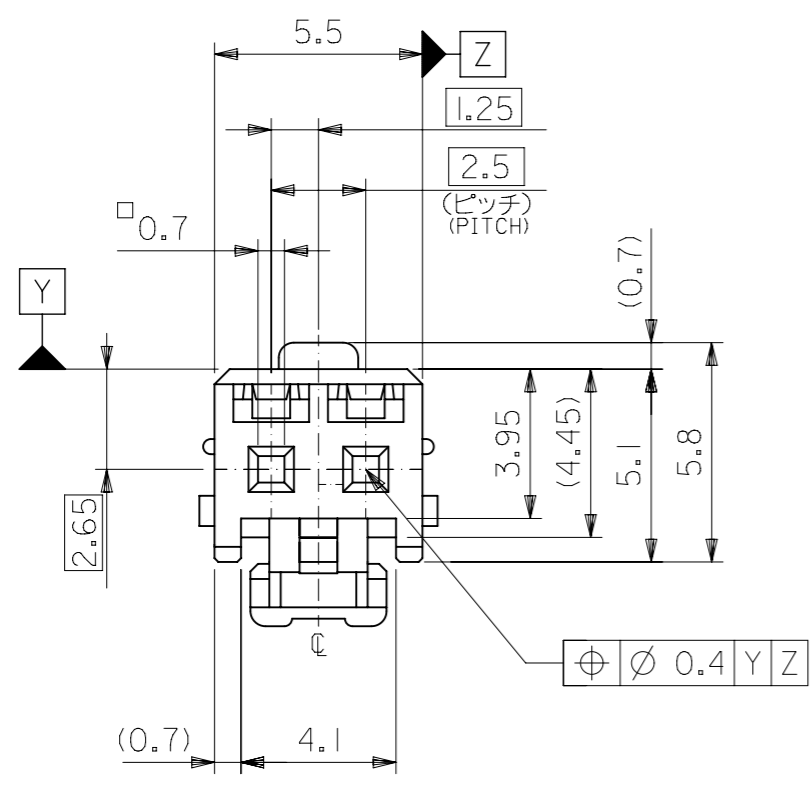


注記 NOTES

- ① 適合ターミナル : 50752-8*00
APPLICABLE TERMINAL : 50752-8*00
- ② 適合リテーナー : 51164-***05
APPLICABLE RETAINER : 51164-***05
- 3. 嵌合相手 : 53375,53426 シリーズ
MATE WITH : 53375,53426 SERIES



ターミナル及びリテーナー装着状態図
TERMINAL AND RETAINER ASSEMBLY DRAWING



2極に適用
FOR 2 CKTS.

白 NATURAL	51163-0200	2
COLOR MATERIAL NO.	MATERIAL NO.	NO. OF CKT.

GENERAL TOLERANCES (UNLESS SPECIFIED)		THIS DRAWING CONTAINS INFORMATION THAT IS PROPRIETARY TO MOLEX ELECTRONIC TECHNOLOGIES, LLC AND SHOULD NOT BE USED WITHOUT WRITTEN PERMISSION		CURRENT REV DESC: OBSOLETE PART NO	
10 UNDER	±0.2	mm	SCALE 5:1	molex 2.5 WIRE TO BORAD CONN. HOUSING (POSITIVE LOCK) WITH RETAINER PRODUCT CUSTOMER DRAWING EC NO: 629832 DRWN: VLOKESHA 2019/12/17 CHK'D: GGA 2020/01/22 APPR: GGA 2020/01/22 INITIAL REVISION: DRWN: J.SASAMO 2004/08/31 APPR: N.UKITA 2004/08/31	
10 OVER 30 UNDER	±0.25	GENERAL TOLERANCES (UNLESS SPECIFIED)			
30 OVER	±0.3	mm	INCH		
ANGULAR ±3°		4 PLACES ± 0.2	3 PLACES ± 0.25		
DRAFT WHERE APPLICABLE MUST REMAIN WITHIN DIMENSIONS		2 PLACES ± 0.3	1 PLACE ±		
MATERIAL PBTP, UL94V-0 SEE CHART		0 PLACES ±	ANGULAR TOL ± 3.0°	DOCUMENT NUMBER SD-51163-001 DOC TYPE PSD DOC PART 001 REVISION A1 MATERIAL NUMBER SEE TABLE CUSTOMER GENERAL MARKET SHEET NUMBER 2 OF 2	