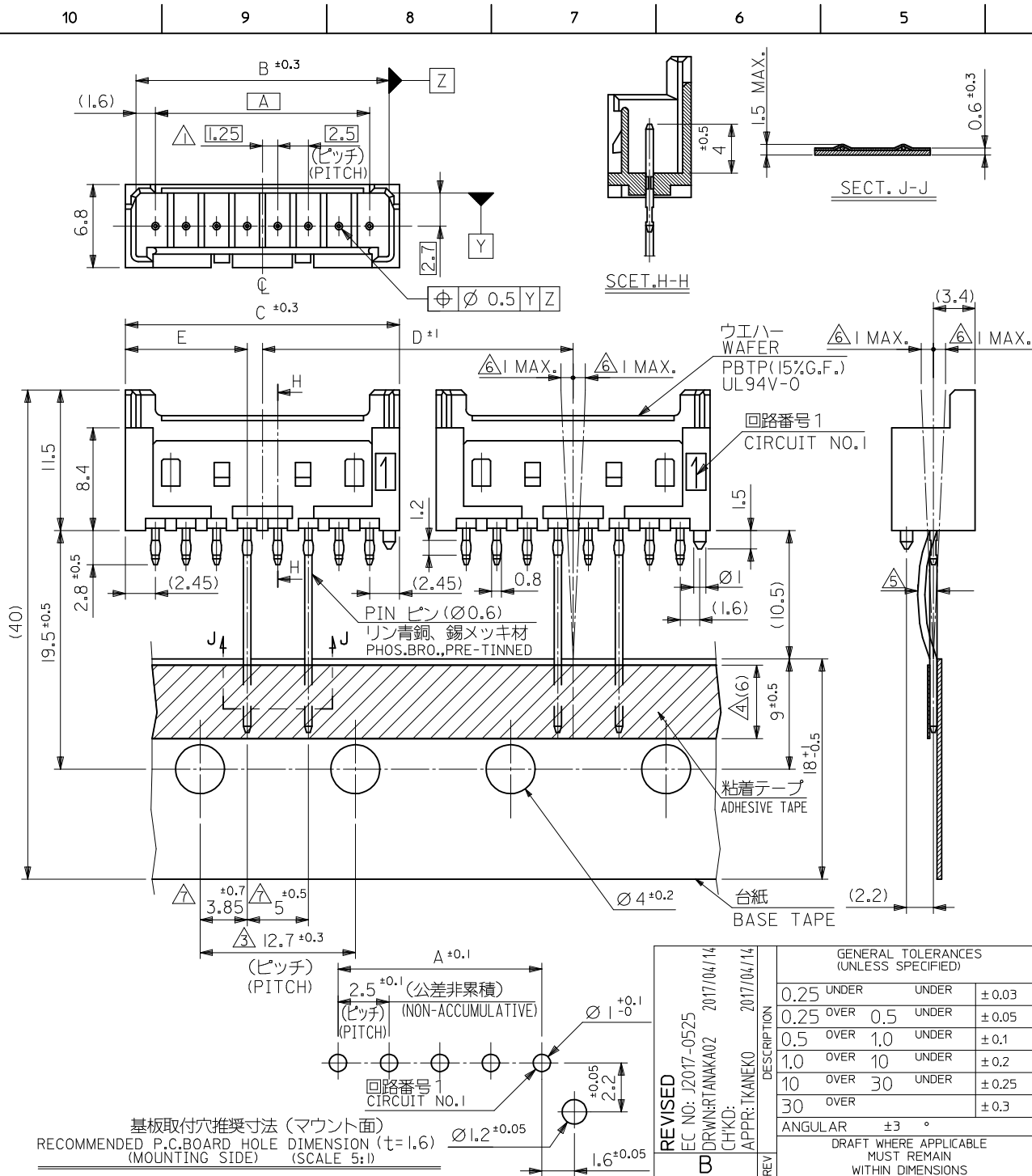


注記 NOTES

- △ 偶数極品に適用。
APPLIES ONLY TO EVEN NO. CKT. SIZES.
- 2. 嵌合相手：51103 シリーズ
MATES WITH:51103 SERIES.
- △ 累積ピッチの許容差は、20ピッチで ±1.0mm とする。
ACCUMULATED TOLERANCE IS TO BE ±1.0mm PER 20 PITCH.
- △ 粘着テープは台紙からはみ出さない事。
THE ADHESIVE TAPE SHOULD NOT BE PROTRUDED FROM THE BASE TAPE.
- △ リード線の曲がりの許容差は 1mm MAX. とする。
CAMBER OF THE LEADS : 1mm MAX.
- △ 測定位置は、コネクタの先端とする。
INCLINED POSITION FROM THE CENTER-LINE, SHOULD BE 1mm MAX.
MEASURING SHOULD BE DONE, USING THE TOP OF BASE TAPE AS DATUM.
- △ 測定値は台紙の上端とし、リード線との間隔とする。
DIM. 3.85 AND DIM. 5 SHOULD BE MEASURED ON THE TOP OF BASE TAPE. DIMENSIONS ARE A SPACING BETWEEN THE CENTER-LINES.
- 8. 製品番号の下1桁は色を表します。
LAST DIGIT OF PART NUMBER INDICATES COLOR.
0 : 白 WHITE 1 : 黒 BLACK 2 : 赤 RED
3 : 黄 YELLOW 4 : 青 BLUE 6 : 緑 GREEN

400	9.95	25.4	22.4	20.7	17.5	53375-089*	8
	7.45	↑	19.9	18.2	15	↑	-079*
500	7.45	↓	17.4	15.7	12.5	↑	-069*
	4.95	↓	14.9	13.2	10	↑	-059*
900	4.95	25.4	12.4	10.7	7.5	↑	-049*
	2.45	12.7	9.9	8.2	5	↓	-039*
包装数量/箱 QTY/CARTON	2.45	12.7	7.4	5.7	2.5	53375-029*	2
	MATERIAL NO. 極数 MODEL NO. 53375-**-9**						NO. OF

REVISED EC NO: J2017-0525 DRAWN: TANAKAO CHKD: APPR: KANEKO	GENERAL TOLERANCES (UNLESS SPECIFIED)		DIMENSION STYLE MM ONLY		SCALE 3:1		DESIGN UNITS METRIC		THIRD ANGLE PROJECTION	
	0.25 UNDER	UNDER	±0.03	DRAWN BY	DATE	TITLE				
	0.25 OVER	0.5 UNDER	±0.05	M.UMEDA	2005/01/21	2.5 WIRE TO BOARD CONN. WAFER ASSY RADIAL TAPING -LEAD FREE-				
	0.5 OVER	1.0 UNDER	±0.1	CHECKED BY	DATE	molex				
1.0 OVER	10 UNDER	±0.2	K.TOYODA	2005/01/21	APPROVED BY		DATE		DOCUMENT NO.	
10 OVER	30 UNDER	±0.25	N.UKITA	2005/01/21	MATERIAL NO.		DATE		SHEET NO.	
30 OVER		±0.3			SEE TABLE		SD-53375-004		1 OF 3	
ANGULAR ±3 °			SIZE A3		THIS DRAWING CONTAINS INFORMATION THAT IS PROPRIETARY TO MOLEX ELECTRONIC TECHNOLOGIES, LLC AND SHOULD NOT BE USED WITHOUT WRITTEN PERMISSION					
DRAFT WHERE APPLICABLE MUST REMAIN WITHIN DIMENSIONS										

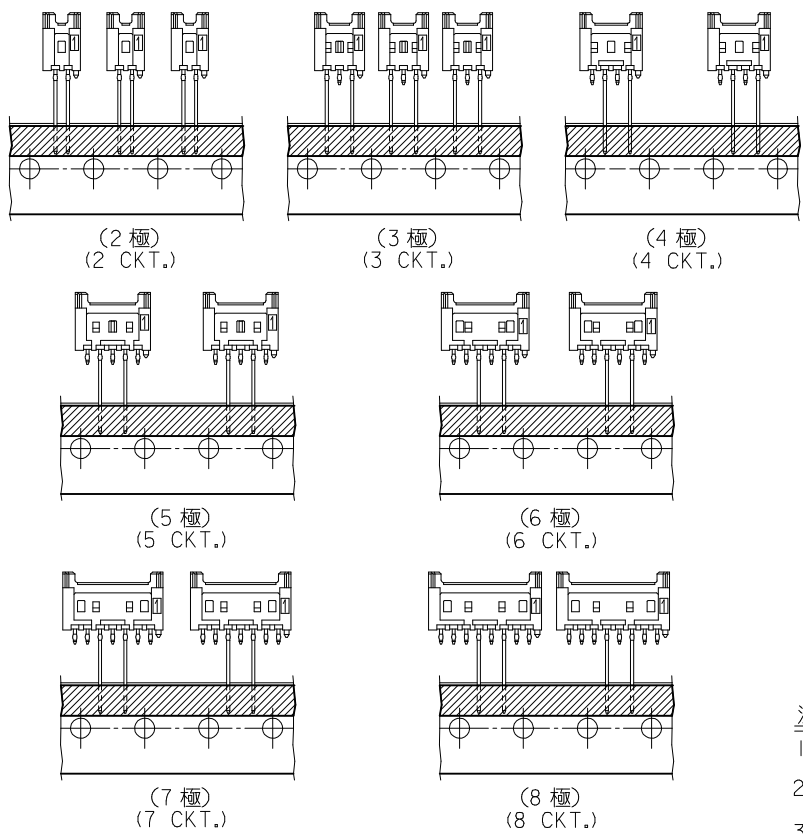


注記 NOTES

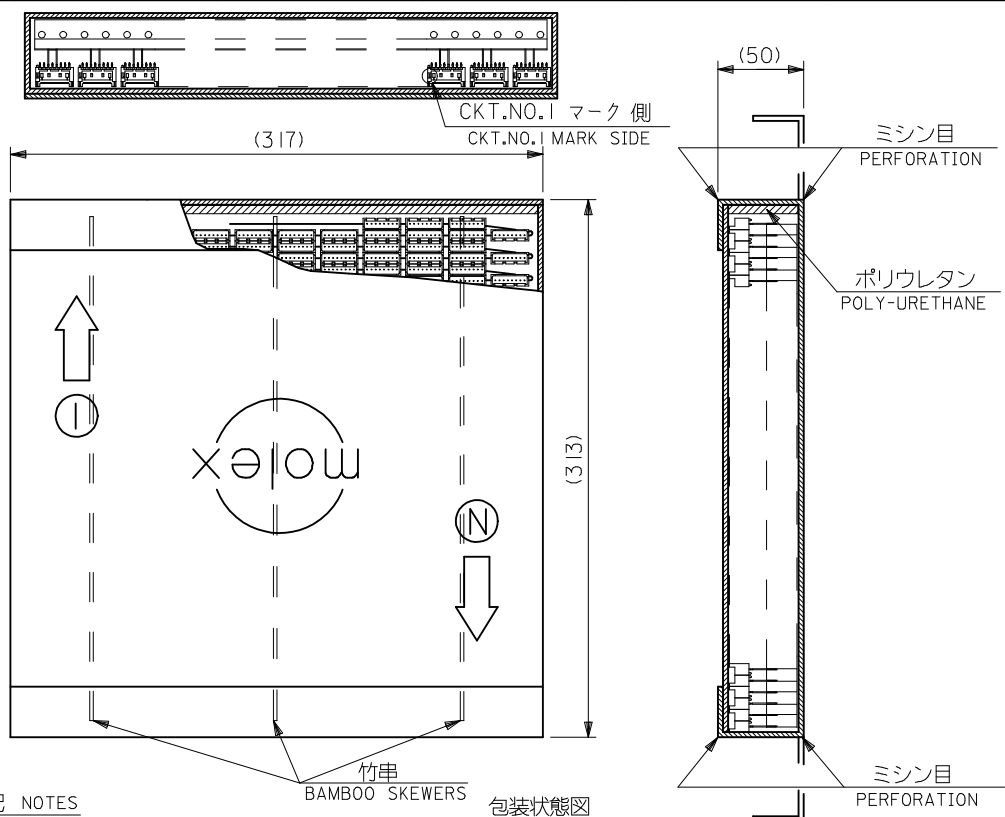
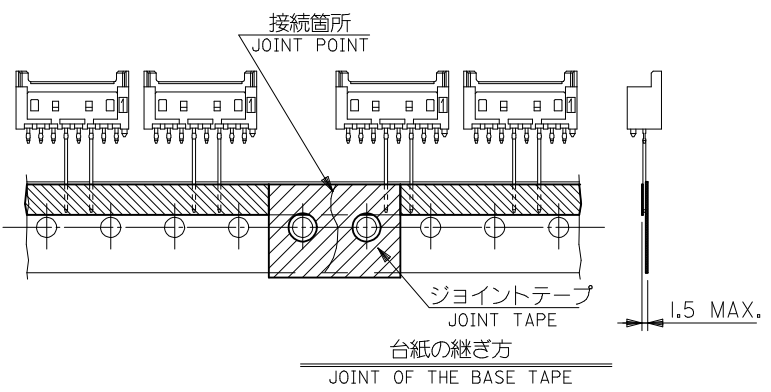
- △ 偶数極品に適用。
APPLIES ONLY TO EVEN NO. CKT. SIZES.
- 2. 嵌合相手：51103 シリーズ
MATES WITH:51103 SERIES.
- △ 累積ピッチの許容差は、20ピッチで ±1.0mm とする。
ACCUMULATED TOLERANCE IS TO BE ±1.0mm PER 20 PITCH.
- △ 粘着テープは台紙からはみ出さない事。
THE ADHESIVE TAPE SHOULD NOT BE PROTRUDED FROM THE BASE TAPE.
- △ リード線の曲がりの許容差は 1mm MAX. とする。
CAMBER OF THE LEADS : 1mm MAX.
- △ 測定位置は、コネクタの先端とする。
INCLINED POSITION FROM THE CENTER-LINE, SHOULD BE 1mm MAX.
MEASURING SHOULD BE DONE, USING THE TOP OF BASE TAPE AS DATUM.
- △ 測定値は台紙の上端とし、リード線との間隔とする。
DIM. 3.85 AND DIM. 5 SHOULD BE MEASURED ON THE TOP OF BASE TAPE. DIMENSIONS ARE A SPACING BETWEEN THE CENTER-LINES.
- 8. 製品番号の下1桁は色を表します。
LAST DIGIT OF PART NUMBER INDICATES COLOR.
0 : 白 WHITE 1 : 黒 BLACK 2 : 赤 RED
3 : 黄 YELLOW 4 : 青 BLUE 6 : 緑 GREEN

400	9.95	25.4	22.4	20.7	17.5	53375-089*	8
	7.45	↑	19.9	18.2	15	↑	-079* 7
500	7.45	↓	17.4	15.7	12.5	↑	-069* 6
	4.95	↓	14.9	13.2	10	↑	-059* 5
900	4.95	↓	25.4	12.4	10.7	7.5	-049* 4
	2.45	↓	12.7	9.9	8.2	5	↓
包装数量/箱 QTY/CARTON	2.45	↓	12.7	7.4	5.7	2.5	53375-029* 2
	MATERIAL NO. 極数 MODEL NO. 53375-**-9*						NO. OF

REVISED EC NO: J2017-0525 DRAWN: TANAKAO 2017/04/14 CHKD: APPR: KANEKO 2017/04/14	GENERAL TOLERANCES (UNLESS SPECIFIED)		DIMENSION STYLE MM ONLY		SCALE 3:1		DESIGN UNITS METRIC		THIRD ANGLE PROJECTION	
	0.25 UNDER	UNDER	±0.03	DRAWN BY	DATE	TITLE				
0.25 OVER	0.5 UNDER	±0.05	M.UMEDA	2005/01/21	2.5 WIRE TO BOARD CONN. WAFER ASSY RADIAL TAPING -LEAD FREE-					
0.5 OVER	1.0 UNDER	±0.1	CHECKED BY	DATE	molex					
1.0 OVER	10 UNDER	±0.2	K.TOYODA	2005/01/21	DOCUMENT NO. SD-53375-004					
10 OVER	30 UNDER	±0.25	APPROVED BY	DATE	SHEET NO. 1 OF 3					
30 OVER		±0.3	N.UKITA	2005/01/21	THIS DRAWING CONTAINS INFORMATION THAT IS PROPRIETARY TO MOLEX ELECTRONIC TECHNOLOGIES, LLC AND SHOULD NOT BE USED WITHOUT WRITTEN PERMISSION					
ANGULAR		±3 °	MATERIAL NO.		SIZE A3					
DRAFT WHERE APPLICABLE MUST REMAIN WITHIN DIMENSIONS										



極数別テーピング状態図
CKT. TAPING FORM

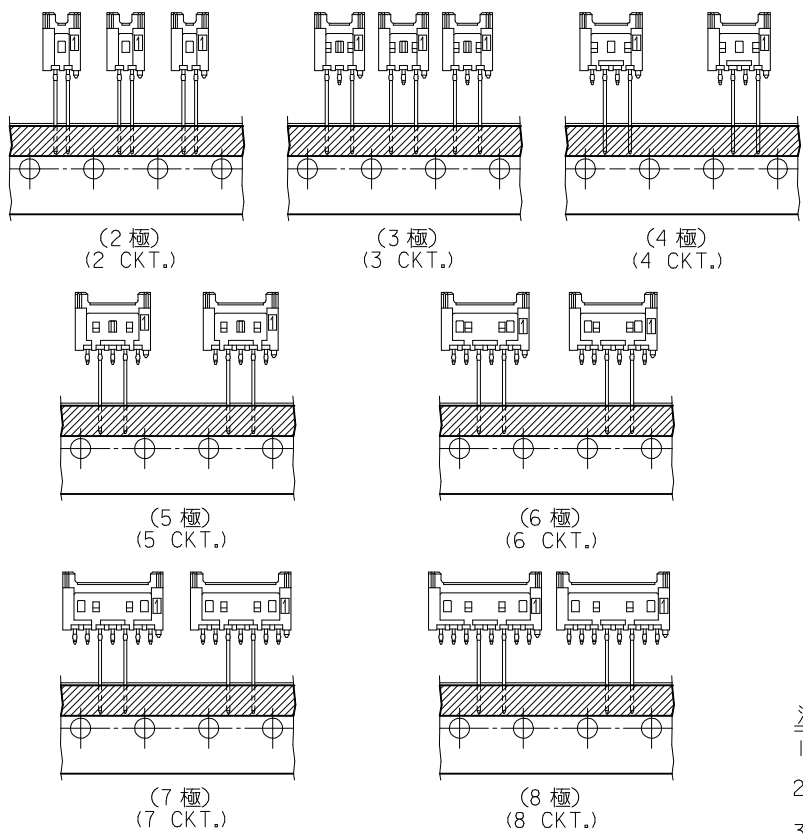


注記 NOTES

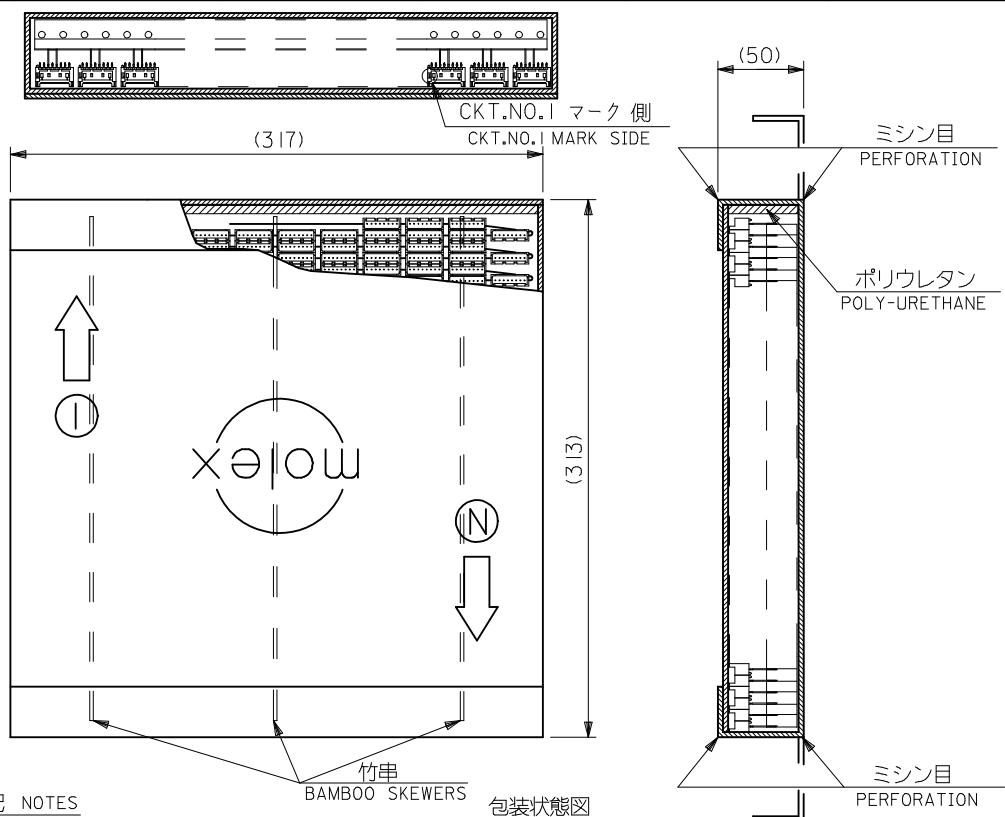
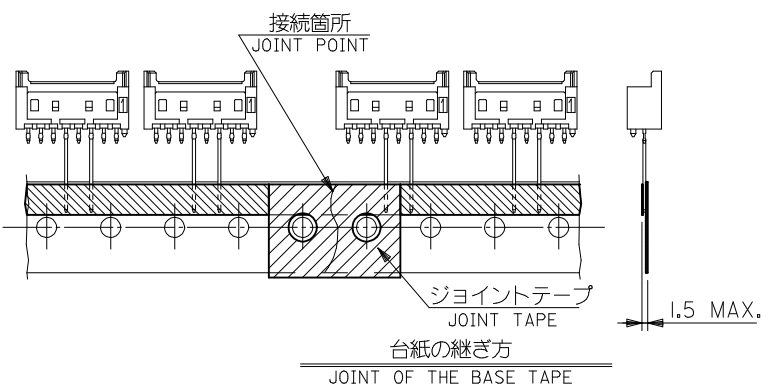
1. 包装形態はつづら折りで箱詰め。
RADIAL TAPE IS FOLDED AND PILED IN THE CARTON.
2. テーピングの両端には、5個以上の送り穴を設けること。
BOTH ENDS OF TAPING, MORE THAN 5 FEEDING HOLES SHOULD BE PROVIDED.
3. コネクタの欠落数は、D寸法 (SHEET 1 OF 2 参照) が12、7の場合連続3個まで、25、4の場合1個とする。(折り目ごとの1個抜きも含む)
ALLOWABLE NUMBERS OF CONSECUTIVE MISSING CONNECTORS:
FOR CONNECTORS WHERE D=12.7,=3(REFER TO SHEET 1 OF 2)
FOR CONNECTORS WHERE D=25.4,=1
4. 台紙の継ぎ目のずれは、いかなる方向からも ±0.3以内とする。
MISMATCHED JOINT OF THE BASE TAPE SHOULD BE KEPT WITHIN ±0.3mm IN EVERY DIRECTIONS.
5. 図中以外の項目は、日本工業規格 JIS C0805 "電子部品のテーピング" を適用。
ITEMS UNLESS OTHERWISE SPECIFIED, JIS C 0805 (TAPING OF ELECTRONIC COMPONENTS) SHOULD BE APPLIED.

MODEL NO. 53375-***9*

REVISED EC NO: J2017-0525 DRWNR: TANA02 2017/04/14 CHKD: APPR: IKANEKO 2017/04/14	GENERAL TOLERANCES (UNLESS SPECIFIED)		DIMENSION STYLE MM ONLY		SCALE ---	DESIGN UNITS METRIC	THIRD ANGLE PROJECTION
	0.25 UNDER	UNDER	±0.03	DRAWN BY M.UMEDA	DATE 2005/01/21	TITLE 2.5 WIRE TO BOARD CONN. WAFER ASS RADIAL TAPING -LEAD FREE-	
	0.25 OVER	0.5 UNDER	±0.05	CHECKED BY K.TOYODA	DATE 2005/01/21		
	0.5 OVER	1.0 UNDER	±0.1	APPROVED BY N.UKITA	DATE 2005/01/21		
1.0 OVER	10 UNDER	±0.2	MATERIAL NO.		DOCUMENT NO.	SHEET NO.	
10 OVER	30 UNDER	±0.25	SEE TABLE		SD-53375-004	2 OF 3	
30 OVER		±0.3	DRAFT WHERE APPLICABLE MUST REMAIN WITHIN DIMENSIONS		THIS DRAWING CONTAINS INFORMATION THAT IS PROPRIETARY TO MOLEX ELECTRONIC TECHNOLOGIES, LLC AND SHOULD NOT BE USED WITHOUT WRITTEN PERMISSION		
	ANGULAR	±3 °	SIZE A3				



極数別テーピング状態図
CKT. TAPING FORM



注記 NOTES

1. 包装形態はつづら折りで箱詰め。
RADIAL TAPE IS FOLDED AND PILED IN THE CARTON.
2. テーピングの両端には、5個以上の送り穴を設けること。
BOTH ENDS OF TAPING, MORE THAN 5 FEEDING HOLES SHOULD BE PROVIDED.
3. コネクタの欠落数は、D寸法 (SHEET 1 OF 2 参照) が12、7の場合連続3個まで、25、4の場合1個とする。(折り目ごとの1個抜きも含む)
ALLOWABLE NUMBERS OF CONSECUTIVE MISSING CONNECTORS:
FOR CONNECTORS WHERE D=12.7,=3(REFER TO SHEET 1 OF 2)
FOR CONNECTORS WHERE D=25.4,=1
4. 台紙の継ぎ目のずれは、いかなる方向からも ±0.3以内とする。
MISMATCHED JOINT OF THE BASE TAPE SHOULD BE KEPT WITHIN ±0.3mm IN EVERY DIRECTIONS.
5. 図中以外の項目は、日本工業規格 JIS C0805 "電子部品のテーピング" を適用。
ITEMS UNLESS OTHERWISE SPECIFIED, JIS C 0805 (TAPING OF ELECTRONIC COMPONENTS) SHOULD BE APPLIED.


MODEL NO. 53375-***9*

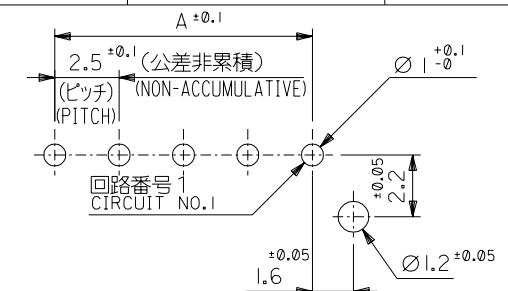
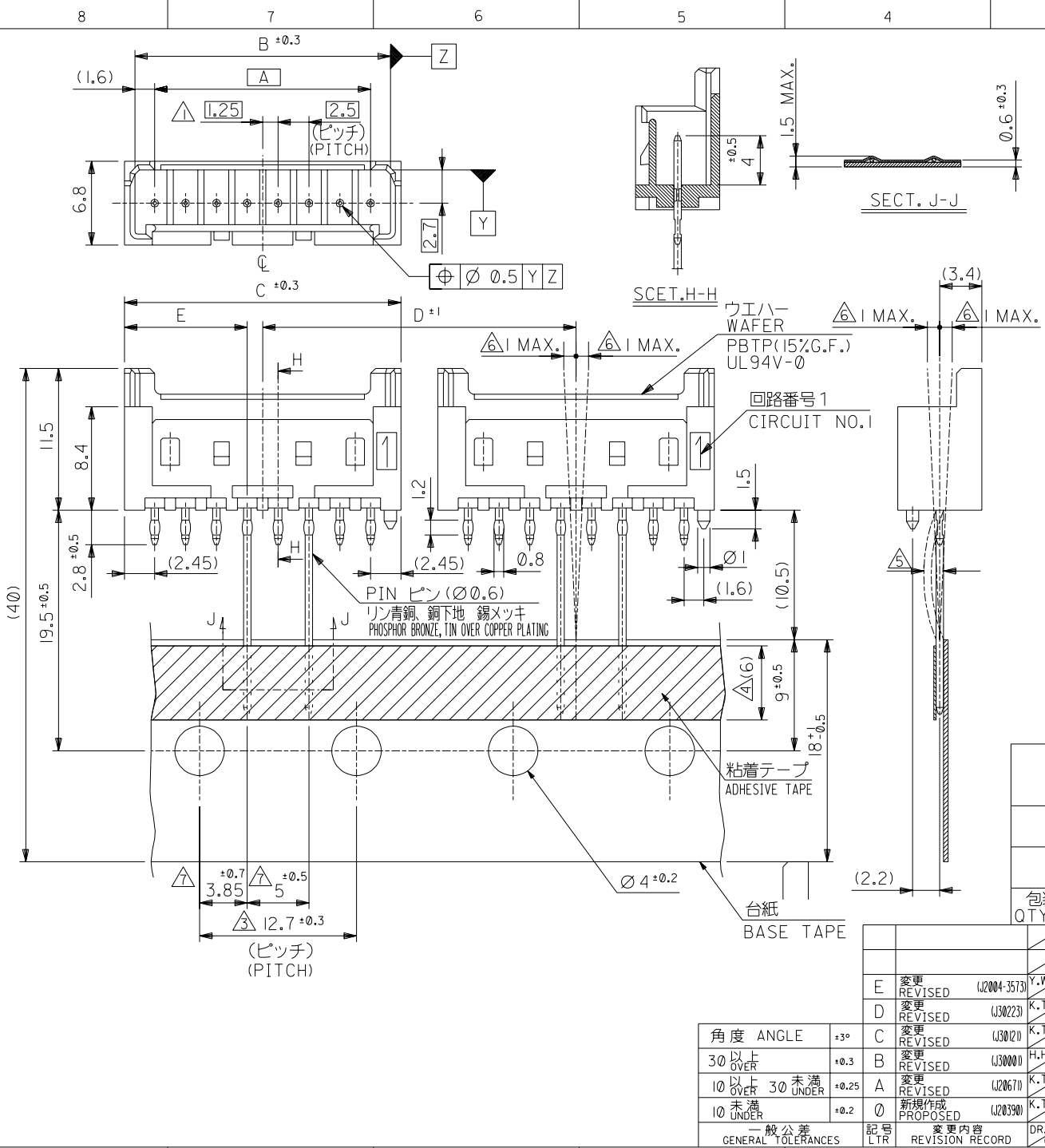
REVISED EC NO: J2017-0525 DRWNR: TANA02 2017/04/14 CHKD: APPR: IKANEKO 2017/04/14	GENERAL TOLERANCES (UNLESS SPECIFIED)		DIMENSION STYLE MM ONLY		SCALE ---	DESIGN UNITS METRIC	THIRD ANGLE PROJECTION
	0.25 UNDER	UNDER	±0.03	DRAWN BY M.UMEDA	DATE 2005/01/21	TITLE 2.5 WIRE TO BOARD CONN. WAFER ASS RADIAL TAPING -LEAD FREE-	
	0.25 OVER	0.5 UNDER	±0.05	CHECKED BY K.TOYODA	DATE 2005/01/21	DOCUMENT NO. SD-53375-004	
	0.5 OVER	1.0 UNDER	±0.1	APPROVED BY N.UKITA	DATE 2005/01/21		
	1.0 OVER	10 UNDER	±0.2	MATERIAL NO.		SHEET NO. 2 OF 3	
10 OVER	30 UNDER	±0.25	SEE TABLE		THIS DRAWING CONTAINS INFORMATION THAT IS PROPRIETARY TO MOLEX ELECTRONIC TECHNOLOGIES, LLC AND SHOULD NOT BE USED WITHOUT WRITTEN PERMISSION		
30 OVER		±0.3	SIZE A3		DRAFT WHERE APPLICABLE MUST REMAIN WITHIN DIMENSIONS		

		53375-0893	53375-0892	53375-0891	53375-0890	8
			53375-0792		53375-0790	7
	53375-0694	53375-0693	53375-0692		53375-0690	6
			53375-0592	53375-0591	53375-0590	5
			53375-0492	53375-0491	53375-0490	4
53375-0396	53375-0394	53375-0393	53375-0392	53375-0391	53375-0390	3
	53375-0294	53375-0293	53375-0292	53375-0291	53375-0290	2
53375-***96 COLOR : GREEN	53375-***94 COLOR : BLUE	53375-***93 COLOR : YELLOW	53375-***92 COLOR : RED	53375-***91 COLOR : BLACK	53375-***90 COLOR : NATURAL (WHITE)	CKT.
MATERIAL No.						

			MODEL NO. 53375-***9*				
REVISED EC NO: J2017-0525 DRW:RTANAKA02 2017/04/14 CHKD: APPR:TKANEKO 2017/04/14	GENERAL TOLERANCES (UNLESS SPECIFIED)			DIMENSION STYLE MM ONLY	SCALE 3:1	DESIGN UNITS METRIC	THIRD ANGLE PROJECTION
	0.25 UNDER	UNDER	± 0.03	DRAWN BY	DATE	TITLE	
	0.25 OVER	0.5 UNDER	± 0.05	M.UMEDA	2005/01/21	2.5 WIRE TO BOARD CONN. WAFER ASSY RADIAL TAPING -LEAD FREE-	
	0.5 OVER	1.0 UNDER	± 0.1	CHECKED BY	DATE	molex	
	1.0 OVER	10 UNDER	± 0.2	K.TOYODA	2005/01/21		
10 OVER	30 UNDER	± 0.25	APPROVED BY	DATE	DOCUMENT NO.	SHEET NO.	
30 OVER		± 0.3	N.UKITA	2005/01/21	SD-53375-004	3 OF 3	
ANGULAR	±3 °		MATERIAL NO.		SEE TABLE		
DRAFT WHERE APPLICABLE MUST REMAIN WITHIN DIMENSIONS			SIZE A3	THIS DRAWING CONTAINS INFORMATION THAT IS PROPRIETARY TO MOLEX ELECTRONIC TECHNOLOGIES, LLC AND SHOULD NOT BE USED WITHOUT WRITTEN PERMISSION			

		53375-0893	53375-0892	53375-0891	53375-0890	8
			53375-0792		53375-0790	7
	53375-0694	53375-0693	53375-0692		53375-0690	6
			53375-0592	53375-0591	53375-0590	5
			53375-0492	53375-0491	53375-0490	4
53375-0396	53375-0394	53375-0393	53375-0392	53375-0391	53375-0390	3
	53375-0294	53375-0293	53375-0292	53375-0291	53375-0290	2
53375-***96 COLOR : GREEN	53375-***94 COLOR : BLUE	53375-***93 COLOR : YELLOW	53375-***92 COLOR : RED	53375-***91 COLOR : BLACK	53375-***90 COLOR : NATURAL (WHITE)	CKT.
MATERIAL No.						

				MODEL NO. 53375-***9*					
REVISED EC NO: J2017-0525 DRWR: TANAKA02 2017/04/14 CHKD: APPR: KANEKO 2017/04/14	GENERAL TOLERANCES (UNLESS SPECIFIED)			DIMENSION STYLE MM ONLY		SCALE 3:1	DESIGN UNITS METRIC	THIRD ANGLE PROJECTION	
	0.25 UNDER	UNDER	± 0.03	DRAWN BY	DATE	TITLE			
	0.25 OVER	0.5 UNDER	± 0.05	M. UMEDA	2005/01/21	2.5 WIRE TO BOARD CONN. WAFER ASSY RADIAL TAPING -LEAD FREE-			
	0.5 OVER	1.0 UNDER	± 0.1	CHECKED BY	DATE				
	1.0 OVER	10 UNDER	± 0.2	K. TOYODA	2005/01/21				
	10 OVER	30 UNDER	± 0.25	APPROVED BY	DATE				
30 OVER		± 0.3	N. UKITA	2005/01/21	MATERIAL NO.		DOCUMENT NO.	SHEET NO.	
ANGULAR ±3 °			SEE TABLE		SD-53375-004		3 OF 3		
DRAFT WHERE APPLICABLE MUST REMAIN WITHIN DIMENSIONS				SIZE A3	THIS DRAWING CONTAINS INFORMATION THAT IS PROPRIETARY TO MOLEX ELECTRONIC TECHNOLOGIES, LLC AND SHOULD NOT BE USED WITHOUT WRITTEN PERMISSION				



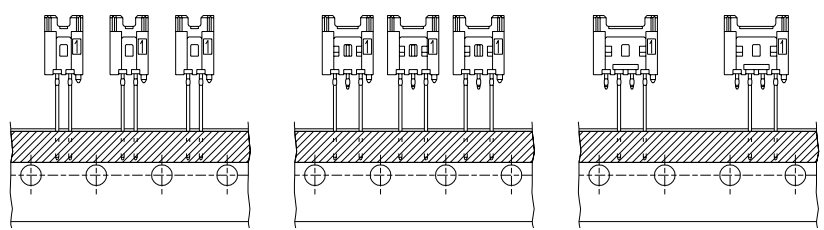
基板取付穴推奨寸法 (マウント面)
RECOMMENDED P.C. BOARD HOLE DIMENSION (t=1.6)
(MOUNTING SIDE) (SCALE 5:1)

注記 NOTES

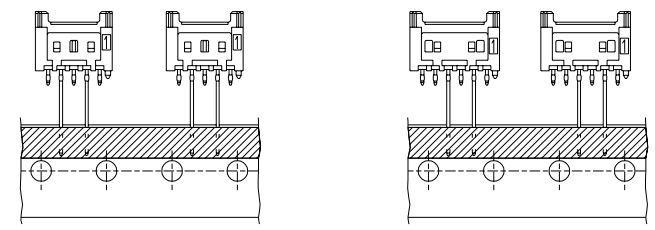
- ① 偶数極品に適用。
APPLIES ONLY TO EVEN NO. CKT. SIZES.
- 2. 嵌合相手: 51102, 51103 シリーズ
MATES WITH: 51102, 51103 SERIES.
- ③ 累積ピッチの許容差は、20ピッチで ±1.0mm とする。
ACCUMULATED TOLERANCE IS TO BE ±1.0mm PER 20 PITCH.
- ④ 粘着テープは台紙からはみ出さないこと。
THE ADHESIVE TAPE SHOULD NOT BE PROTRUDED FROM THE BASE TAPE.
- ⑤ リード線の曲がりの許容差は 1mm MAX. とする。
CAMBER OF THE LEADS: 1mm MAX.
- ⑥ 測定位置は、コネクタの先端とする。
INCLINED POSITION FROM THE CENTER-LINE, SHOULD BE 1mm MAX. MEASURING SHOULD BE DONE, USING THE TOP OF BASE TAPE AS DATUM.
- ⑦ 測定位置は、台紙の上端とし、リード線の中心線との間隔とする。
DIM. 3.85 AND DIM. 5 SHOULD BE MEASURED ON THE TOP OF BASE TAPE. DIMENSIONS ARE A SPACING BETWEEN THE CENTER-LINES.

400	9.95	25.4	22.4	20.7	17.5	53375-0890	8
	7.45	↑	19.9	18.2	15	↑	-0790
500	7.45	↓	17.4	15.7	12.5	↓	-0690
	4.95	↓	14.9	13.2	10	↓	-0590
900	4.95	↓	12.4	10.7	7.5	↓	-0490
	2.45	↓	9.9	8.2	5	↓	-0390
	2.45	↓	7.4	5.7	2.5	↓	-0290
包装数量/箱 QTY./CARTON	E	D	C	B	A	MATERIAL NO.	極数 NO. OF CKTS.

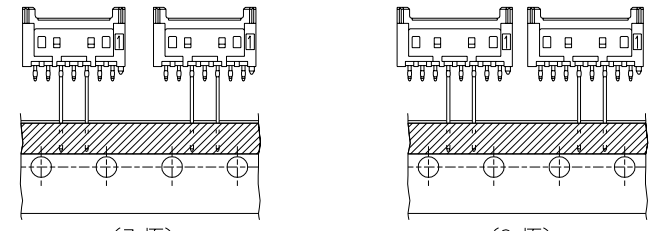
材料 MATERIAL		図中参照 SEE DRAWING		molex MOLEX-JAPAN CO., LTD. 日本モレックス株式会社	
E 変更 REVISED	(J2004-3573)	Y.W M.S	04/04/05	REVISION RECORD	
D 変更 REVISED	(J30223)	K.T H.H	93/3/10	仕上げ FINISH	
C 変更 REVISED	(J3021)	K.T H.H	93/2/9	適用電線範囲 WIRE RANGE	
B 変更 REVISED	(J30000)	H.H M.F	93/1/7	被覆外径 INS. RANGE	
A 変更 REVISED	(J20671)	K.T H.H	92/7/29	DRAWN BY '92/5/6 K.TOJO	
⑦ 新規作成 PROPOSED	(J20390)	K.T H.H	92/5/8	CHK'D BY '93/3/10 H.HIRAMOTO	
① 一般公差 GENERAL TOLERANCES		DR. CHK.	DATE	APP'D BY '93/3/10 M.FUKUSHIMA	



(2 極) (2 CKT.) (3 極) (3 CKT.) (4 極) (4 CKT.)

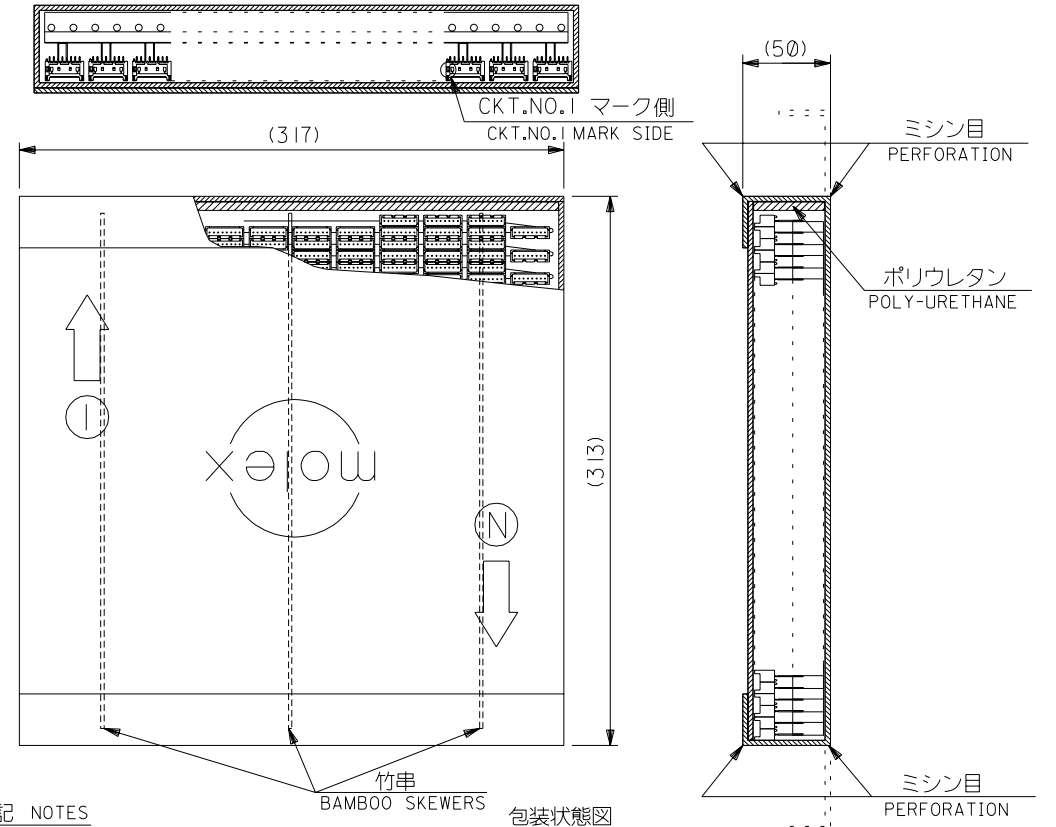
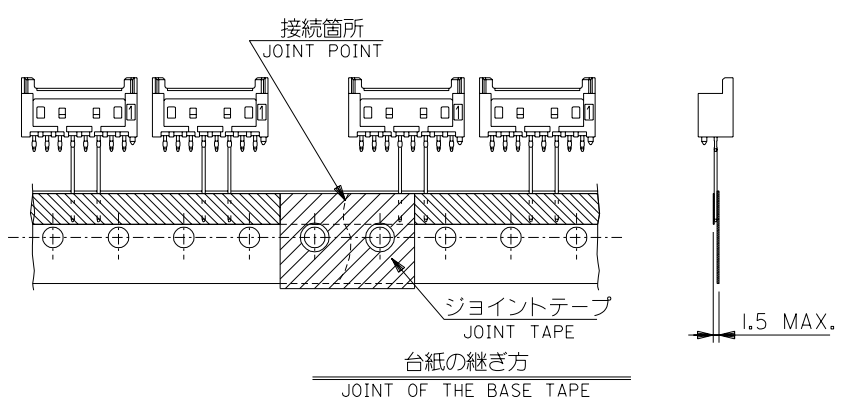


(5 極) (5 CKT.) (6 極) (6 CKT.)



(7 極) (7 CKT.) (8 極) (8 CKT.)

極数別テーピング状態図
CKT. TAPING FORM



注記 NOTES

- 包装形態はつば折りて箱詰め。
RADIAL TAPE IS FOLDED AND PILED IN THE CARTON.
- テーピングの両端には、5個以上の送り穴を設けること。
BOTH ENDS OF TAPING, MORE THAN 5 FEEDING HOLES SHOULD BE PROVIDED.
- コネクタの欠落数は、D寸法 (SHEET 1 OF 2 参照) が 12.7 の場合連続3個まで、25.4 の場合1個とする。(折り目ごとの1個抜きも含む)
ALLOWABLE NUMBERS OF CONSECUTIVE MISSING CONNECTORS:
FOR CONNECTORS WHERE D=12.7,=3(REFER TO SHEET 1 OF 2)
FOR CONNECTORS WHERE D=25.4,=1
- 台紙の継ぎ目のずれは、いかなる方向からも ±0.3以内とする。
MISMATCHED JOINT OF THE BASE TAPE SHOULD BE KEPT WITHIN ±0.3mm IN EVERY DIRECTIONS.
- 図中指示以外の項目は、日本工業規格 JIS C0805 “電子部品のテーピング”を適用。
ITEMS UNLESS OTHERWISE SPECIFIED, JIS C 0805 (TAPING OF ELECTRONIC COMPONENTS) SHOULD BE APPLIED.

		材料 MATERIAL		SHEET 1 OF 2 参照 REFER TO SHEET 1 OF 2		molex MOLEX-JAPAN CO.,LTD. 日本モレックス株式会社	
E	変更 REVISD	(J2004-3573)	Y.W	M.S	04/04/05	REVISE ONLY ON CAD SYSTEM	
D	変更 REVISD	(J30223)	K.T	H.H	93/3/10	TITLE 名称	
C	変更 REVISD	(J30210)	K.T	H.H	93/2/9	適用電線範囲 WIRE RANGE	
B	変更 REVISD	(J30000)	H.H	M.F	93/1/7	被覆外径 INS. RANGE	
A	変更 REVISD	(J206710)	K.T	H.H	92/7/29	DRAWN BY '92/5/6 K.TOJO	
①	新規作成 PROPOSED	(J20390)	K.T	H.H	92/5/8	CHK'D BY '93/3/10 H.HIRAMOTO	
一般公差 GENERAL TOLERANCES		記号 LTR	変更内容 REVISION RECORD	DR. CHK.	日付 DATE	尺度 SCALE	—