

50719-1 ✓ ACTIVE

COPALUM

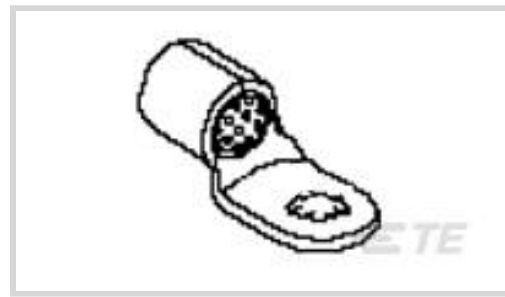
TE Internal #: 50719-1

Ring Terminals & Spade Terminals, Ring Tongue, 6 AWG Wire Size,
14 mm² Wire Size, 20800 – 33100 CMA Wire Size, Stud Size M6

[View on TE.com >](#)



Terminals & Splices > Ring Terminals & Spade Terminals



Ring & Spade Terminal Type: **Ring Tongue**

Wire Size: **20800 – 33100 CMA**

Stud Size: **M6**

Features

Product Type Features

| | |
|--|------------------------|
| Shape Description | RING-041 |
| Stud Size | M6 |
| Sealable | No |
| Wire Insulation Support Retention Type | Non-Insulation Support |

Configuration Features

| | |
|-----------------|-------|
| Number of Holes | 1 |
| Terminal Angle | 180 ° |

Body Features

| | |
|------------------|---------|
| Weight per Piece | 7.043 g |
|------------------|---------|

Contact Features

| | |
|-------------------------------|-------------|
| Ring & Spade Terminal Type | Ring Tongue |
| Barrel Type | Closed |
| Terminal Orientation | Straight |
| Terminal Plating Material | Tin |
| Contact Underplating Material | None |

Dimensions

| | |
|------------------------|--------------------|
| Wire Size | 20800 – 33100 CMA |
| Stud Diameter | 5 mm[.197 in] |
| Tongue Thickness | 1.3 mm[.051 in] |
| Overall Product Length | 35.94 mm[1.415 in] |



| | |
|------------------------|------------------|
| Barrel Inside Diameter | 6.05 mm[.238 in] |
|------------------------|------------------|

Usage Conditions

| | |
|-----------------------------|----------------------------|
| Insulation Option | Uninsulated |
| Operating Temperature Range | -55 – 150 °C[-85 – 347 °F] |

Operation/Application

| | |
|------------|----|
| Heavy Duty | No |
|------------|----|

Packaging Features

| | |
|--------------------|-----|
| Packaging Quantity | 100 |
| Packaging Method | Box |

Other

| | |
|---------|--|
| Comment | Not approved for reconnection of residential aluminum branch circuit wiring., When two or more wires are used in a parallel splice, the combined cross-sectional area must be within the CMA range listed. |
|---------|--|

Product Compliance

[For compliance documentation, visit the product page on TE.com>](#)

| | |
|---|--|
| EU RoHS Directive 2011/65/EU | Compliant |
| EU ELV Directive 2000/53/EC | Compliant |
| China RoHS 2 Directive MIIT Order No 32, 2016 | No Restricted Materials Above Threshold |
| EU REACH Regulation (EC) No. 1907/2006 | Current ECHA Candidate List: JUNE 2022 (224) Candidate List Declared Against: JAN 2022 (223) SVHC > Threshold: Not Yet Reviewed |
| Halogen Content | Low Halogen - Br, Cl, F, I < 900 ppm per homogenous material. Also BFR/CFR/PVC Free |
| Solder Process Capability | Not applicable for solder process capability |

Product Compliance Disclaimer

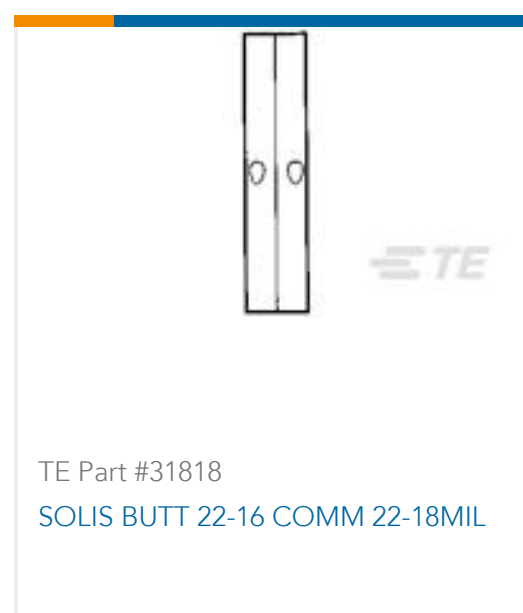
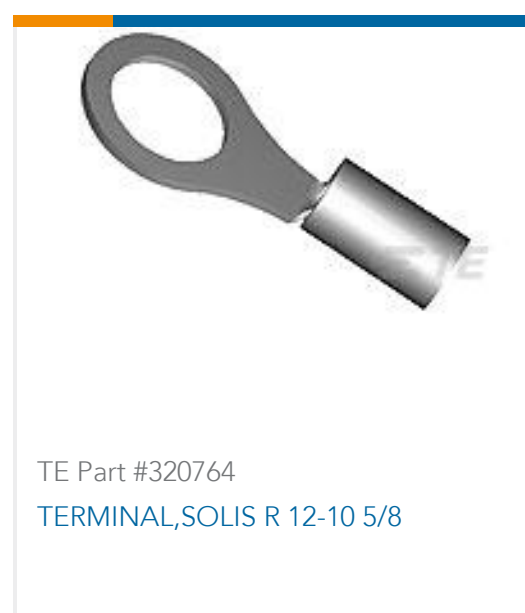
This information is provided based on reasonable inquiry of our suppliers and represents our current actual knowledge based on the information they provided. This information is subject to change. The part numbers that TE has identified as EU RoHS compliant have a maximum concentration of 0.1% by weight in homogenous materials for lead, hexavalent chromium, mercury, PBB, PBDE, DBP, BBP, DEHP, DIBP, and 0.01% for cadmium, or qualify for an exemption to these limits as defined in the Annexes of Directive 2011/65/EU (RoHS2). Finished electrical and electronic equipment products will be CE marked as required by Directive 2011/65/EU. Components may not be CE marked. Additionally, the part

numbers that TE has identified as EU ELV compliant have a maximum concentration of 0.1% by weight in homogenous materials for lead, hexavalent chromium, and mercury, and 0.01% for cadmium, or qualify for an exemption to these limits as defined in the Annexes of Directive 2000/53/EC (ELV). Regarding the REACH Regulation, the information TE provides on SVHC in articles for this part number is based on the latest European Chemicals Agency (ECHA) 'Guidance on requirements for substances in articles' posted at this URL: <https://echa.europa.eu/guidance-documents/guidance-on-reach>

Compatible Parts



Customers Also Bought



Documents

Product Drawings

[TERMINAL,COPALUM 6 1/4](#)

English

CAD Files

Customer View Model

[ENG_CVM_50719-1_G.3d_igs.zip](#)

English

Customer View Model

[ENG_CVM_50719-1_G.3d_stp.zip](#)



English

Customer View Model

[ENG_CVM_50719-1_G.2d_dxf.zip](#)

English

3D PDF

English

By downloading the CAD file I accept and agree to the [Terms and Conditions](#) of use.

Datasheets & Catalog Pages

[COPALUM Lite Sealed Terminals and Splices](#)

English

Product Specifications

[Application Specification](#)

English

[COPALUM Terminals And Splices For Solid And Stranded Wire](#)

English

[Application Specification](#)

Japanese

[Copalum Terminals & Splices f/Solid & Stranded Wire](#)

Japanese

Product Environmental Compliance

[TE Material Declaration](#)

English