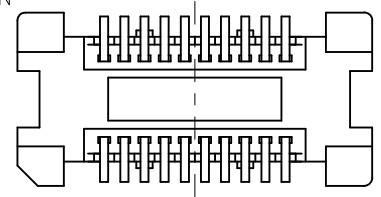
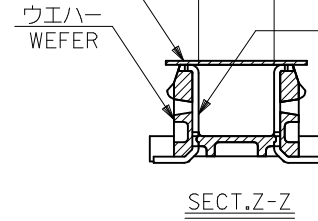
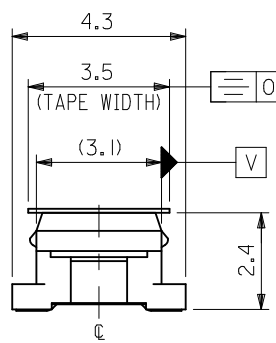
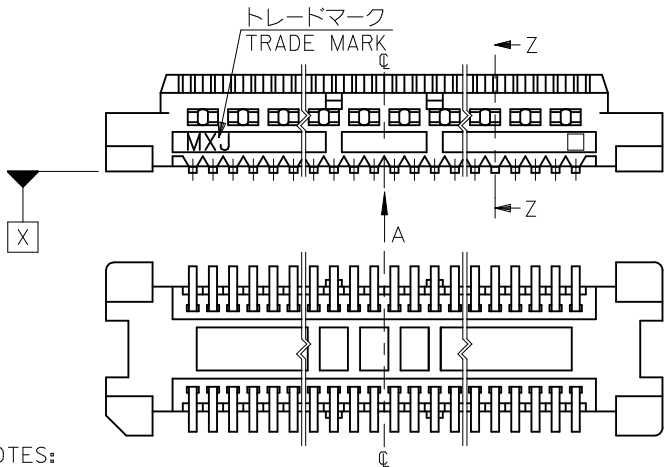


参考基板レイアウト (マウント面)
RECOMMENDED P.C.BOARD
PATTERN DIMENSION (REF.)
(MOUNTING AREA)



VIEW A (CASE OF 30CKT)

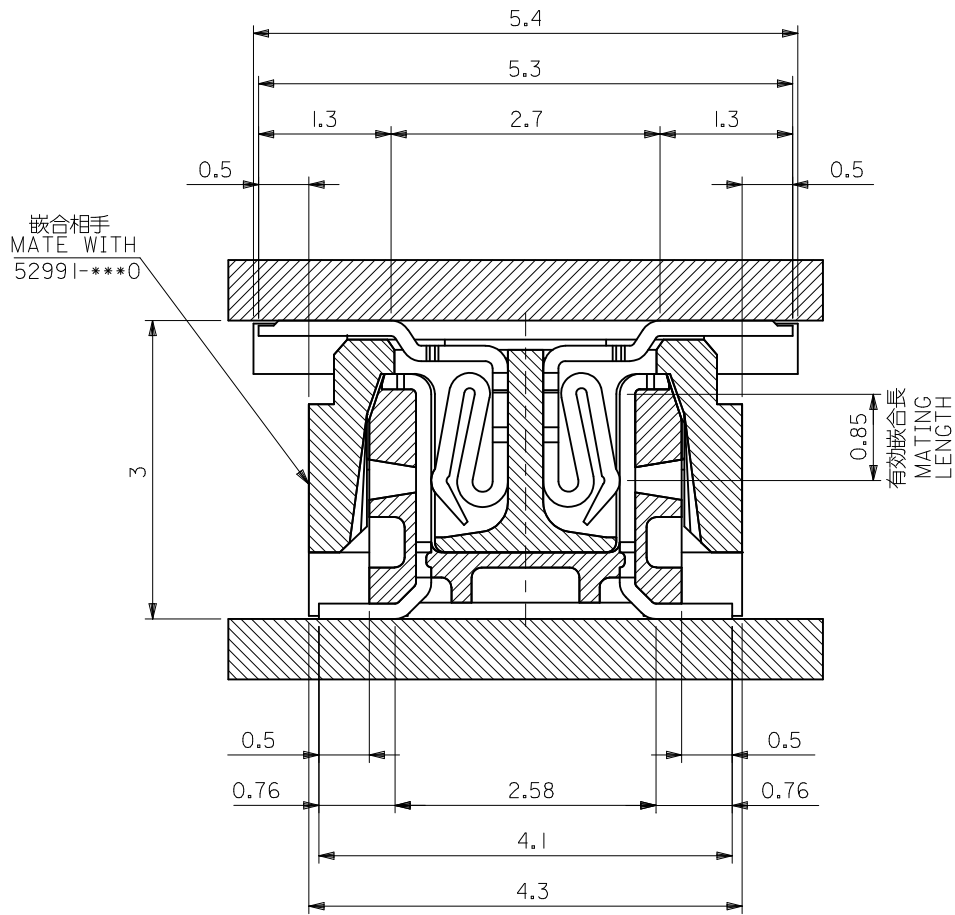


注記 NOTES:

1. 使用材料 MATERIAL
ハウジング: LCPガラス入り (白), UL94V-0
HOUSING: LCP (G.F.) (COLOR: WHITE), UL94V-0
ターミナル: 黄銅 (t=0.15)
TERMINAL: BRASS (t=0.15)
テープ: ポリイミド (t=50µm)
TAPE: PI (t=50µm)
2. メッキ仕様 PLATING
全体仕上げ: 金メッキ 0.1µmMIN.
ALL OVER: GOLD 0.1µmMIN.
下地メッキ: ニッケルメッキ 1.5µmMIN.
UNDER PLATING: NICKEL 1.5µmMIN.
3. 基準面 [X] からのソルダーテールの半田付け面のズレ量は、上方向 0、
下方向 0.15MAX. とする。
MISALIGNMENT OF SOLDER TAIL FROM [X]
: UPPER DIRECTION 0, LOWER DIRECTION 0.15 MAX.
△ (全極数/2) = 偶数の場合に適用。
APPLY FOR (CIRCUIT/2)=EVEN.
- 5 嵌合相手: 52991 シリズ
MATE WITH: 52991 SERIES.
- 6 テール平坦度は、0.1MAX.
TAIL COPLANARITY TO BE 0.1MAX.
7. ELV 及びRoHS 適合品
ELV AND RoHS COMPLIANT

| | | | | | | |
|-----|------|-------|------|----------------------------|--------------|---------------|
| 7.0 | 23.8 | 20.24 | 19.5 | 53748-0804 | 53748-0802 | 80 |
| 7.0 | 16.3 | 12.74 | 12.0 | 53748-0504 | 53748-0502 | 50 |
| 4.0 | 11.3 | 7.74 | 7.0 | 53748-0304 | 53748-0302 | 30 |
| D | C | B | A | EMBOSSED TAPE ORDER NO. | MATERIAL NO. | 極数 CIRCUIT |

| | | | | | | | | | |
|---|-------------|---------------------------------------|--|----------------------------|--|---|------------------------|---------------------------|--|
| REVISED EC NO: J2010-1926 DRW: KTOYODA 2010/03/25 CHKD: S MARUYAMA 2010/03/26 APPR: MSASAO 2010/03/29 | DESCRIPTION | GENERAL TOLERANCES (UNLESS SPECIFIED) | | DIMENSION STYLE MM ONLY | | SCALE 8:1 | DESIGN UNITS METRIC | THIRD ANGLE PROJECTION | |
| | | 10 UNDER | ±0.2 | DRAWN BY S. AIHARA | DATE '96/2/27 | TITLE 0.5 B/B CONN PLUG WITH TAPE (W/O BOSS W/O NAIL) SHEET 1 OF 2 | | | |
| | | 10 OVER 30 UNDER | ±0.25 | CHECKED BY H. HIRAMOTO | DATE '96/3/16 | MOLEX INCORPORATED DOCUMENT NO. SD-53748-003 SHEET NO. 1 OF 2 | | | |
| | | 30 OVER | ±0.3 | APPROVED BY H. HIRAMOTO | DATE '96/3/16 | | | | |
| | | ANGULAR ±3 ° | DRAFT WHERE APPLICABLE MUST REMAIN WITHIN DIMENSIONS | SIZE A3 | THIS DRAWING CONTAINS INFORMATION THAT IS PROPRIETARY TO MOLEX INCORPORATED AND SHOULD NOT BE USED WITHOUT WRITTEN PERMISSION | | | | |



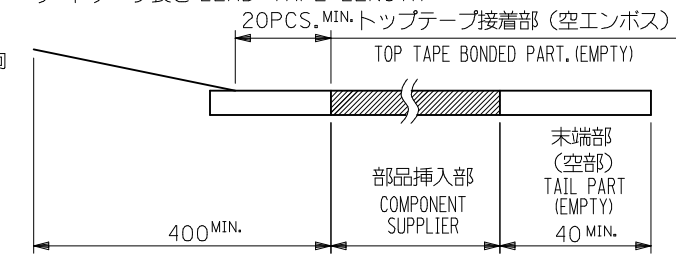
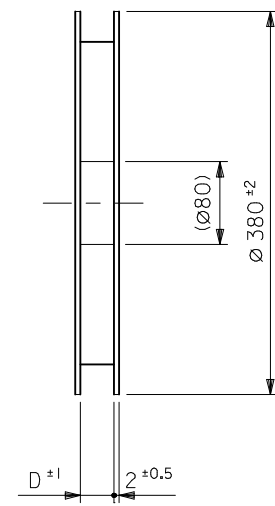
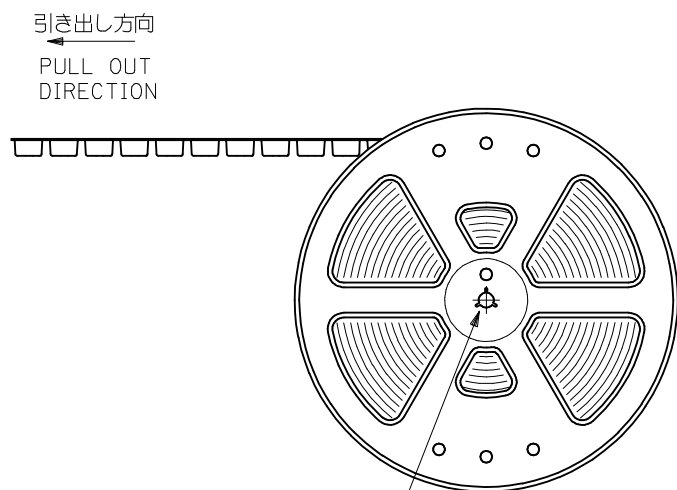
嵌合断面図 (参考)
MATED DRAWING (REF.)

MODEL NO. 53748-***2

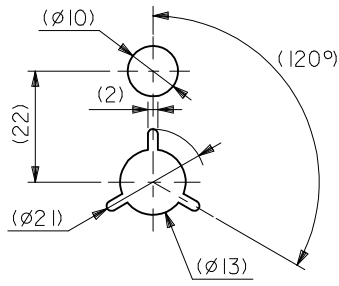
| | | | | | | | | |
|--|---------------------------------------|-----------|----------------------------|---|--|------------------------|------------------------|--|
| REVISED EC NO: J2010-1926 DRW:KTOYODA 2010/03/25 CHK:D.SMARUYAMA 2010/03/26 APPR:MSASAO 2010/03/29 | GENERAL TOLERANCES (UNLESS SPECIFIED) | | DIMENSION STYLE MM ONLY | | SCALE 20:1 | DESIGN UNITS METRIC | THIRD ANGLE PROJECTION | |
| | 10 UNDER | ±--- | DRAWN BY S.AIHARA | DATE '96/2/27 | TITLE 0.5 B/B CONN PLUG WITH TAPE (W/O BOSS W/O NAIL) SHEET 2 OF 2 | | | |
| | 10 OVER 30 UNDER | ±--- | CHECKED BY H.HIRAMOTO | DATE '96/3/16 | | | | |
| | 30 OVER | ±--- | APPROVED BY H.HIRAMOTO | DATE '96/3/16 | MOLEX INCORPORATED DOCUMENT NO. SD-53748-003 SHEET NO. 2 OF 2 | | | |
| | ANGULAR ±---° | | MATERIAL NO. | | | | | |
| DRAFT WHERE APPLICABLE MUST REMAIN WITHIN DIMENSIONS | | SEE TABLE | | THIS DRAWING CONTAINS INFORMATION THAT IS PROPRIETARY TO MOLEX INCORPORATED AND SHOULD NOT BE USED WITHOUT WRITTEN PERMISSION | | | | |

NOTES

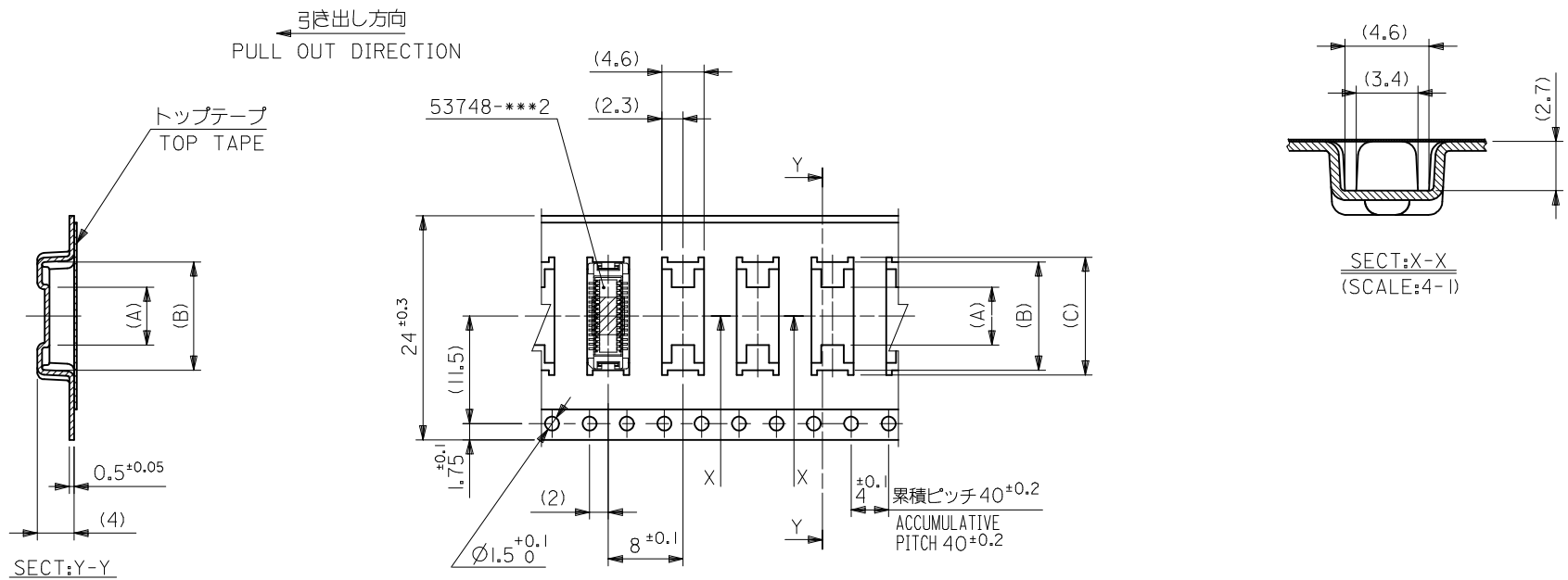
- 製品詳細寸法については図面 SD-53748-003 を参照下さい。
RE DETAILED DIMENSION, SEE SD-53748-003
- 梱包数量：3000個/リール
NUMBER OF CONNECTORS : 3000PCS/REEL
- リードテープ長さ LEAD TAPE LENGTH



- 材料 (MATERIAL)
キャリアテープ (CARRIER TAPE) : ポリプロピレン (POLYPROPYLENE)
トップテープ (TOPTAPE) : PET, PE, PEF
リール (REEL) : ポリスチレン (PS) <リサイクル材を含む>
POLYSTYREN(PS) <RECYCLE MATERIAL CONTAINED>



| | | | | | | |
|---|---------------------------------------|--|-----------------------------|-------------------------------|---------------------------------|----------------------|
| REVISED EC NO: J2009-0487 DRWN:NAKAMURA 2008/12/08 CHKD:T. HARUYAMA 2008/12/08 APPR:NUKITA 2009/01/09 | GENERAL TOLERANCES (UNLESS SPECIFIED) | | DIMENSION STYLE MM ONLY | SCALE --- | DESIGN UNITS METRIC | MODEL NO. 53748-***4 |
| | 10 UNDER | ±0.2 | DRAWN BY S. AIHARA | DATE '96/3/25 | THIRD ANGLE PROJECTION | |
| | 10 OVER 30 UNDER | ±0.25 | CHECKED BY T. ITO | DATE '01/1/22 | TITLE 0.5 BTB KONN PLUG WITH | |
| | 30 OVER | ±0.3 | APPROVED BY M. FUKUSHIMA | DATE '01/1/22 | MOLEX INCORPORATED | |
| REV | DESCRIPTION | ANGULAR ±3 ° | MATERIAL NO. | DOCUMENT NO. | SHEET NO. | |
| | | DRAFT WHERE APPLICABLE MUST REMAIN WITHIN DIMENSIONS | SIZE A3 | SEE TABLE SD-53748-004 1 OF 4 | | |
| THIS DRAWING CONTAINS INFORMATION THAT IS PROPRIETARY TO MOLEX INCORPORATED AND SHOULD NOT BE USED WITHOUT WRITTEN PERMISSION | | | | | | |



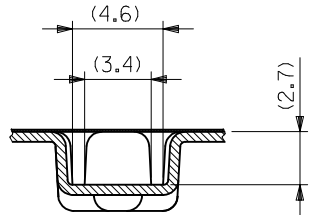
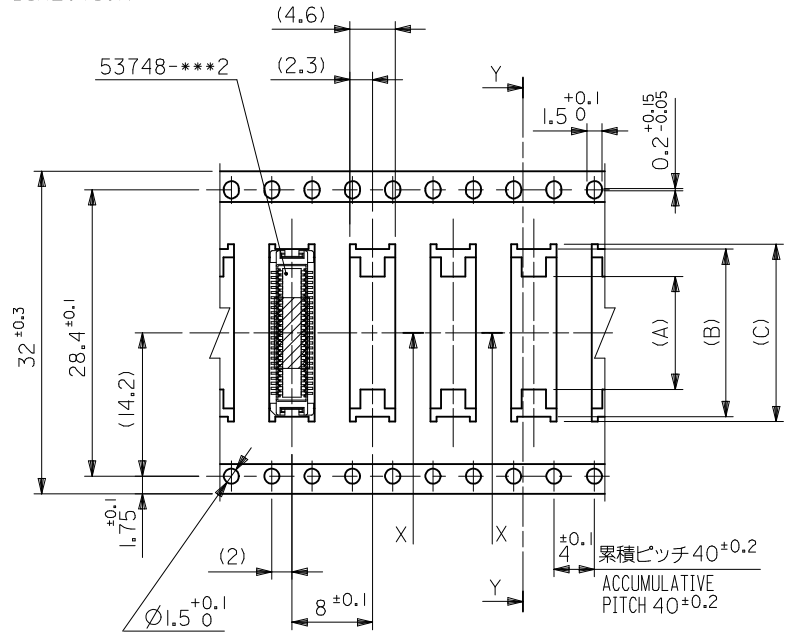
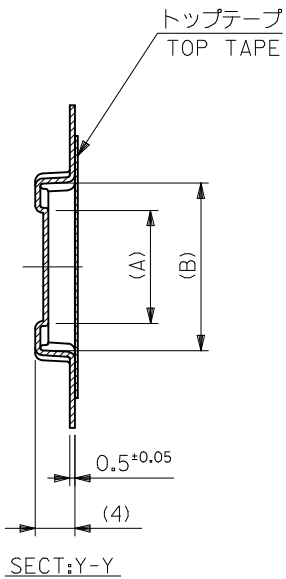
24mm幅キャリアテープ
24mm WIDTH CARRIER TAPE

| | | | | | | |
|--------------------------------|------|------|------|-----|--------------|------------|
| 24 | 25.5 | 12.6 | 11.6 | 4.9 | 53748-0304 | 30 |
| キャリアテープ幅 CARRIER TAPE WIDTH | D | (C) | (B) | (A) | MATERIAL NO. | 極数 CKT. |
| | | | | | MODEL NO. | 53748-***4 |

| | | | | | | | | | | | |
|--|--------------------|--|-------|-----------------------------|------------------|---------------------------------|------------------------|------------------------------|---------------------------|--|--|
| REVISED EC NO.: J2009-0487 DRWN: MAKURAA 2008/12/08 CHK'D: HARUYAMA 2008/12/08 APPR: NUKITA 2009/01/09 | DESCRIPTION REV | GENERAL TOLERANCES (UNLESS SPECIFIED) | | DIMENSION STYLE MM ONLY | | SCALE --- | DESIGN UNITS METRIC | | THIRD ANGLE PROJECTION | | |
| | | 10 UNDER | ± --- | DRAWN BY S. AIHARA | DATE '96/4/1 | TITLE 0.5 BTB CONN PLUG WITH | | | | | |
| | | 10 OVER 30 UNDER | ± --- | CHECKED BY T. ITO | DATE '01/1/23 | MOLEX INCORPORATED | | | | | |
| | | 30 OVER | ± --- | APPROVED BY M. FUKUSHIMA | DATE '01/1/23 | SEE TABLE | | DOCUMENT NO. SD-53748-004 | SHEET NO. 2 OF 4 | | |
| ANGULAR ± --- ° DRAFT WHERE APPLICABLE MUST REMAIN WITHIN DIMENSIONS | | THIS DRAWING CONTAINS INFORMATION THAT IS PROPRIETARY TO MOLEX INCORPORATED AND SHOULD NOT BE USED WITHOUT WRITTEN PERMISSION | | | | | | | | | |

10 9 8 7 6 5 4 3 2 1

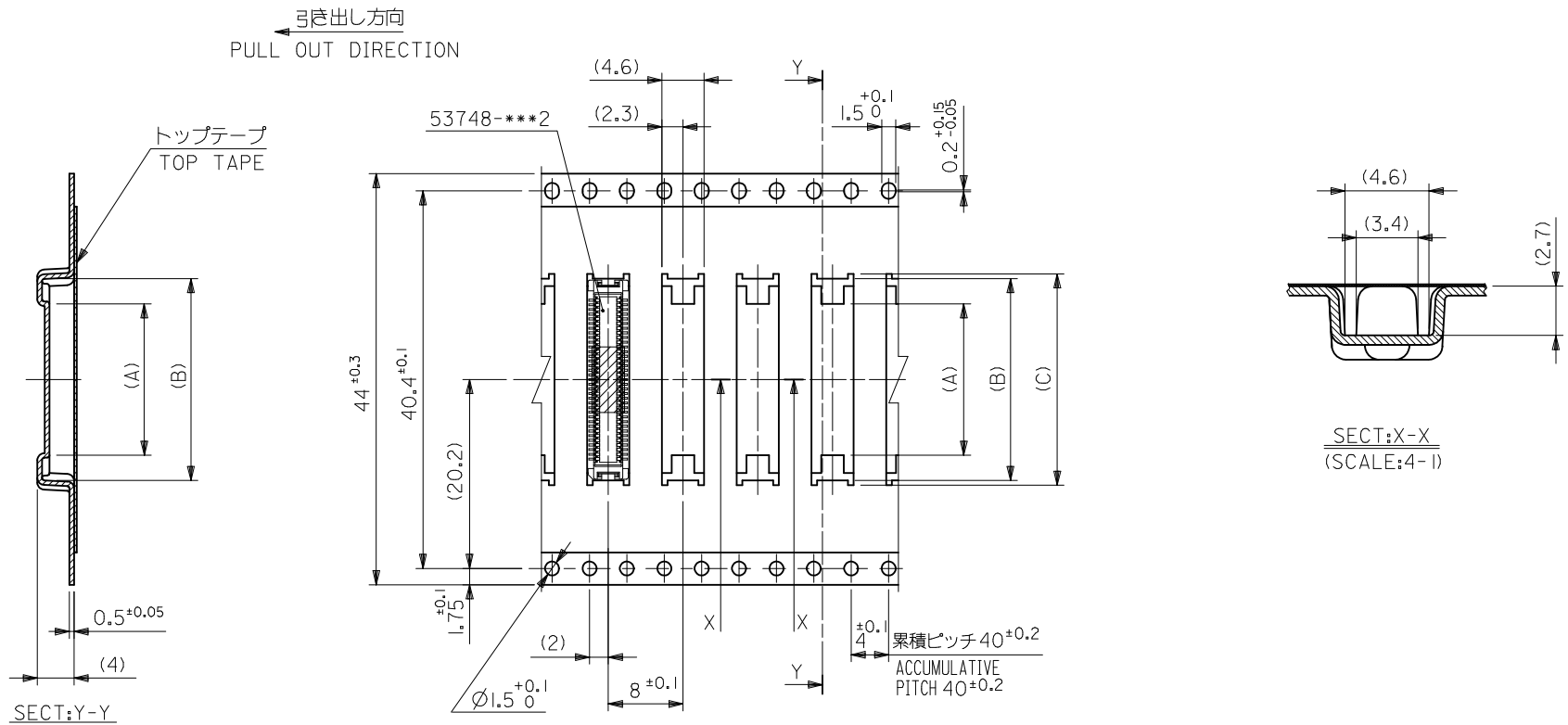
引き出し方向
PULL OUT DIRECTION



32mm幅キャリアテープ
32mm WIDTH CARRIER TAPE

| | | | | | | |
|--------------------------------|------|------|------|------|--------------|------------|
| 32 | 33.5 | 17.6 | 16.6 | 11.2 | 53748-0504 | 50 |
| キャリアテープ幅 CARRIER TAPE WIDTH | D | (C) | (B) | (A) | MATERIAL NO. | 種数 CKT. |
| | | | | | MODEL NO. | 53748-***4 |

| | | | | | | | |
|--|--------------------|---------------------------------------|----------|---|----------|--------------|---|
| REVISED EC NO: J2009-0487 DRWN:NAKAMURA 2008/12/08 CHK'D:T. HARUYAMA 2008/12/08 APPR:NUKITA 2009/01/09 | DESCRIPTION REV | GENERAL TOLERANCES (UNLESS SPECIFIED) | | DIMENSION STYLE | SCALE | DESIGN UNITS | TITLE 0.5 BTB CONN PLUG WITH MOLEX INCORPORATED SD-53748-004 |
| | | | | MM ONLY | --- | METRIC | |
| | | 10 UNDER | ±--- | DRAWN BY | DATE | TITLE | |
| | | 10 OVER 30 UNDER | ±--- | T. YASUI | '96/4/16 | | |
| | | 30 OVER | ±--- | CHECKED BY | DATE | | |
| ANGULAR ±---° | | M. FUKUSHIMA | '01/1/23 | APPROVED BY | | DATE | |
| DRAFT WHERE APPLICABLE MUST REMAIN WITHIN DIMENSIONS | | MATERIAL NO. | | SEE TABLE | | DOCUMENT NO. | |
| | | SIZE | | THIS DRAWING CONTAINS INFORMATION THAT IS PROPRIETARY TO MOLEX INCORPORATED AND SHOULD NOT BE USED WITHOUT WRITTEN PERMISSION | | | |
| | | A3 | | | | | |



44mm幅キャリアテープ
44mm WIDTH CARRIER TAPE

| | | | | | | |
|--------------------------------|------|------|------|------|--------------|------------|
| 44 | 45.5 | 25.1 | 24.1 | 18.7 | 53748-0804 | 80 |
| キャリアテープ幅 CARRIER TAPE WIDTH | D | (C) | (B) | (A) | MATERIAL NO. | 種数 CKT. |
| | | | | | MODEL NO. | 53748-***4 |

| | | | | | | | |
|---|---------------------------------------|--|----------------------------|---|--------------------------------------|------------------------|------------------------|
| REVISED EC NO.: J2009-0487 DRWN: NAKAMURA 2008/12/08 CHKD: T. HARIYAMA 2008/12/08 APPR: NUKITA 2009/01/09 | GENERAL TOLERANCES (UNLESS SPECIFIED) | | DIMENSION STYLE MM ONLY | | SCALE --- | DESIGN UNITS METRIC | THIRD ANGLE PROJECTION |
| | 10 UNDER | ± --- | DRAWN BY T. YASUI | DATE '96/4/16 | TITLE 0.5 BTB CONN PLUG WITH | | |
| | 10 OVER 30 UNDER | ± --- | CHECKED BY T. ITO | DATE '01/1/23 | APPROVED BY M. FUKUSHIMA '01/1/23 | | |
| | 30 OVER | ± --- | MATERIAL NO. SEE TABLE | | DOCUMENT NO. SD-53748-004 | | SHEET NO. 4 OF 4 |
| ANGULAR ± --- ° | | DRAFT WHERE APPLICABLE MUST REMAIN WITHIN DIMENSIONS | | MOLEX INCORPORATED THIS DRAWING CONTAINS INFORMATION THAT IS PROPRIETARY TO MOLEX INCORPORATED AND SHOULD NOT BE USED WITHOUT WRITTEN PERMISSION | | | |