

52949-1 ✓ ACTIVE

PLASTI-GRIP

TE Internal #: 52949-1

Ring Terminals & Spade Terminals, Spring Spade, 22 – 16 AWG

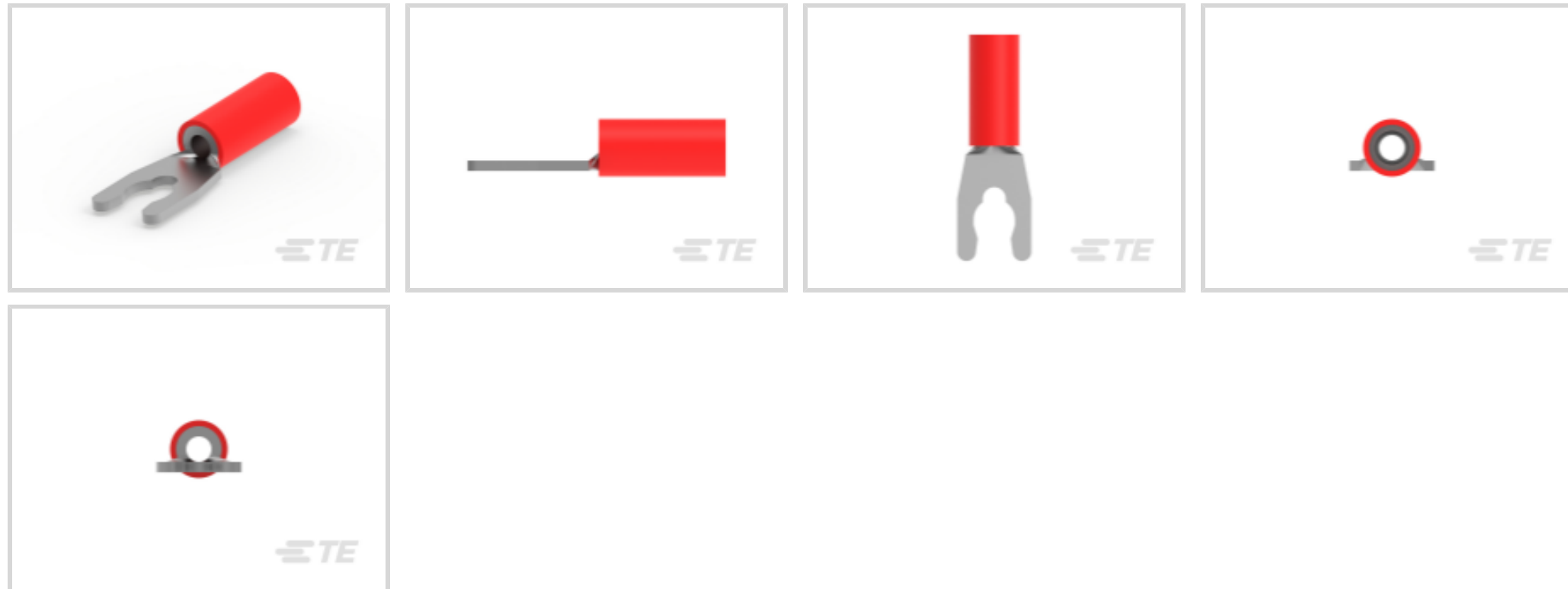
Wire Size, .3 – 1.42 mm<sup>2</sup> Wire Size, 509 – 3260 CMA Wire Size,

PLASTI-GRIP

[View on TE.com >](#)



Terminals & Splices > Ring Terminals & Spade Terminals



Ring & Spade Terminal Type: **Spring Spade**

Wire Size: **509 – 3260 CMA**

Stud Size: **#6, M3.5**

### Features

#### Product Type Features

Shape Description	SPADE-029
Stud Size	#6, M3.5
Sealable	No
Wire Insulation Support Retention Type	Insulation Support

#### Configuration Features

Terminal Angle	180 °
----------------	-------

#### Electrical Characteristics

Voltage (Max)	600 V
---------------	-------

#### Body Features

Inspection Slot	No
Insulation Sleeve Color	Red
Stripe Color	Red

#### Contact Features

Ring & Spade Terminal Type	Spring Spade
Barrel Type	Closed



Terminal Orientation	Offset
Terminal Plating Material	Tin

### Mechanical Attachment

Wire Insulation Support	With
-------------------------	------

### Dimensions

Wire Size	509 – 3260 CMA
Stud Diameter	3.56 mm[.14 in]
Tongue Thickness	.79 mm[.031 in]
Overall Product Length	20.6 mm[.811 in]
Accepts Wire Insulation Diameter (Max)	3.56 mm[.14 in]
Accepts Wire Insulation Diameter Range	2.67 – 3.56 mm[.105 – .14 in]

### Usage Conditions

Insulation Option	Partially Insulated
Operating Temperature Range	105 °C[221 °F]

### Operation/Application

Compatible With Wire Base Material	Copper
Compatible With Wire Plating Material	Tin
Heavy Duty	No

### Industry Standards

Government Qualified	No
----------------------	----

### Packaging Features

Packaging Quantity	5000
Packaging Method	Tape Mounted

### Product Compliance

[For compliance documentation, visit the product page on TE.com>](#)

EU RoHS Directive 2011/65/EU	Compliant
EU ELV Directive 2000/53/EC	Compliant
China RoHS 2 Directive MIIT Order No 32, 2016	No Restricted Materials Above Threshold
EU REACH Regulation (EC) No. 1907/2006	Current ECHA Candidate List: JUNE 2022 (224) Candidate List Declared Against: JAN 2022 (223)

SVHC > Threshold:  
Not Yet Reviewed

Halogen Content

Not Low Halogen - contains Br or Cl > 900 ppm.

Solder Process Capability

Not applicable for solder process capability

#### Product Compliance Disclaimer

This information is provided based on reasonable inquiry of our suppliers and represents our current actual knowledge based on the information they provided. This information is subject to change. The part numbers that TE has identified as EU RoHS compliant have a maximum concentration of 0.1% by weight in homogenous materials for lead, hexavalent chromium, mercury, PBB, PBDE, DBP, BBP, DEHP, DIBP, and 0.01% for cadmium, or qualify for an exemption to these limits as defined in the Annexes of Directive 2011/65/EU (RoHS2). Finished electrical and electronic equipment products will be CE marked as required by Directive 2011/65/EU. Components may not be CE marked. Additionally, the part numbers that TE has identified as EU ELV compliant have a maximum concentration of 0.1% by weight in homogenous materials for lead, hexavalent chromium, and mercury, and 0.01% for cadmium, or qualify for an exemption to these limits as defined in the Annexes of Directive 2000/53/EC (ELV). Regarding the REACH Regulation, the information TE provides on SVHC in articles for this part number is based on the latest European Chemicals Agency (ECHA) 'Guidance on requirements for substances in articles' posted at this URL: <https://echa.europa.eu/guidance-documents/guidance-on-reach>

## Compatible Parts



Also in the Series | **PLASTI-GRIP**



Compression Connectors(3)



Crimp Wire Pins, Tabs & Ferrules(25)



Ring Terminals & Spade Terminals(537)



Special Purpose Terminals(1)

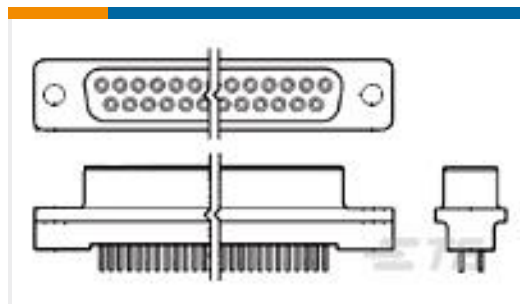


Splices(49)

## Customers Also Bought



TE Part #1903601-5  
DYNAMIC D-3100D V-HDR ASSY 8P  
TIN



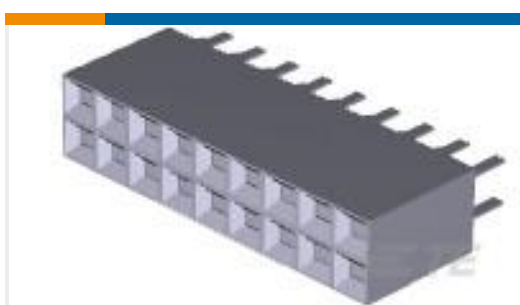
TE Part #5745058-3  
HD-20 RCPT 25P VERT THD INS



TE Part #3-794629-6  
06P MICRO MNL ASSY,R/A,SMT,LF



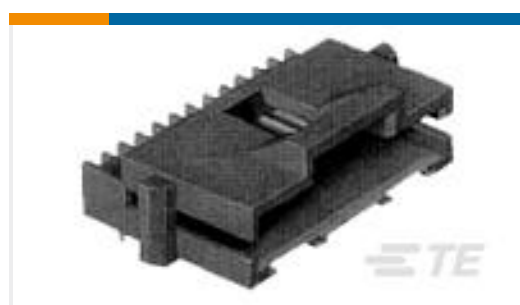
TE Part #52955-1  
TERMINAL,PG SPR SPD 16-14 6



TE Part #5-534206-9  
18 MODII VRT DR CE 100/115



TE Part #52949-3  
PG SPR SPD 22-16COMM 22-18MIL6



TE Part #5-104074-7  
04 SYSTEM 50 HDR SRRA SHRD SN



TE Part #34854  
TERMINAL,PG R 12-10 10



TE Part #53244-2  
TERMINAL,PG SPR SPD 16-14 8



TE Part #1860990-1  
RT78601, RELAY SOCKET PCB 3.5MM

## Documents



## Product Drawings

### PG SPR SPD 22-16COMM 22-18MIL6

English

## CAD Files

### 3D PDF

English

### Customer View Model

[ENG\\_CVM\\_52949-1\\_N1.2d\\_dxf.zip](#)

English

### Customer View Model

[ENG\\_CVM\\_52949-1\\_N1.3d\\_igs.zip](#)

English

### Customer View Model

[ENG\\_CVM\\_52949-1\\_N1.3d\\_stp.zip](#)

English

### 3D PDF

3D

### Customer View Model

[ENG\\_CVM\\_CVM\\_52949-1\\_T.2d\\_dxf.zip](#)

English

### Customer View Model

[ENG\\_CVM\\_CVM\\_52949-1\\_T.3d\\_igs.zip](#)

English

### Customer View Model

[ENG\\_CVM\\_CVM\\_52949-1\\_T.3d\\_stp.zip](#)

English

By downloading the CAD file I accept and agree to the [Terms and Conditions](#) of use.

## Product Specifications

### Application Specification

English

## Product Environmental Compliance

### MD\_52949-1\_102420182320\_dmtec

English

### MD\_52949-1\_102420182320\_dmtec

English

## Instruction Sheets

### AMP\* PIDG\* (VINYL) & PLASTI-GRIP\* SHORT SPRING SPADE TERMINALS FOR BAR

English

### Instruction Sheet (U.S.)

English

## Agency Approvals



[UL Report](#)

English