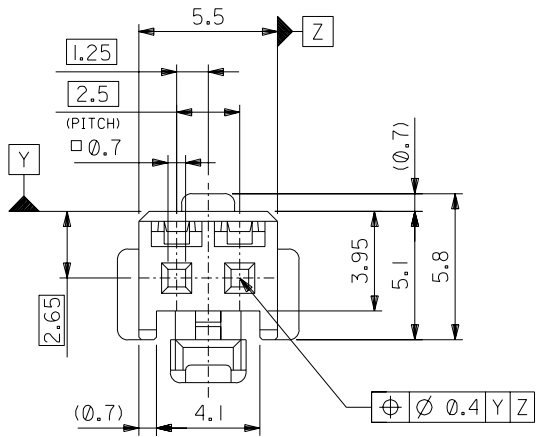
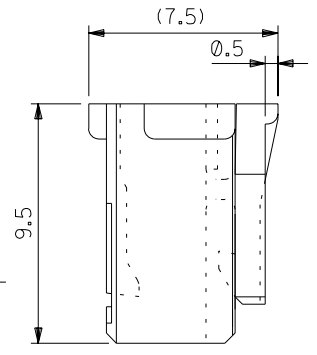
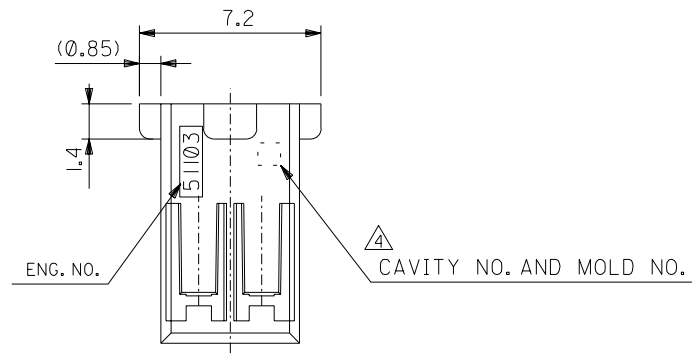
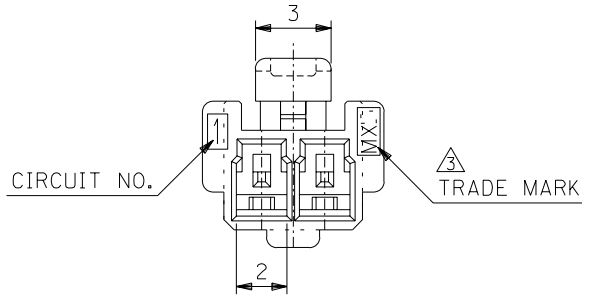


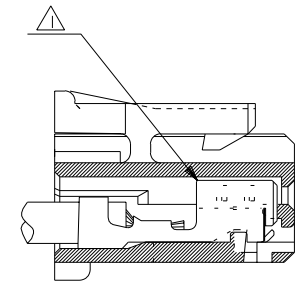
DWG. NO. SD-51103-020



注記 NOTES

- △ 適合ターミナル：50351-8*00
APPLICABLE TERMINAL：50351-8*00
- 2. 嵌合相手：53464 シリーズ
MATE WITH：53464 SERIES.
- △ MX Jと表示。
INDICATE MXJ.
- △ キャビティー番号：1桁～2桁の数字
金型番号：アルファベット1文字にて構成。(例. 1A, 10B)
FORMED BY 1 DIGIT TO 2 DIGIT NUMBERS (TO CAVITY NO.)
AND BY 1 LETTER OF ALPHABET (TO MOLD NO.).
(e.g. 1A, 10B)
- 5. 製品番号の末尾は製品の色を示す
LAST NUMBER OF DWG.NO. MEANS PART COLLER.

51103-**25
色番号 COLLER CODE
5 蛍光灰色 GRAY



ターミナル装着状態図
TERMINAL ASSEMBLY DRAWING

51103-0225	2
MATERIAL NO.	NO. OF CIRCUIT

DIMENSIONS:		SHT	REV
<input type="checkbox"/> mm	<input type="checkbox"/> INCH	<input type="checkbox"/> mm ONLY	<input type="checkbox"/> 2
		DRAWING ON CAD ONLY	

DO NOT SCALE DRAWING	① 64 NO. DRWN: CH'K: APPR:	② 63 NO. DRWN: CH'K: APPR:	③ 62 NO. DRWN: CH'K: APPR:	④ 61 NO. DRWN: CH'K: APPR:	RELEASED '02/11/22 DRWN: N.IITO CH'K: K.ASAKAWA APPR: T.YAMAGUCHI	MATERIAL 材料 POLYBUTYLENE TEREPHTHALATE UL94V-0	GENERAL TOLERANCES: (UNLESS SPECIFIED) 一般公差 10 UNDER 未満 ±0.2 10 OVER 以上 30 UNDER 未満 ±0.25 30 OVER 以上 ±0.3	SCALE 5 : 1 DESIGN UNITS <input checked="" type="checkbox"/> mm <input type="checkbox"/> INCH	⑤ ⑥ ⑦ ⑧ ⑨ ⑩ ⑪ ⑫ ⑬ ⑭ ⑮ ⑯ ⑰ ⑱ ⑲ ⑳ ㉑ ㉒ ㉓ ㉔ ㉕ ㉖ ㉗ ㉘ ㉙ ㉚ ㉛ ㉜ ㉝ ㉞ ㉟ ㊱ ㊲ ㊳ ㊴ ㊵ ㊶ ㊷ ㊸ ㊹ ㊺ ㊻ ㊼ ㊽ ㊾ ㊿	TITLE: 2.5 WIRE TO BOARD CONN. HOUSING (POSITIVE LOCK)	DIMENSIONS: <input type="checkbox"/> mm <input type="checkbox"/> INCH <input checked="" type="checkbox"/> mm ONLY	SHT 2 REV 1		
	① 64 NO. DRWN: CH'K: APPR:	② 63 NO. DRWN: CH'K: APPR:	③ 62 NO. DRWN: CH'K: APPR:	④ 61 NO. DRWN: CH'K: APPR:	⑤ ⑥ ⑦ ⑧ ⑨ ⑩ ⑪ ⑫ ⑬ ⑭ ⑮ ⑯ ⑰ ⑱ ⑲ ⑳ ㉑ ㉒ ㉓ ㉔ ㉕ ㉖ ㉗ ㉘ ㉙ ㉚ ㉛ ㉜ ㉝ ㉞ ㉟ ㊱ ㊲ ㊳ ㊴ ㊵ ㊶ ㊷ ㊸ ㊹ ㊺ ㊻ ㊼ ㊽ ㊾ ㊿	FINISH 仕上げ #	DRAWN BY & DATE N.IITO '02/11/22	CHECKED BY & DATE K.ASAKAWA '02/11/22	APPROVED BY & DATE T.YAMAGUCHI '02/11/22	MOLEX MOLEX INCORPORATED	CAD FILENAME SD-51103-020.S01	MATERIAL NO. SEE CHART	DRAWING NO. SD-51103-020	SHEET NO. 1 OF 1
	① 64 NO. DRWN: CH'K: APPR:	② 63 NO. DRWN: CH'K: APPR:	③ 62 NO. DRWN: CH'K: APPR:	④ 61 NO. DRWN: CH'K: APPR:	⑤ ⑥ ⑦ ⑧ ⑨ ⑩ ⑪ ⑫ ⑬ ⑭ ⑮ ⑯ ⑰ ⑱ ⑲ ⑳ ㉑ ㉒ ㉓ ㉔ ㉕ ㉖ ㉗ ㉘ ㉙ ㉚ ㉛ ㉜ ㉝ ㉞ ㉟ ㊱ ㊲ ㊳ ㊴ ㊵ ㊶ ㊷ ㊸ ㊹ ㊺ ㊻ ㊼ ㊽ ㊾ ㊿	WIRE RANGE 適用線径範囲 #	CAD FILENAME SD-51103-020.S01	MATERIAL NO. SEE CHART	DRAWING NO. SD-51103-020	MOLEX MOLEX INCORPORATED	CAD FILENAME SD-51103-020.S01	MATERIAL NO. SEE CHART	DRAWING NO. SD-51103-020	SHEET NO. 1 OF 1
	① 64 NO. DRWN: CH'K: APPR:	② 63 NO. DRWN: CH'K: APPR:	③ 62 NO. DRWN: CH'K: APPR:	④ 61 NO. DRWN: CH'K: APPR:	⑤ ⑥ ⑦ ⑧ ⑨ ⑩ ⑪ ⑫ ⑬ ⑭ ⑮ ⑯ ⑰ ⑱ ⑲ ⑳ ㉑ ㉒ ㉓ ㉔ ㉕ ㉖ ㉗ ㉘ ㉙ ㉚ ㉛ ㉜ ㉝ ㉞ ㉟ ㊱ ㊲ ㊳ ㊴ ㊵ ㊶ ㊷ ㊸ ㊹ ㊺ ㊻ ㊼ ㊽ ㊾ ㊿	INS. RANGE 被覆外径 #	CAD FILENAME SD-51103-020.S01	MATERIAL NO. SEE CHART	DRAWING NO. SD-51103-020	MOLEX MOLEX INCORPORATED	CAD FILENAME SD-51103-020.S01	MATERIAL NO. SEE CHART	DRAWING NO. SD-51103-020	SHEET NO. 1 OF 1

THIS DRAWING CONTAINS INFORMATION THAT IS PROPRIETARY TO MOLEX INCORPORATED AND SHOULD NOT BE USED WITHOUT WRITTEN PERMISSION. SIZE B

10 9 8 7 6 5 4 3 2 1

F

E

D

C

B

A

F

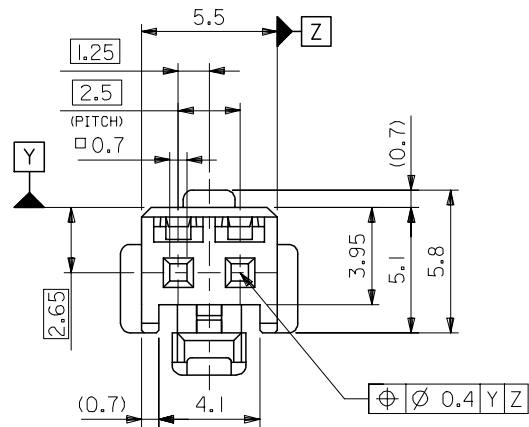
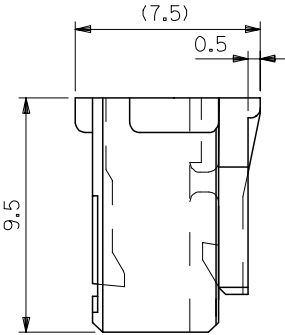
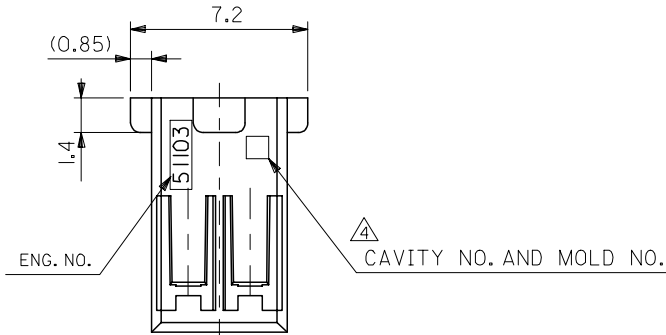
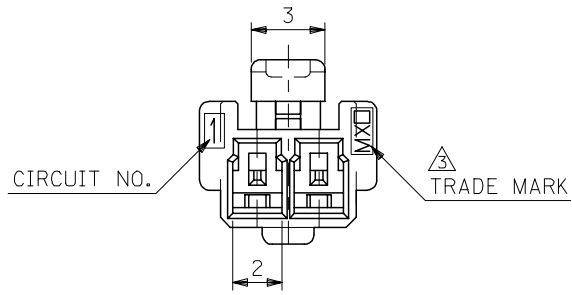
E

D

C

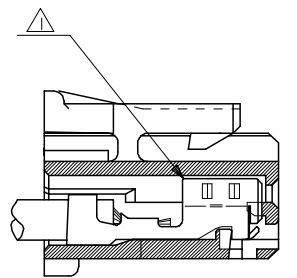
B

A



注記 NOTES

- △ 適合ターミナル : 50351-8*00
APPLICABLE TERMINAL : 50351-8*00
- 2. 嵌合相手 : 53375,53426,53464シリーズ
MATE WITH : 53375,53426,53464 SERIES.
- △ 3 MX Jと表示。
INDICATE MXJ.
- △ 4 キャビティー番号 : 1桁~2桁の数字
金型番号 : アルファベット1文字にて構成。(例. 1A, 10B)
FORMED BY 1 DIGIT TO 2 DIGIT NUMBERS (TO CAVITY NO.)
AND BY 1 LETTER OF ALPHABET (TO MOLD NO.).
(e.g. 1A, 10B)



ターミナル装着状態図
TERMINAL ASSEMBLY DRAWING

51103-0289	2
51103-0288	
51103-0287	
51103-0286	
51103-0285	
51103-0284	
51103-0283	
51103-0282	
51103-0281	
51103-0228	
51103-0227	
51103-0226	
51103-0225	
51103-0224	
51103-0223	
51103-0210	
	NO. OF CIRCUIT
	MATERIAL NO.

MATERIAL
POLYBUTYLENE TEREPHTHALATE
UL94V-0

RELEASED EC NO: J2005-2787 DRAWN: UMEDA CHKD: TOYODA APPR: NUKITA 2005/03/24 2005/03/24 2005/03/31	GENERAL TOLERANCES (UNLESS SPECIFIED)		DIMENSION STYLE MM ONLY	SCALE 5:1	DESIGN UNITS METRIC	THIRD ANGLE PROJECTION	
	10 UNDER	±0.2	DRAWN BY M. UMEDA	DATE 2005/03/22	TITLE 2.5 WIRE TO BOARD CONN. HOUSING (POSITIVE LOCK)		
	10 OVER 30 UNDER	±0.25	CHECKED BY K. TOYODA	DATE 2005/03/22	MOLEX INCORPORATED		
	30 OVER	±0.3	APPROVED BY N. UKITA	DATE 2005/03/22	DOCUMENT NO. SD-51103-022	SHEET NO. 1 OF 2	
0	DRAFT WHERE APPLICABLE MUST REMAIN WITHIN DIMENSIONS		SEE CHART		THIS DRAWING CONTAINS INFORMATION THAT IS PROPRIETARY TO MOLEX INCORPORATED AND SHOULD NOT BE USED WITHOUT WRITTEN PERMISSION		

9 8 7 6 5 4 3 2

10

9

8

7

6

5

4

3

2

1

注記 NOTES


5. 製品番号の末尾は製品の色を示す
 LAST NUMBER OF DWG.NO. MEANS PART COLOR.

51103-02**

種数
 NO. OF CIRCUIT

色番号
 COLOR CODE

10	白	(WHITE)
81	黒	(BLACK)
82	赤	(RED)
83	黄	(YELLOW)
84	青	(BLUE)
85	桃	(PINK)
86	緑	(GREEN)
87	茶	(BROWN)
88	橙	(ORANGE)
89	紫	(VIOLET)
23	蛍光黄色	(FLUORESCENCE YELLOW)
24	水色	(PALE BLUE)
25	灰色	(GRAY)
26	黄緑色	(YELLOWISH GREEN)
27	蛍光橙	(FLUORESCENCE ORANGE)
28	蛍光桃	(FLUORESCENCE PINK)

RELEASED EC NO: J2005-2787 DRAWN: MUMEDA 2005/03/24 CHKD: KTOYODA 2005/03/24 APPR: NUKITA 2005/03/31	GENERAL TOLERANCES (UNLESS SPECIFIED)		DIMENSION STYLE MM ONLY	SCALE 5:1	DESIGN UNITS METRIC	THIRD ANGLE PROJECTION
	10 UNDER	±0.2	DRAWN BY M. UMEDA	DATE 2005/03/22	TITLE 2.5 WIRE TO BOARD CONN. HOUSING (POSITIVE LOCK)	
	10 OVER 30 UNDER	±0.25	CHECKED BY K. TOYODA	DATE 2005/03/22		
	30 OVER	±0.3	APPROVED BY N. UKITA	DATE 2005/03/22	 MOLEX INCORPORATED	
	ANGULAR ±3 °		MATERIAL NO.	DOCUMENT NO. SD-51103-022		
0	DRAFT WHERE APPLICABLE MUST REMAIN WITHIN DIMENSIONS		SIZE A3	THIS DRAWING CONTAINS INFORMATION THAT IS PROPRIETARY TO MOLEX INCORPORATED AND SHOULD NOT BE USED WITHOUT WRITTEN PERMISSION		

9

8

7

6

5

4

3

2