



Connectors > PCB Connectors > PCB Connector Accessories > PCB Connector Keying



Connector Keying Accessory Type: **Keying Hardware**

Keying Hardware Type: **External Pin Header Key**

### Features

#### Product Type Features

Connector Keying Accessory Type	Keying Hardware
---------------------------------	-----------------

#### Body Features

Primary Product Material	Passivated Stainless Steel
Keying Hardware Type	External Pin Header Key

#### Packaging Features

Packaging Method	Package
Packaging Quantity	1

#### Other

Comment	Pin header kit includes two pieces of 530341-1 and two #2-56 cross recessed round headed screws .250 long.
---------	--

### Product Compliance

[For compliance documentation, visit the product page on TE.com>](#)

EU RoHS Directive 2011/65/EU	Compliant
EU ELV Directive 2000/53/EC	Compliant
China RoHS 2 Directive MIIT Order No 32, 2016	No Restricted Materials Above Threshold
EU REACH Regulation (EC) No. 1907/2006	Current ECHA Candidate List: JUNE 2022 (224) Candidate List Declared Against: JUL 2021 (219) SVHC > Threshold: Not Yet Reviewed
Halogen Content	Low Halogen - Br, Cl, F, I < 900 ppm per homogenous material. Also BFR/CFR/PVC

Free

Solder Process Capability

Not applicable for solder process capability

Product Compliance Disclaimer

This information is provided based on reasonable inquiry of our suppliers and represents our current actual knowledge based on the information they provided. This information is subject to change. The part numbers that TE has identified as EU RoHS compliant have a maximum concentration of 0.1% by weight in homogenous materials for lead, hexavalent chromium, mercury, PBB, PBDE, DBP, BBP, DEHP, DIBP, and 0.01% for cadmium, or qualify for an exemption to these limits as defined in the Annexes of Directive 2011/65/EU (RoHS2). Finished electrical and electronic equipment products will be CE marked as required by Directive 2011/65/EU. Components may not be CE marked. Additionally, the part numbers that TE has identified as EU ELV compliant have a maximum concentration of 0.1% by weight in homogenous materials for lead, hexavalent chromium, and mercury, and 0.01% for cadmium, or qualify for an exemption to these limits as defined in the Annexes of Directive 2000/53/EC (ELV). Regarding the REACH Regulation, the information TE provides on SVHC in articles for this part number is based on the latest European Chemicals Agency (ECHA) 'Guidance on requirements for substances in articles' posted at this URL: <https://echa.europa.eu/guidance-documents/guidance-on-reach>

### Compatible Parts

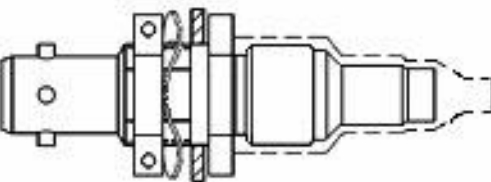


TE Part # 532433-4  
HDI PIN ASSY 3 ROW 105 POS

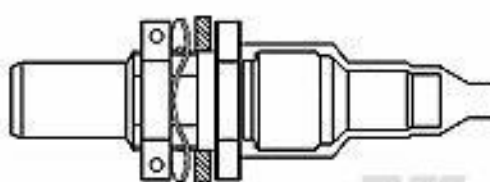
### Customers Also Bought



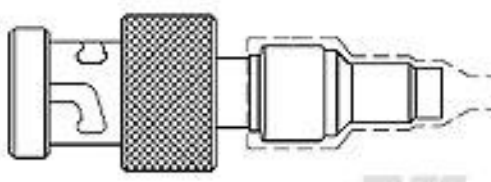
TE Part #120527-1  
1FHP,64,30A/P,S,N,S10,12,13,15



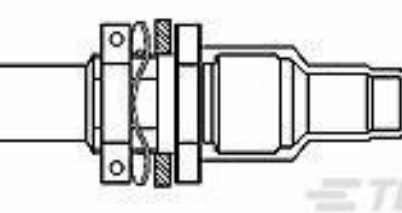
TE Part #241251-000  
DK-621-0440-4S



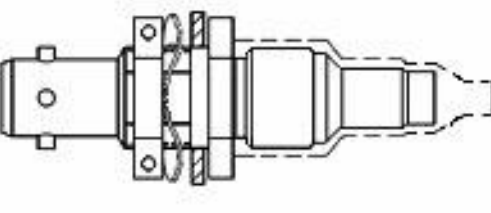
TE Part #118345-000  
DK-621-0412-P



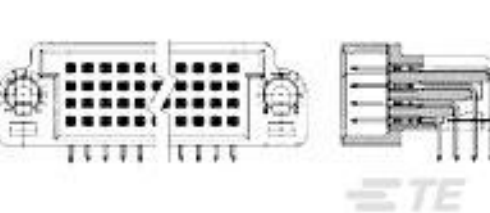
TE Part #014939-000  
DK-621-0439-4S



TE Part #503123-000  
DK-621-0412-S



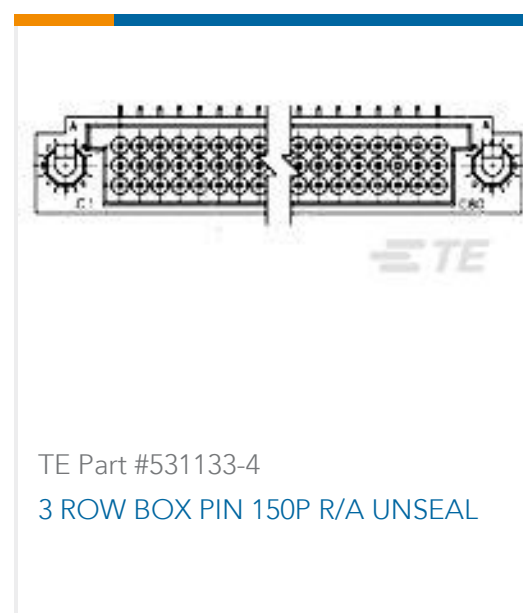
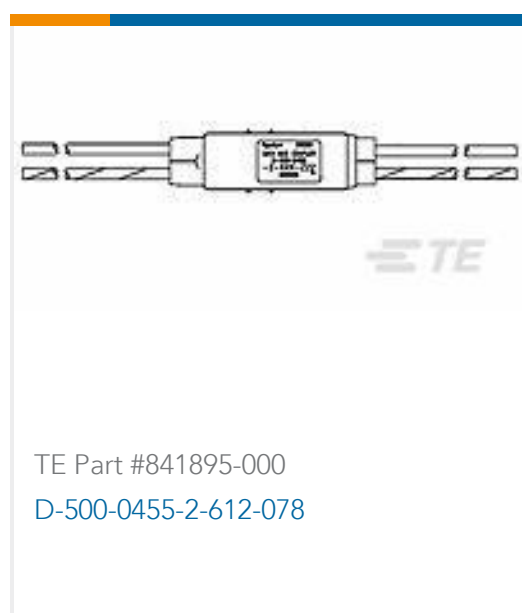
TE Part #042871-000  
DK-621-0440-4P



TE Part #1-446080-0  
BOX 4 ROW R/A PIN ASSY 200 POS



TE Part #1-446081-0  
BOX 4 ROW ASSY 200 POS



## Documents

### Product Drawings

#### BOX PIN HEADER KIT

English

### CAD Files

#### Customer View Model

[ENG\\_CVM\\_530341-7\\_G.3d\\_igs.zip](#)

English

#### Customer View Model

[ENG\\_CVM\\_530341-7\\_G.3d\\_stp.zip](#)

English

#### Customer View Model

[ENG\\_CVM\\_530341-7\\_G.2d\\_dxf.zip](#)

English

### 3D PDF

English

By downloading the CAD file I accept and agree to the [Terms and Conditions](#) of use.

### Datasheets & Catalog Pages

#### Products for Aerospace and Defense

English

### Product Specifications

#### Application Specification

English

### Product Environmental Compliance

#### TE Material Declaration

English