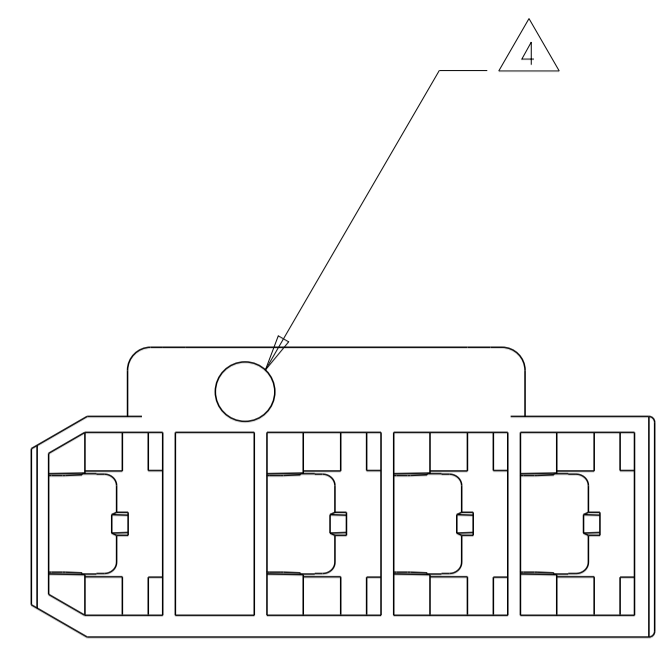
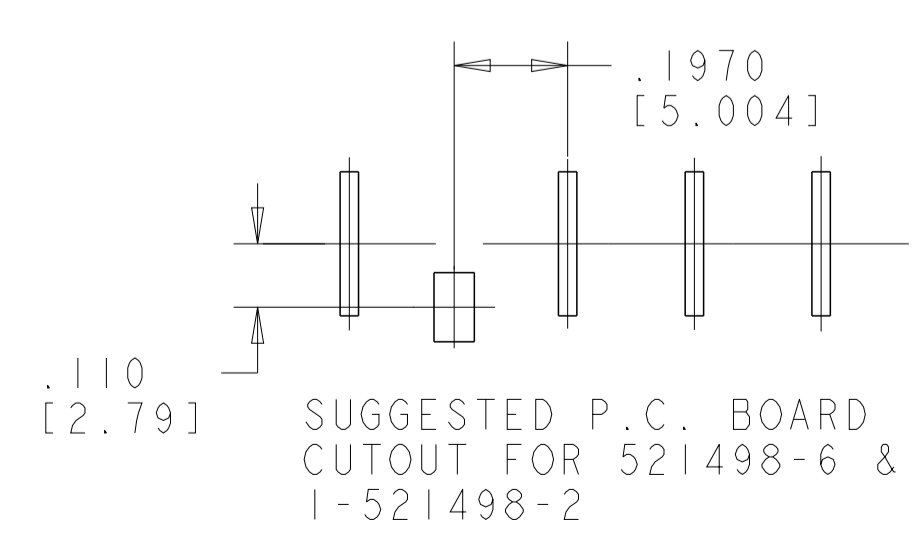
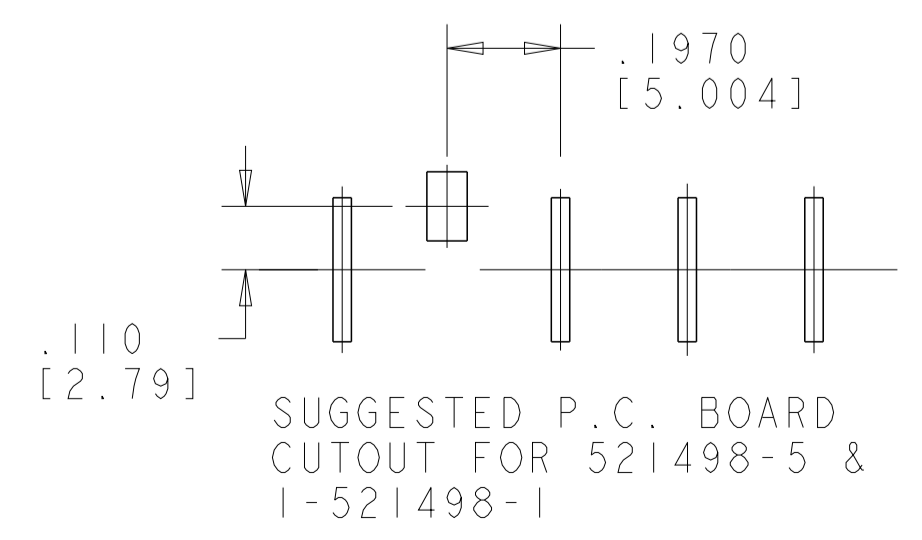
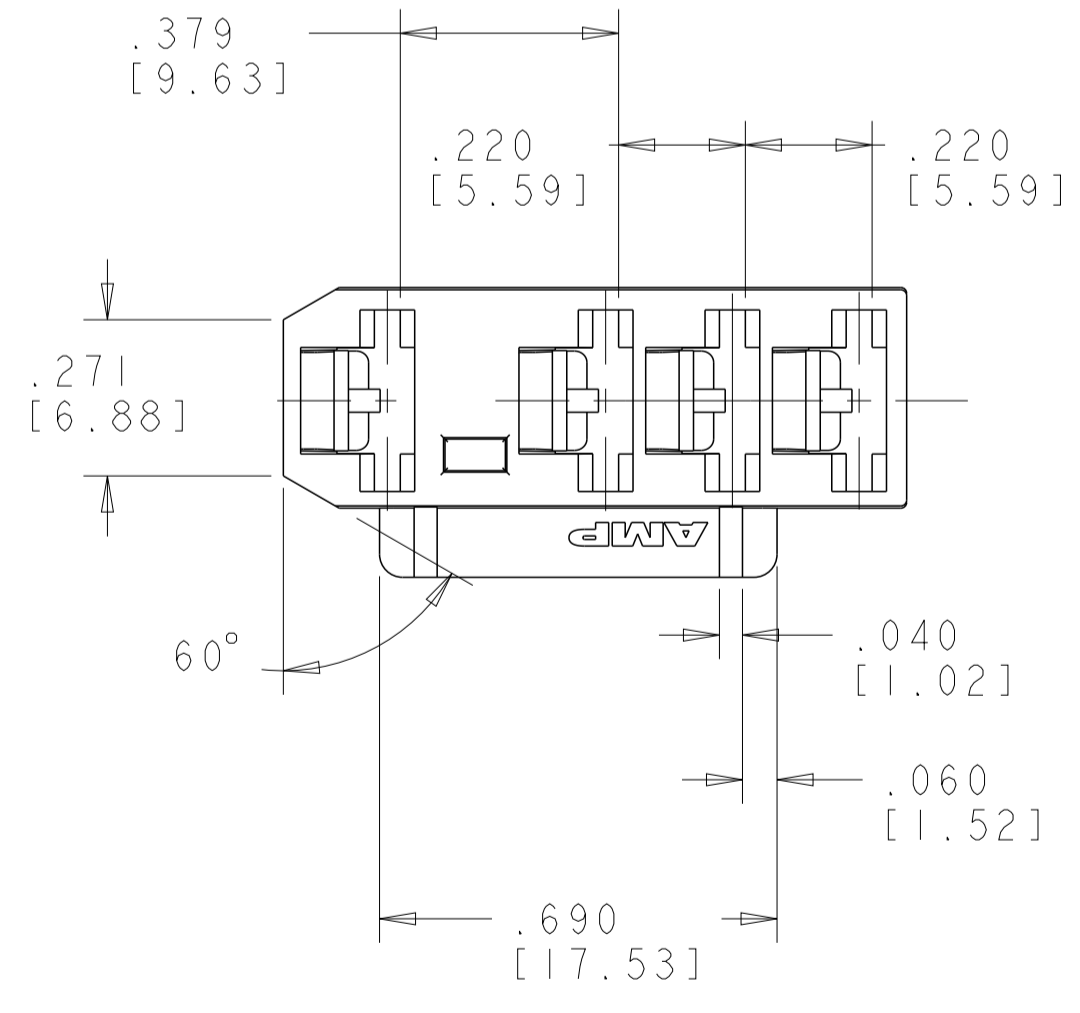
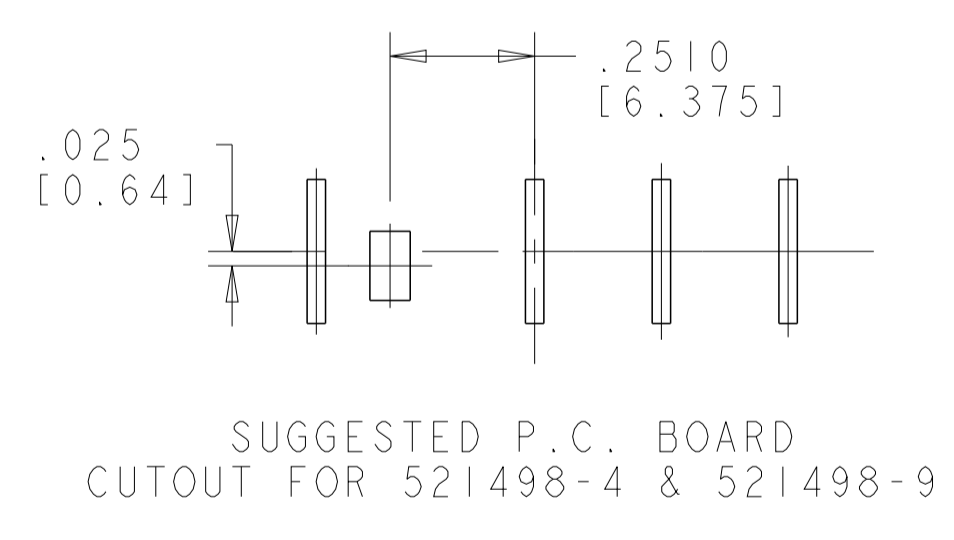
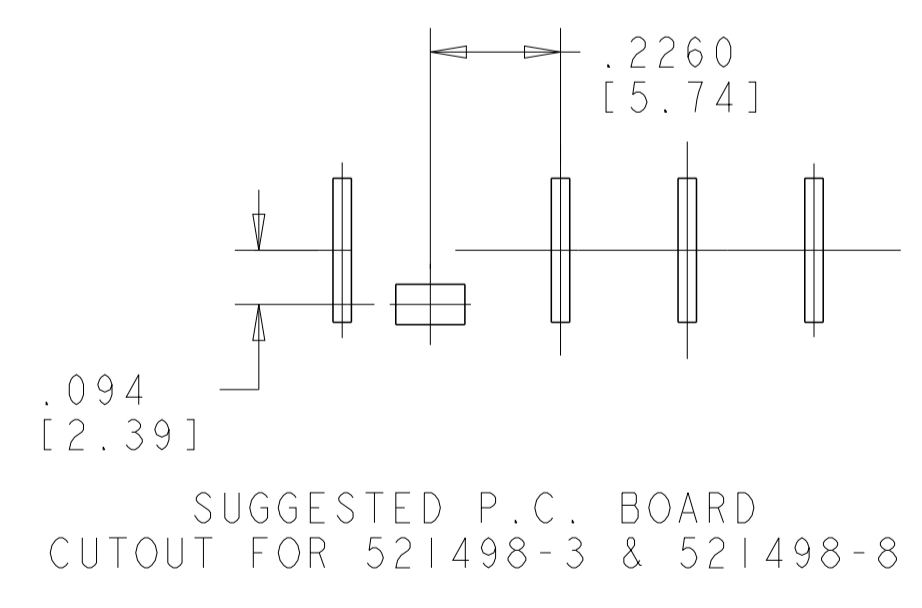
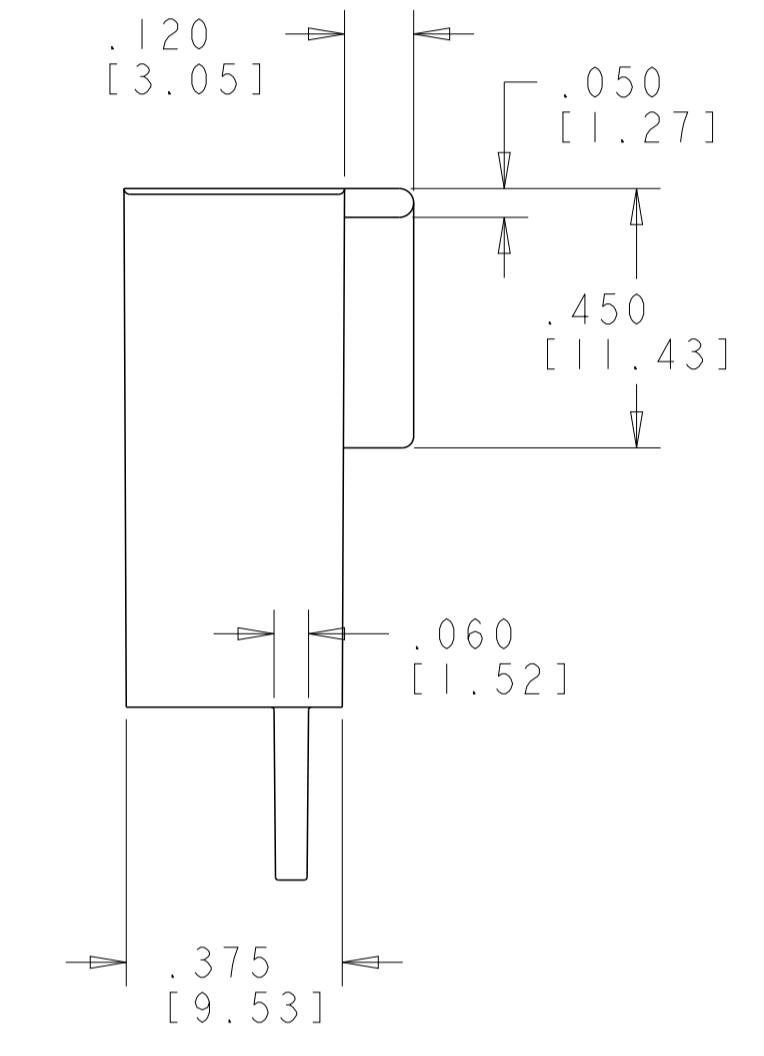
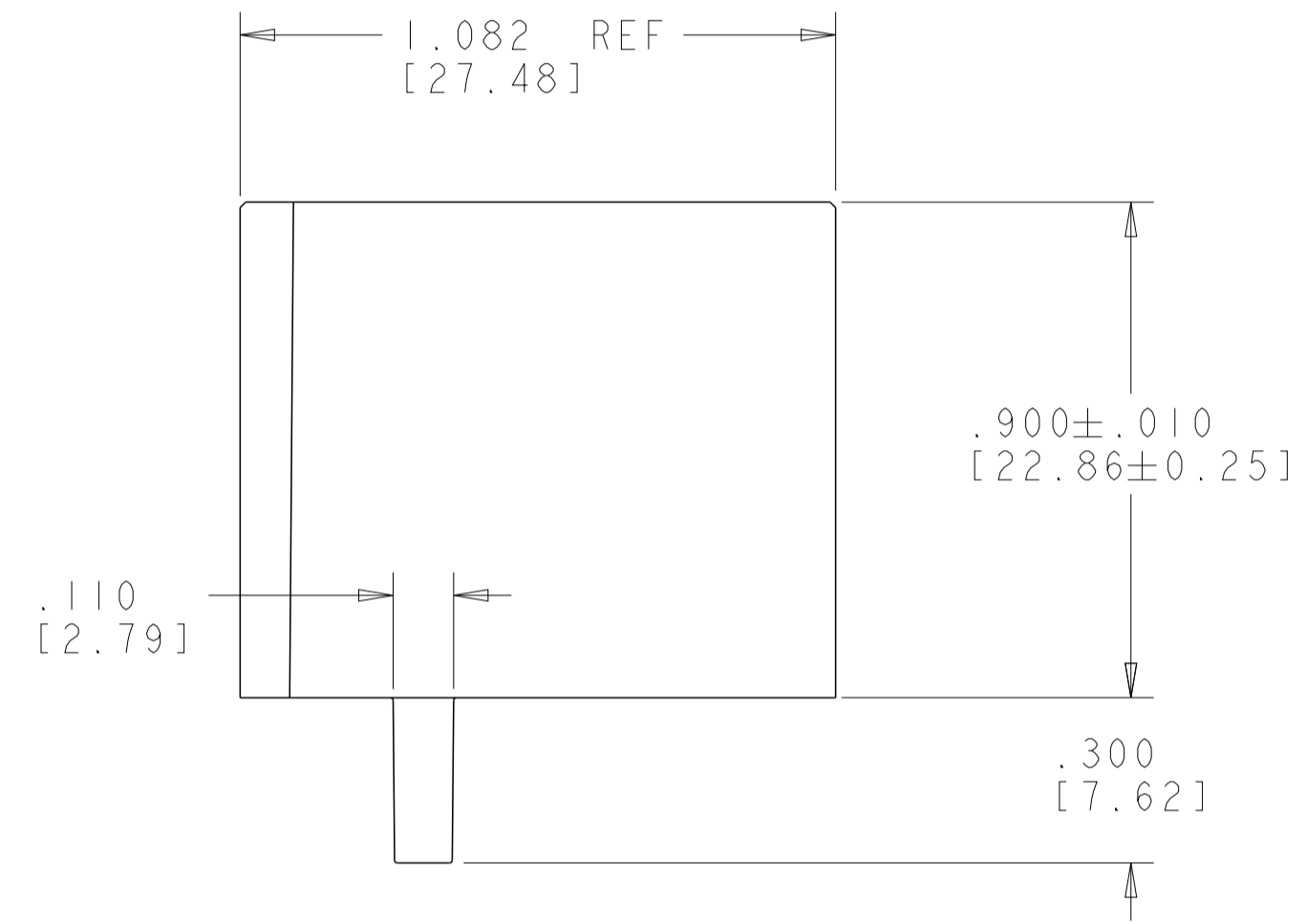
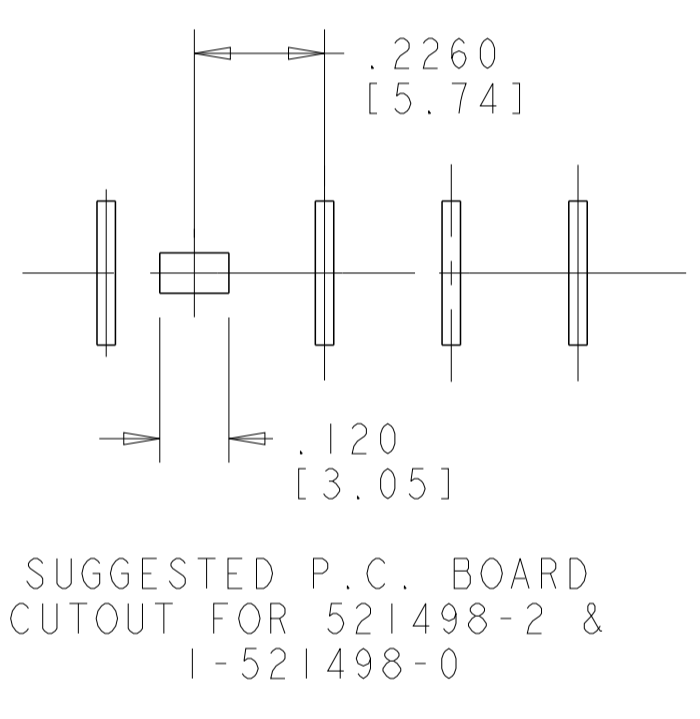
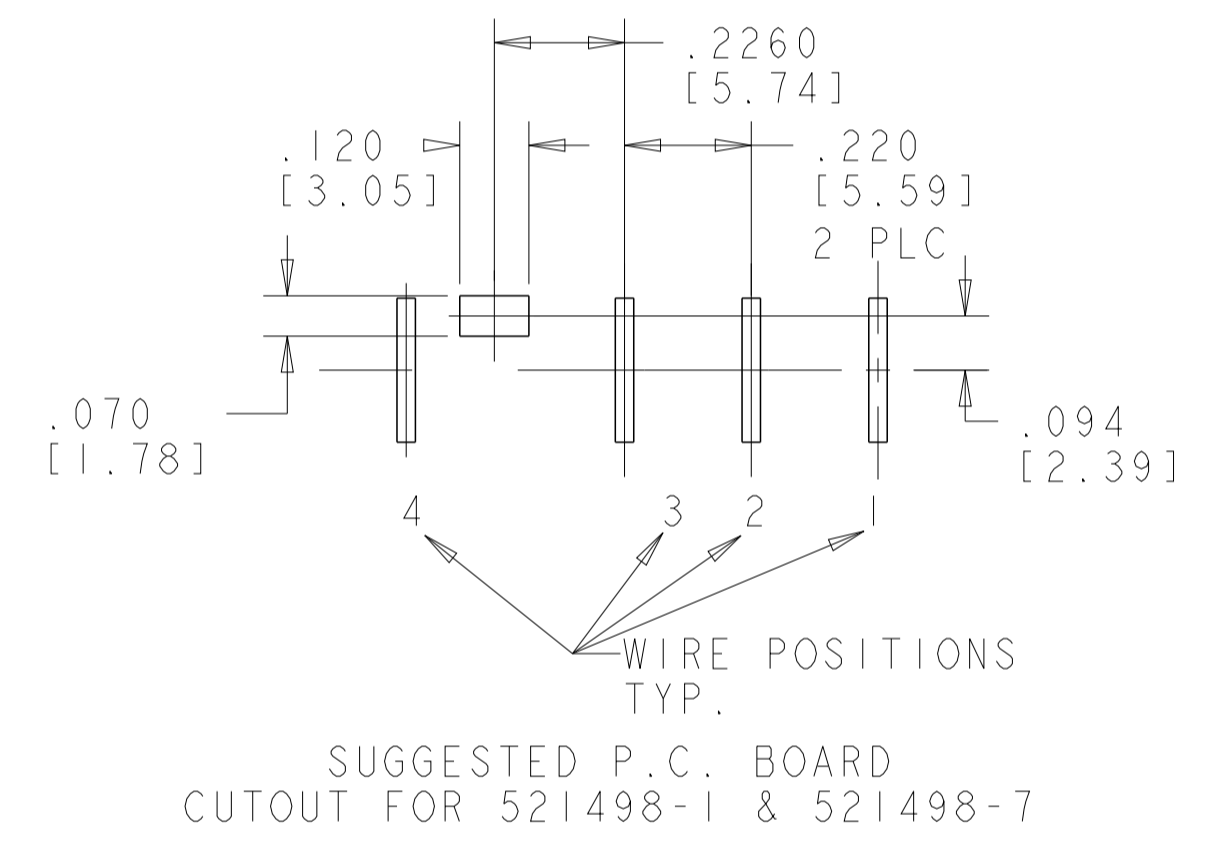


REVISIONS				
P	LTN	DESCRIPTION	DATE	APPD
N1		REVISED PER ECR-18-006473	18SEP2018	BDA DS



- FOR USE WITH TYCO ELECTRONICS 250 SERIES LOW INSERTION RECEPTACLES
- ALL SUGGESTED P.C. BOARD CUTOUTS ARE SHOWN FROM THE COMPONENT SIDE.
- V-0 LETTERS THIS LOCATION FOR -7 THRU -12 PARTS ONLY.
- BLUE COLOR MAY APPEAR GRAY
- 521498-7: BLUE PARTS MAY APPEAR MEDIUM BLUE TO LIGHT BLUE TO LIGHT GRAY IN COLOR AND MAY ALSO EXHIBIT A MARBLING EFFECT.
- 521498-8: YELLOW PARTS MAY APPEAR LIGHT YELLOW TO LIGHT BEIGE IN COLOR AND MAY ALSO EXHIBIT A MARBLING EFFECT.
- 1-521498-0: GREEN PARTS MAY APPEAR MEDIUM GREEN TO VERY LIGHT GREEN (MINT) IN COLOR AND MAY ALSO EXHIBIT A MARBLING EFFECT.
- 1-521498-2: RED PARTS MAY APPEAR DARK PINK, MEDIUM PINK, OR LIGHT PINK IN COLOR AND MAY ALSO EXHIBIT A MARBLING EFFECT.
- OBSELETE PARTS
- PARTS MAY APPEAR MEDIUM COLORED TO LIGHT COLORED AND EXHIBIT A MARBLING EFFECT.



△ SUPERSEDED BY 2-521498-2

SUPERSEDED

BLACK	NYLON V0 BLACK	2-521498-9
YELLOW	NYLON V0 YELLOW	2-521498-8
BLUE	NYLON V0 BLUE	2-521498-7
RED	NYLON V0 RED	2-521498-2
GREEN	NYLON V0 GREEN	2-521498-0
RED	NYLON, V-0	+521498-2
WHITE	NYLON, V-0	+521498-1
GREEN	NYLON, V-0	+521498-0
BLACK	NYLON, V-0	-521498-9
YELLOW	NYLON, V-0	-521498-8
BLUE	NYLON, V-0	-521498-7
RED	NYLON, V-2	-521498-6
WHITE	NYLON, V-2	521498-5
BLACK	NYLON, V-2	521498-4
YELLOW	NYLON, V-2	521498-3
GREEN	NYLON, V-2	521498-2
BLUE	NYLON, V-2	521498-1
COLOR	MATERIAL	PART NUMBER

THIS DRAWING IS A CONTROLLED DOCUMENT.

OWN: R. FLAIG 01OCT2002
 CHK: P. DESANTIS 01OCT2002
 APPD: P. DESANTIS 01OCT2002

DIMENSIONS: INCHES(mm)
 TOLERANCES UNLESS OTHERWISE SPECIFIED:
 0 PLC ±.
 1 PLC ±.
 2 PLC ±.
 3 PLC ±.005(0.13)
 4 PLC ±.
 ANGLES ±1°
 FINISH

APPLICATION SPEC: -
 WEIGHT: -
 CUSTOMER DRAWING

NAME: HOUSING, RECEPTACLE FASTON, .250 [6.35] SERIES
 SIZE: A1
 CAGE CODE: 100779
 DRAWING NO: 521498
 SCALE: 3:1
 SHEET 1 OF 1
 REV: NI

RESTRICTED TO