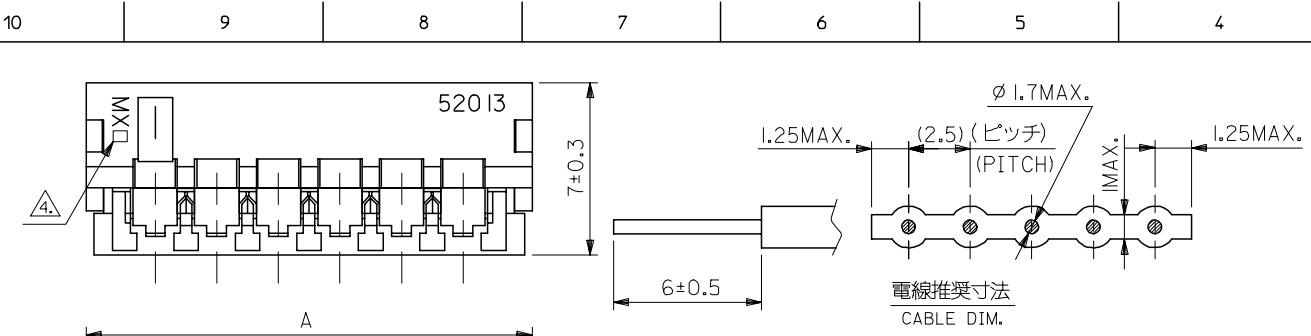
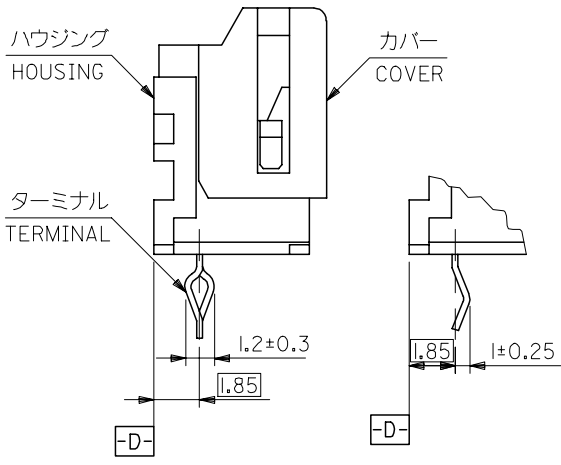
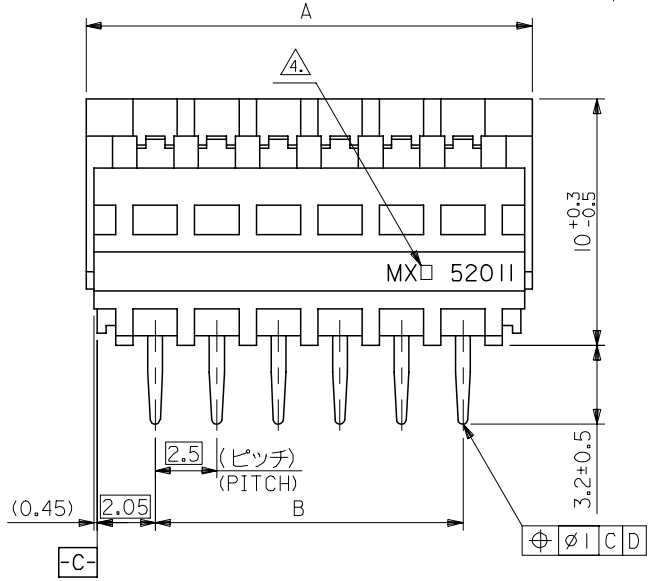


注記) NOTES

1. 材料 MATERIAL
ハウジング&カバー: PBTP
(15%&30%GF) UL94V-0
HOUSING & COVER: PBTP(15%&30%GF)UL94V-0
ターミナル: リン青銅, 錫メッキ (t=0.254)
TERMINAL: PHOS BRONZE, PRE-TIN PLATE (t=0.254)
2. 適用電線 ACCEPTS CABLE
2.5mmピッチ リボンケーブル
2.5mm PITCH RIBBON CABLE
芯線: AWG#24~#26, 錫コート線
TOP COATED WIRE(AWG#24-#26)
3. 2極のみテール部のキックは同一方向 (基準面 **-D-** (側が凹))
SAME DIRECTION KINK FOR ONLY 2CKT.
4. 生産国 (トレードマーク): 日本 (MXJ-大和, MXH-塩谷, MXO-岡山, MXY-静岡)
台湾 (MXT), シンガポール (MXS), マレーシア (MXL)
PLACE OF MANUFACTURE (TRADE-MARK)
JAPAN (MXJ-YAMATO, MXH-SHIOYA, MXO-OKAYAMA, MXY-SHIZUOKA), TAIWAN (MXT), SINGAPORE (MXS), MALAYSIA (MXL)
5. 溶剤等による本製品の洗浄は不可。
SOLVENT CLEANING MUST NOT APPLY TO THIS PRODUCTS.

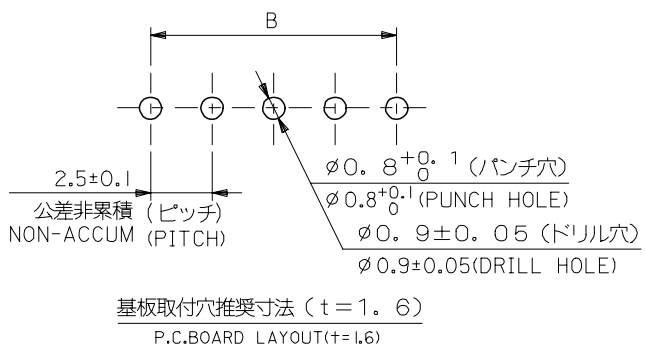


電線推奨寸法
CABLE DIM.



2極のキック形状
KINK FORM FOR 2 CIRCUIT

27.5	33.1	52011-1210	I2
25	30.6	↑ -1110	11
22.5	28.1	-1010	10
20	25.6	-0910	9
17.5	23.1	-0810	8
15	20.6	-0710	7
12.5	18.1	-0610	6
10	15.6	-0510	5
7.5	13.1	-0410	4
5	10.6	↓ -0310	3
2.5	8.1	52011-0210	2
B	A	MATERIAL NO.	CIRCUIT



REVISED EC NO: J2006-2686 DRWNTAKEMOTO 2006/04/25 CHKD: TANAKA 2006/04/26 APPR: NUKITA 2006/04/28	GENERAL TOLERANCES (UNLESS SPECIFIED)		DIMENSION STYLE MM ONLY		SCALE 5:1	DESIGN UNITS METRIC	THIRD ANGLE PROJECTION
	10 UNDER	±0.2	DRAWN BY KKOHAMA	DATE 2000/04/04	TITLE 2.5 WIRE TRAP CONN.(ST.)		
	10 OVER 30 UNDER	±0.25	CHECKED BY SKUNISHI	DATE 2000/04/04	MATERIAL NO. SEE CHART		
	30 OVER	±0.3	APPROVED BY MFUKUSHIMA	DATE 2000/04/04	DOCUMENT NO. SD-52011-**10		
	ANGULAR	±3 °	MATERIAL NO. SEE CHART		SHEET NO. 1 OF 1		
DRAFT WHERE APPLICABLE MUST REMAIN WITHIN DIMENSIONS		SIZE A3		THIS DRAWING CONTAINS INFORMATION THAT IS PROPRIETARY TO MOLEX INCORPORATED AND SHOULD NOT BE USED WITHOUT WRITTEN PERMISSION			