

5205980-4 ✓ ACTIVE

AMPLIMITE | AMPLIMITE Kit

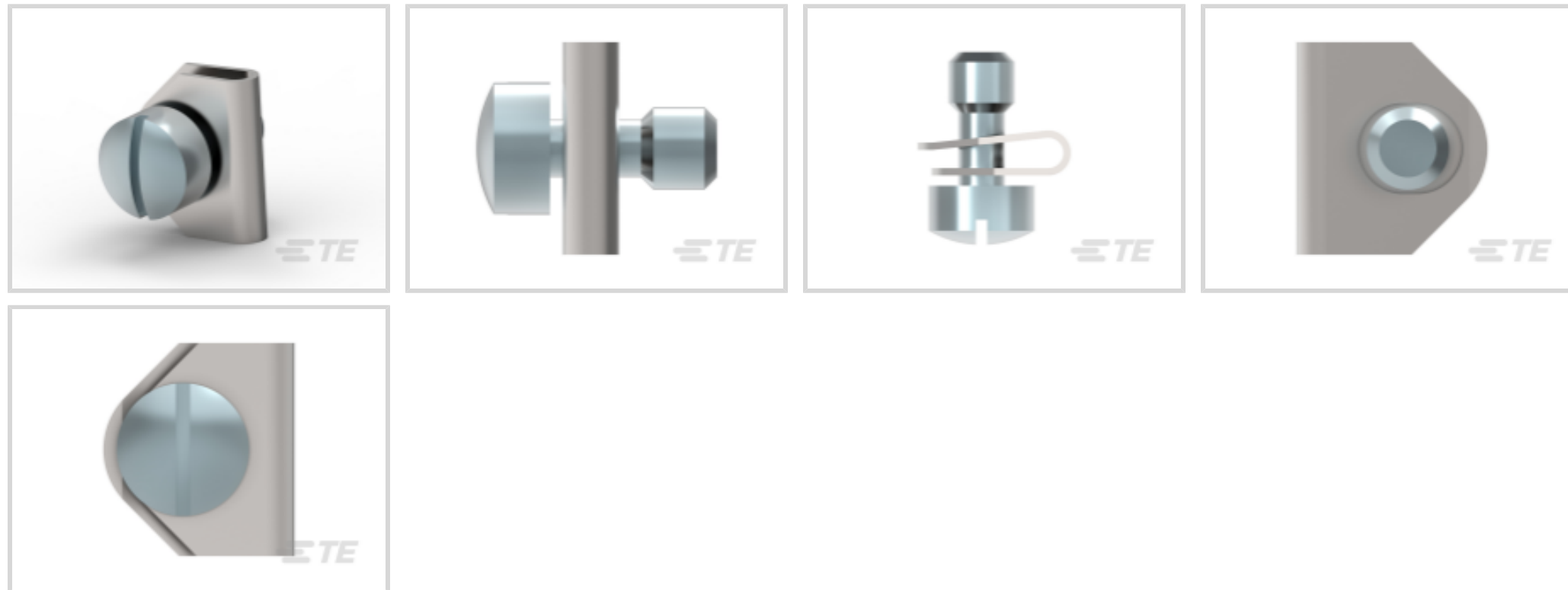
TE Internal #: 5205980-4

D-Sub Locking & Mounting, Screw Retainer Kit, Screw Length 5.59 mm [.22 in], AMPLIMITE Kit

[View on TE.com >](#)



Connectors > D-Shaped Connectors > D-Sub Accessories > Locking & Mounting



D-Shaped Connector Accessories: **Screw Retainer Kit**

Screw Length: 5.59 mm [.22 in]

## Features

### Product Type Features

Product Type	Accessory
D-Shaped Connector Accessories	Screw Retainer Kit

### Mechanical Attachment

Screw Plating Material	Zinc
Screw Material	Carbon Steel
Screw Finish	Clear Chromate
Screw & Hole Thread Size	4-40
Screw Length	5.59 mm [.22 in]

### Operation/Application

For Use With	Metal Shell Connectors (HDE and HDP)
--------------	--------------------------------------

### Packaging Features

Packaging Quantity	1
Packaging Method	Bag

## Product Compliance

[For compliance documentation, visit the product page on TE.com>](#)

EU RoHS Directive 2011/65/EU	Compliant with Exemptions
EU ELV Directive 2000/53/EC	Compliant with Exemptions
China RoHS 2 Directive MIIT Order No 32, 2016	Restricted Materials Above Threshold
EU REACH Regulation (EC) No. 1907/2006	<p>Current ECHA Candidate List: JUNE 2022 (224)</p> <p>Candidate List Declared Against: JAN 2022 (223)</p> <p>SVHC &gt; Threshold:</p> <p>Pb (.35% in Component Part)</p> <p><b>Article Safe Usage Statements:</b> Do not eat, drink or smoke when using this product. Wash thoroughly after handling. Recycle if possible and dispose of the article by following all applicable governmental regulations relevant to your geographic location.</p>
Halogen Content	Low Halogen - Br, Cl, F, I < 900 ppm per homogenous material. Also BFR/CFR/PVC Free
Solder Process Capability	Not applicable for solder process capability

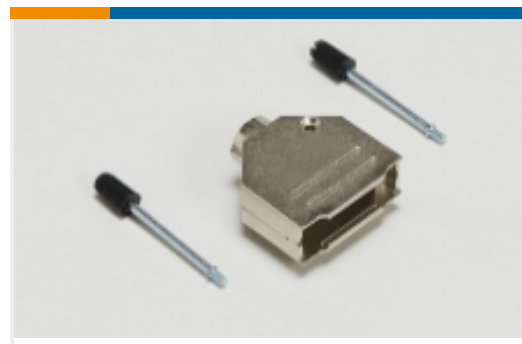
#### Product Compliance Disclaimer

This information is provided based on reasonable inquiry of our suppliers and represents our current actual knowledge based on the information they provided. This information is subject to change. The part numbers that TE has identified as EU RoHS compliant have a maximum concentration of 0.1% by weight in homogenous materials for lead, hexavalent chromium, mercury, PBB, PBDE, DBP, BBP, DEHP, DIBP, and 0.01% for cadmium, or qualify for an exemption to these limits as defined in the Annexes of Directive 2011/65/EU (RoHS2). Finished electrical and electronic equipment products will be CE marked as required by Directive 2011/65/EU. Components may not be CE marked. Additionally, the part numbers that TE has identified as EU ELV compliant have a maximum concentration of 0.1% by weight in homogenous materials for lead, hexavalent chromium, and mercury, and 0.01% for cadmium, or qualify for an exemption to these limits as defined in the Annexes of Directive 2000/53/EC (ELV). Regarding the REACH Regulation, the information TE provides on SVHC in articles for this part number is based on the latest European Chemicals Agency (ECHA) 'Guidance on requirements for substances in articles' posted at this URL: <https://echa.europa.eu/guidance-documents/guidance-on-reach>

## Compatible Parts



Also in the Series | **AMPLIMITE Kit**



D-Sub Backshells &amp; Clamps(135)



D-Sub Contact Accessories(1)

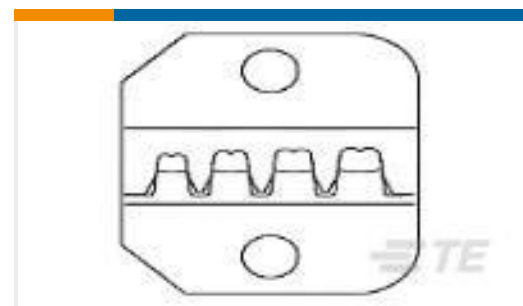


D-Sub Covers(3)



D-Sub Locking &amp; Mounting(122)

## Customers Also Bought

TE Part #925370-5  
MOD IV REC HSG 2X5P.TE Part #925370-3  
MOD IV REC HSG, 2X3PTE Part #2-1879213-0  
CPF 0402 41R2 0.1% 25PPM 1K RLTE Part #2-1879214-0  
CPF 0402 511R 0.1% 25PPM 1K RLTE Part #4-1393249-5  
W58-XC4C12A-3=W58TE Part #1424050-1  
PREMIUM SDE DIE BNCTE Part #1766196-1  
CONTACT,PIN,#12

## Documents

### Product Drawings

#### SCREW RETAINER KIT

English

### CAD Files

#### Customer View Model

[ENG\\_CVM\\_CVM\\_5205980-4\\_O.2d\\_dxf.zip](#)

English

#### 3D PDF

3D

#### Customer View Model

[ENG\\_CVM\\_CVM\\_5205980-4\\_O.3d\\_igs.zip](#)

English

#### Customer View Model

[ENG\\_CVM\\_CVM\\_5205980-4\\_O.3d\\_stp.zip](#)

English

By downloading the CAD file I accept and agree to the [Terms and Conditions](#) of use.



---

### Datasheets & Catalog Pages

[AMPLIMITE Subminiature D Connectors - Cable Connectors](#)

English

[AMPLIMITE Cable Connectors and Shielding Hardware Kits QRG](#)

English

---

### Product Environmental Compliance

[MD\\_5205980-4\\_0404201830\\_dmtec](#)

English

[MD\\_5205980-4\\_0404201830\\_dmtec](#)

English

---

### Instruction Sheets

[Instruction Sheet \(U.S.\)](#)

English