

520971-4 ✓ ACTIVE

Ultra-Pod | Ultra-Pod 250

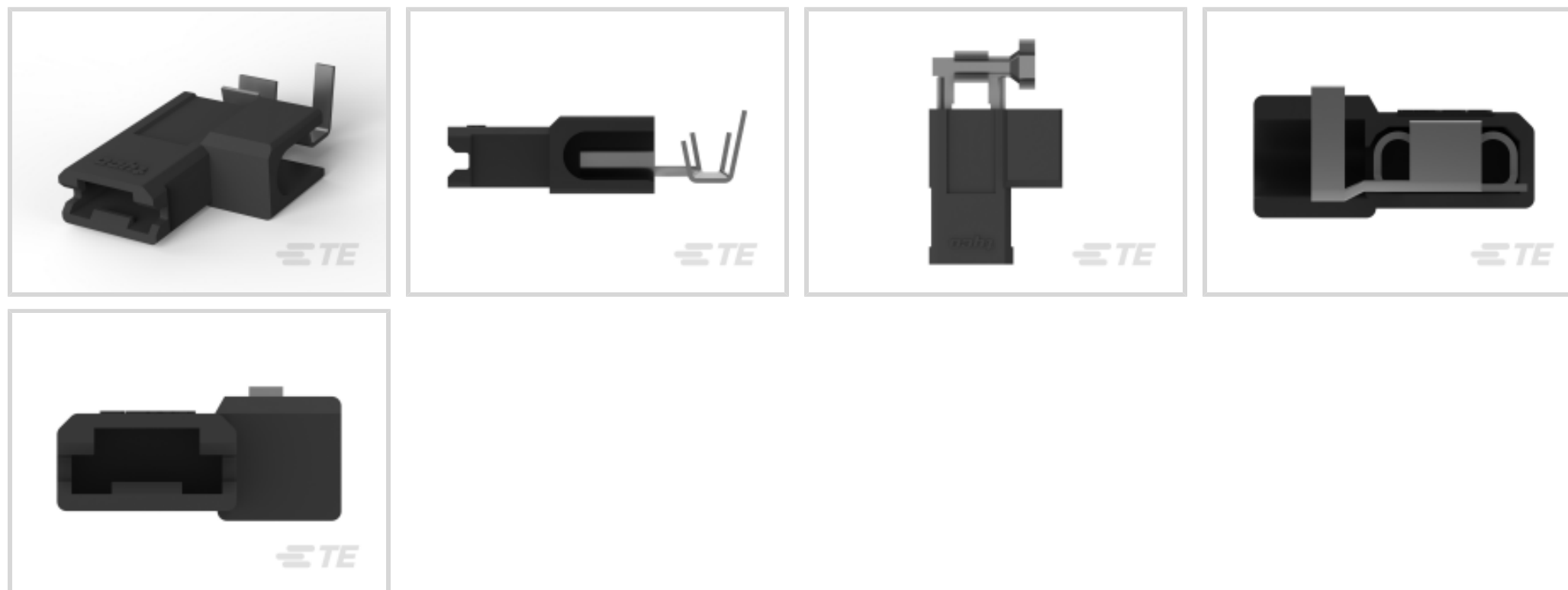
TE Internal #: 520971-4

Quick Disconnects, Receptacle, 18 – 14 AWG Wire Size, .82 – 2.08 mm² Wire Size, Mating Tab Width .25 in [6.35 mm], Flag, Brass, Ultra-Pod 250

[View on TE.com >](#)



Terminals & Splices > Quick Disconnects > ULTRA POD: Flag, Receptacle Assembly, Tin Plated, .250 inch



Quick Disconnect Terminal Type: **Receptacle**

Wire Size: .82 – 2.08 mm²

Mating Tab Width: 6.35 mm [.25 in]

Mating Tab Thickness: .81 mm [.032 in]

[All ULTRA POD: Flag, Receptacle Assembly, Tin Plated, .250 inch \(9\)](#)

Features

Product Type Features

Terminates To	Wire & Cable
Wire/Cable Type	Regular Wire
Insertion Force	Normal
Sealable	No

Configuration Features

Connection Capacity	Single
---------------------	--------

Electrical Characteristics

Voltage (Max)	600 V
---------------	-------

Body Features

Insulation Material	Nylon
---------------------	-------

Contact Features

Quick Disconnect Terminal Type	Receptacle
Mating Tab Width	6.35 mm[.25 in]



Mating Tab Thickness	.81 mm[.032 in]
Terminal Orientation	Flag
Contact Base Material	Brass
Terminal Plating Material	Tin
Crimp Type	Tab-Lok
Barrel Type	Open

Mechanical Attachment

Wire Insulation Support	With
-------------------------	------

Dimensions

Accepts Wire Insulation Diameter Range	2.79 – 4.06 mm[.11 – .16 in]
Receptacle Terminal Stock Thickness	.41 mm[.016 in]
Overall Length	22.99 mm[.905 in]
Wire Size	.82 – 2.08 mm ²

Usage Conditions

Insulation Option	Uninsulated
Operating Temperature Range	-40 – 150 °C[-40 – 302 °F]

Industry Standards

UL File Number	E66717
UL Flammability Rating	UL 94V-2
CSA Certified	Yes
UL Rating	Listed

Packaging Features

Packaging Quantity	1800
Packaging Method	Strip/Reel

Other

Barrel Color	Black
--------------	-------

Product Compliance

[For compliance documentation, visit the product page on TE.com>](#)

EU RoHS Directive 2011/65/EU	Compliant
EU ELV Directive 2000/53/EC	Compliant
China RoHS 2 Directive MIIT Order No 32, 2016	No Restricted Materials Above Threshold



EU REACH Regulation (EC) No. 1907/2006

Current ECHA Candidate List: JUNE 2022 (224)

Candidate List Declared Against: JAN 2020 (205)

SVHC > Threshold:
Not Yet Reviewed

Halogen Content

Not Low Halogen - contains Br or Cl > 900 ppm.

Solder Process Capability

Not applicable for solder process capability

Product Compliance Disclaimer

This information is provided based on reasonable inquiry of our suppliers and represents our current actual knowledge based on the information they provided. This information is subject to change. The part numbers that TE has identified as EU RoHS compliant have a maximum concentration of 0.1% by weight in homogenous materials for lead, hexavalent chromium, mercury, PBB, PBDE, DBP, BBP, DEHP, DIBP, and 0.01% for cadmium, or qualify for an exemption to these limits as defined in the Annexes of Directive 2011/65/EU (RoHS2). Finished electrical and electronic equipment products will be CE marked as required by Directive 2011/65/EU. Components may not be CE marked. Additionally, the part numbers that TE has identified as EU ELV compliant have a maximum concentration of 0.1% by weight in homogenous materials for lead, hexavalent chromium, and mercury, and 0.01% for cadmium, or qualify for an exemption to these limits as defined in the Annexes of Directive 2000/53/EC (ELV). Regarding the REACH Regulation, the information TE provides on SVHC in articles for this part number is based on the latest European Chemicals Agency (ECHA) 'Guidance on requirements for substances in articles' posted at this URL: <https://echa.europa.eu/guidance-documents/guidance-on-reach>

Compatible Parts



TE Part # CAT-UL8-25021
ULTRA POD: Flag, Receptacle Assembly, Tin Plated, .250 inch



TE Part # 1969109-1
ULTRA-POD 250 ASSY REC 18-14 AWG BR



TE Part # 314917-1
EXT TL 250 U-POD STR IS9726



TE Part # 521411-1
ULTRA-POD 250 ASY REC 22-18 AWG BR



TE Part # 1852892-1
MACH,U-POD FLAG EAPR110F1800 AOM/CLS



TE Part # 1852892-3
MACH,U-POD FLAG EAPR110F1800 BENCH G



TE Part # 1852892-7
MACH,U-POD FLAG EAPR110F1800 KOMAX




TE Part # 521050-1
ULTRA-POD 250 ASSEMBLY REC 22-18 AWG BR



TE Part # 521087-1
ULTRA-POD 250 ASSY REC 18-14 AWG NPST




TE Part # 521716-3
250 U-POD FLAG RECP,18-14 BRV0

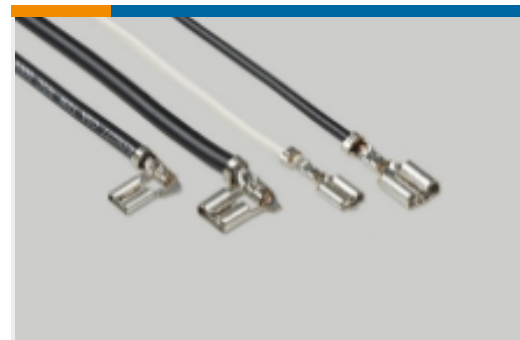


TE Part # 1852892-2
MACH,U-POD FLAG EAPR110F1800 BENCH K

Also in the Series | Ultra-Pod 250



Insertion & Extraction Tools(2)



Quick Disconnects(54)

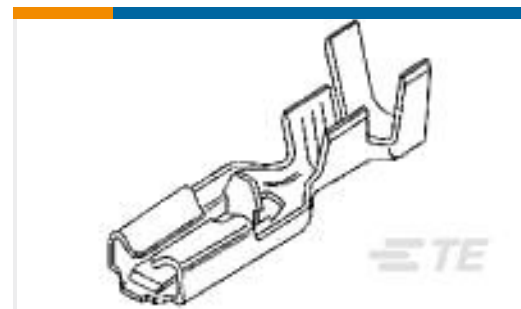
Customers Also Bought



TE Part #520971-2
ULTRA-POD 250 ASY REC 18-14 AWG TPBR



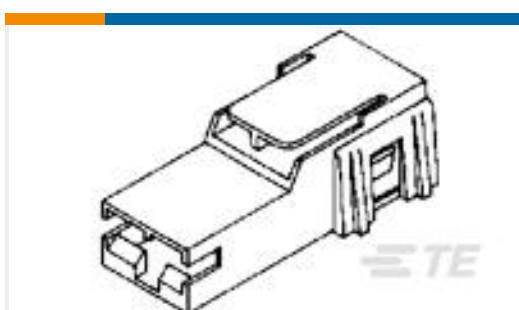
TE Part #35668
TERMINAL,SOLIS R 4 1/2



TE Part #63239-1
POSITIVE LOCK 250 REC 12-10 AWG TPBR



TE Part #1909782-1
BOARD TO WIRE WAFER 1.2MM TOP ENTRY



TE Part #520961-1
PL 250 HOUSING BLACK NYLON



TE Part #1909784-1
WIRE TO BOARD TERMINAL 1.2MM TOP ENTRY



TE Part #1909783-1
WIRE TO BOARD HOUSING 1.2MM TOP ENTRY



TE Part #521213-1
ULTRA-POD 250 ASSY REC 18-14 AWG BR



TE Part #521217-2
ULTRA-POD 250 ASSY TAB 18-14 AWG TPBR



TE Part #6646158-1
CONNECTOR, PIN, DOMINO



Documents

Product Drawings

[ULTRA-POD 250 ASY REC 18-14 AWG TPBR](#)

English

CAD Files

[3D PDF](#)

3D

Customer View Model

[ENG_CVM_CVM_520971-4_T.2d_dxf.zip](#)

English

Customer View Model

[ENG_CVM_CVM_520971-4_T.3d_igs.zip](#)

English

Customer View Model

[ENG_CVM_CVM_520971-4_T.3d_stp.zip](#)

English

By downloading the CAD file I accept and agree to the [Terms and Conditions](#) of use.

Datasheets & Catalog Pages

[Ultra-Fast and Ultra Fast Plus](#)

English

Product Specifications

[Application Specification](#)

English

Product Environmental Compliance

[TE Material Declaration](#)

English

Agency Approvals

[UL Report](#)

English