

FEATURES AND SPECIFICATIONS

Features and Benefits

- Sizes 2 to 15 circuits
- IDT provides secure and cost-effective termination

Reference Information

Packaging: Bag
 UL File No.: E29179
 CSA File No.: LR19980
 Mates With: [53324](#), [53325](#), [53358](#) and [53313](#) (with [51094](#) clip)
 Use With: [51094](#) clip
 Designed In: Millimeters

Electrical

Voltage: 125V
 Current:

AWG	26	28
Amperes	1.5	1.0

Contact Resistance: 20mΩ max.
 Dielectric Withstanding Voltage: 500V
 Insulation Resistance: 1000 MΩ min.

Physical

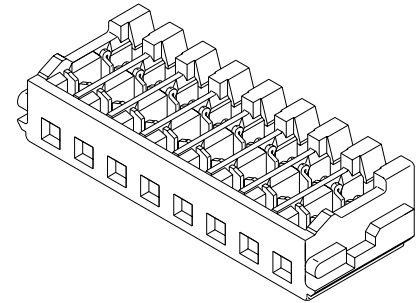
Housing: Glass-filled 6/6 nylon, UL 94V-0
 Contact: Phosphor Bronze
 Plating: Tin
 Wire Range: 26 to 28 AWG
 Insulation Range: 0.85 to 1.05mm dia.
 Operating Temperature: -40 to +105°C



2.00mm (.079") Pitch Mi II System Wire-to-Board Receptacle

52484

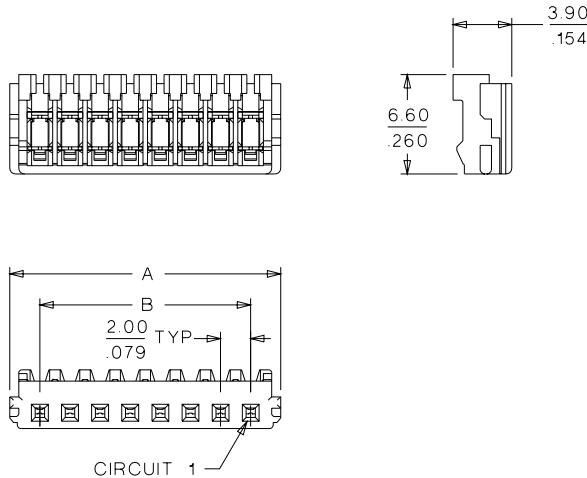
Single Row IDT



B

2.00 to 2.50mm (.079 to .098") Pitch

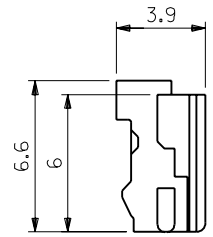
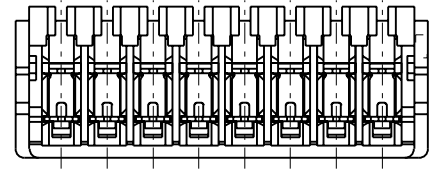
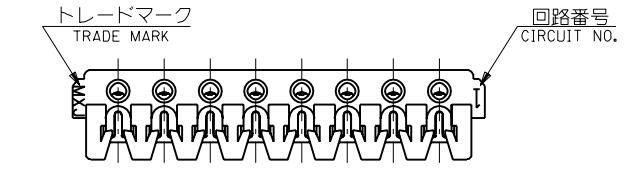
CATALOG DRAWING (FOR REFERENCE ONLY)



ORDERING INFORMATION AND DIMENSIONS

Circuits	Order No.	Dimension	
		A	B
2	52484-0210	6.00 (.236)	2.00 (.079)
3	52484-0310	8.00 (.315)	4.00 (.157)
4	52484-0410	10.00 (.394)	6.00 (.236)
5	52484-0510	12.00 (.472)	8.00 (.315)
6	52484-0610	14.00 (.551)	10.00 (.394)
7	52484-0710	16.00 (.630)	12.00 (.472)
8	52484-0810	18.00 (.709)	14.00 (.551)
9	52484-0910	20.00 (.787)	16.00 (.630)
10	52484-1010	22.00 (.866)	18.00 (.709)
11	52484-1110	24.00 (.945)	20.00 (.787)
12	52484-1210	26.00 (1.024)	22.00 (.866)
13	52484-1310	28.00 (1.102)	24.00 (.945)
14	52484-1410	30.00 (1.181)	26.00 (1.024)
15	52484-1510	32.00 (1.260)	28.00 (1.102)

DWG. NO. SD-52484-008



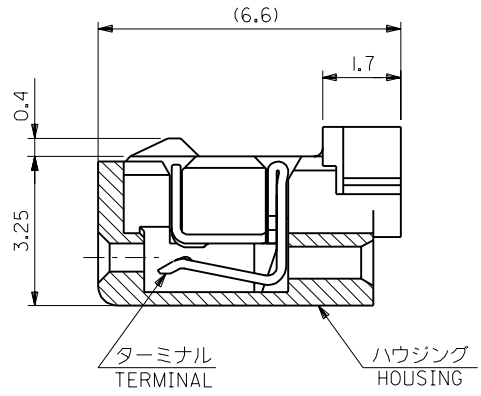
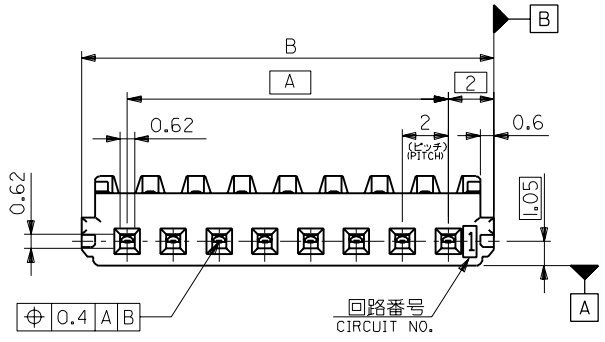
注記 NOTES

1. 嵌合相手: 53324-***0, 53325-***0, 53358-***0, 53401-***0
MATES WITH
2. 材質 MATERIAL
ハウジング: ガラス入り66ナイロン, UL94V-0, 色: 表参照
HOUSING: GLASS FILLED 66 NYLON, UL94V-0, COLOR: SEE CHART
ターミナル: りん青銅, 錫メッキ (t=0.2)
TERMINAL: PHOSPHOR BRONZE, PRE-TINNED (t=0.2)
3. 適合クリップ: 51094-***05
APPLICABLE CLIP



製品番号 MATERIAL NO.
52484-***
極数 CIRCUIT SIZE

ナチュラル(白) NATURAL(WHITE)	0
赤 RED	2
黄 YELLOW	3
青 BLUE	4



ターミナル装着状態図
FIGURE OF TERMINAL WHEN ASSEMBLED
(SCALE: 10-1)

32	28	52484-151*	15	52484-***1*
30	26	-141*	14	
28	24	-131*	13	
26	22	-121*	12	
24	20	-111*	11	
22	18	-101*	10	
20	16	-091*	9	
18	14	-081*	8	
16	12	-071*	7	
14	10	-061*	6	
12	8	-051*	5	52484-021*
10	6	-041*	4	
8	4	-031*	3	
6	2	52484-021*	2	
B	A	製品番号 MATERIAL NO.	極数 CIRCUIT	MODEL NO.

DO NOT SCALE DRAWING

EC NO. DRWN: CHK: APPR:	EC NO. DRWN: CHK: APPR:	EC NO. DRWN: CHK: APPR:	EC NO. DRWN: CHK: APPR:	O RELEASED EC No. JD2000-0703 DRWN: K. KOBAYASHI 00/05/07 CHK: J. MIYAZAWA 00/05/07 APPR: H. IKESUGI 00/05/07	DESCRIPTION	MATERIAL 材料	注参照 SEE NOTES	GENERAL TOLERANCES: (UNLESS SPECIFIED) 一般公差	SCALE 5-1	DESIGN UNITS <input checked="" type="checkbox"/> mm <input type="checkbox"/> INCH	THIRD ANGLE PROJECTION <input type="checkbox"/> mm INCH <input checked="" type="checkbox"/> mm ONLY	DIMENSIONS: <input type="checkbox"/> mm <input type="checkbox"/> INCH	SHT	REV
						FINISH 仕上り	注参照 SEE NOTES		10 UNDER 未満	+0.2				
WIRE RANGE 適用線径範囲	AWG #26-#28	ANGLE 角度	+3°	APPROVED BY & DATE <i>H. Miyazawa</i> 00/05/07	MATERIAL NO. DRAWING NO.	SHEET NO.								
INS. RANGE 被覆外径	φ1.05 MAX.	52484008.S01	SEE CHART	SD-52484-008			1 OF 1							

THIS DRAWING CONTAINS INFORMATION THAT IS PROPRIETARY TO MOLEX INCORPORATED AND SHOULD NOT BE USED WITHOUT WRITTEN PERMISSION.

A 52484008.S01