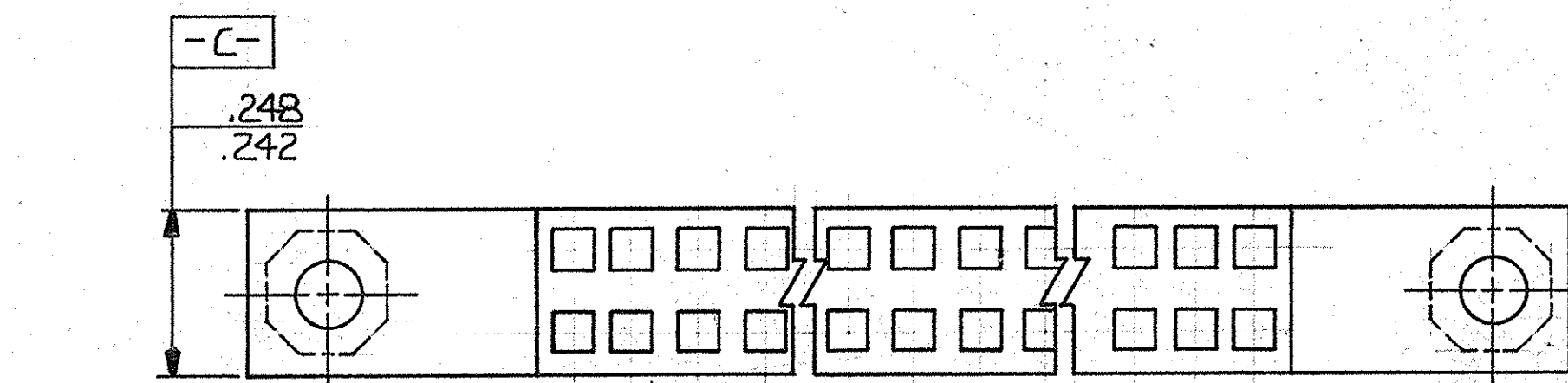
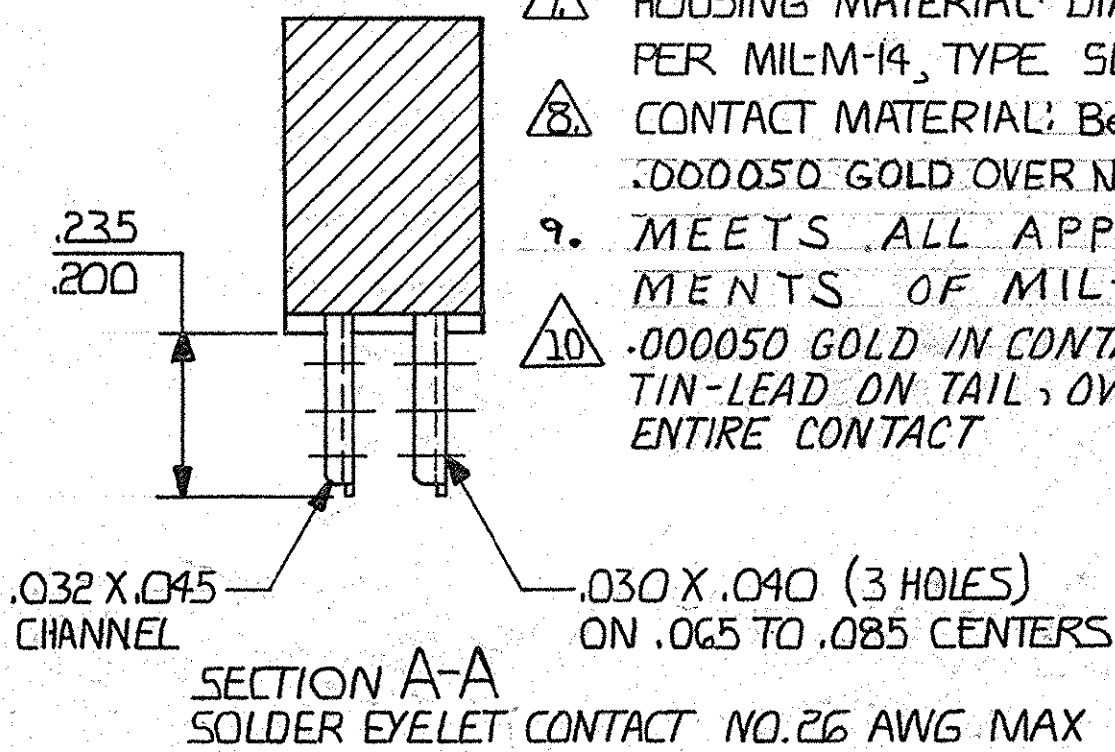
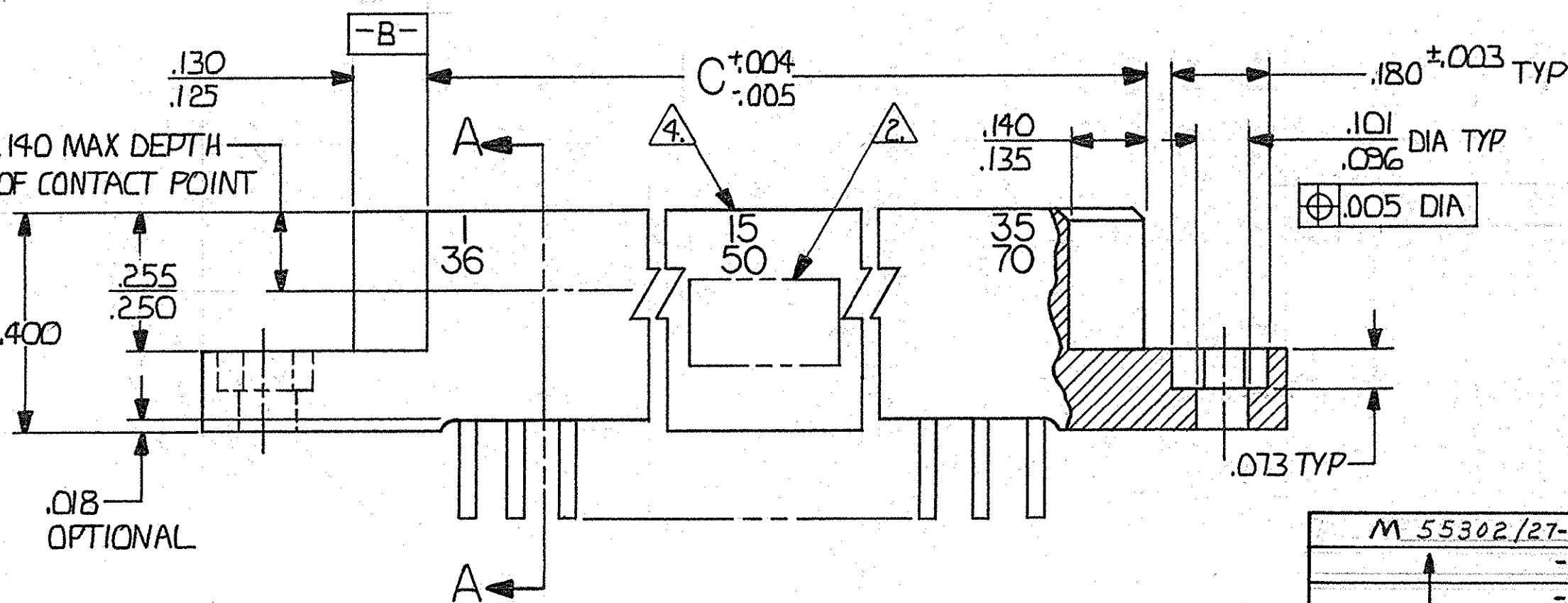
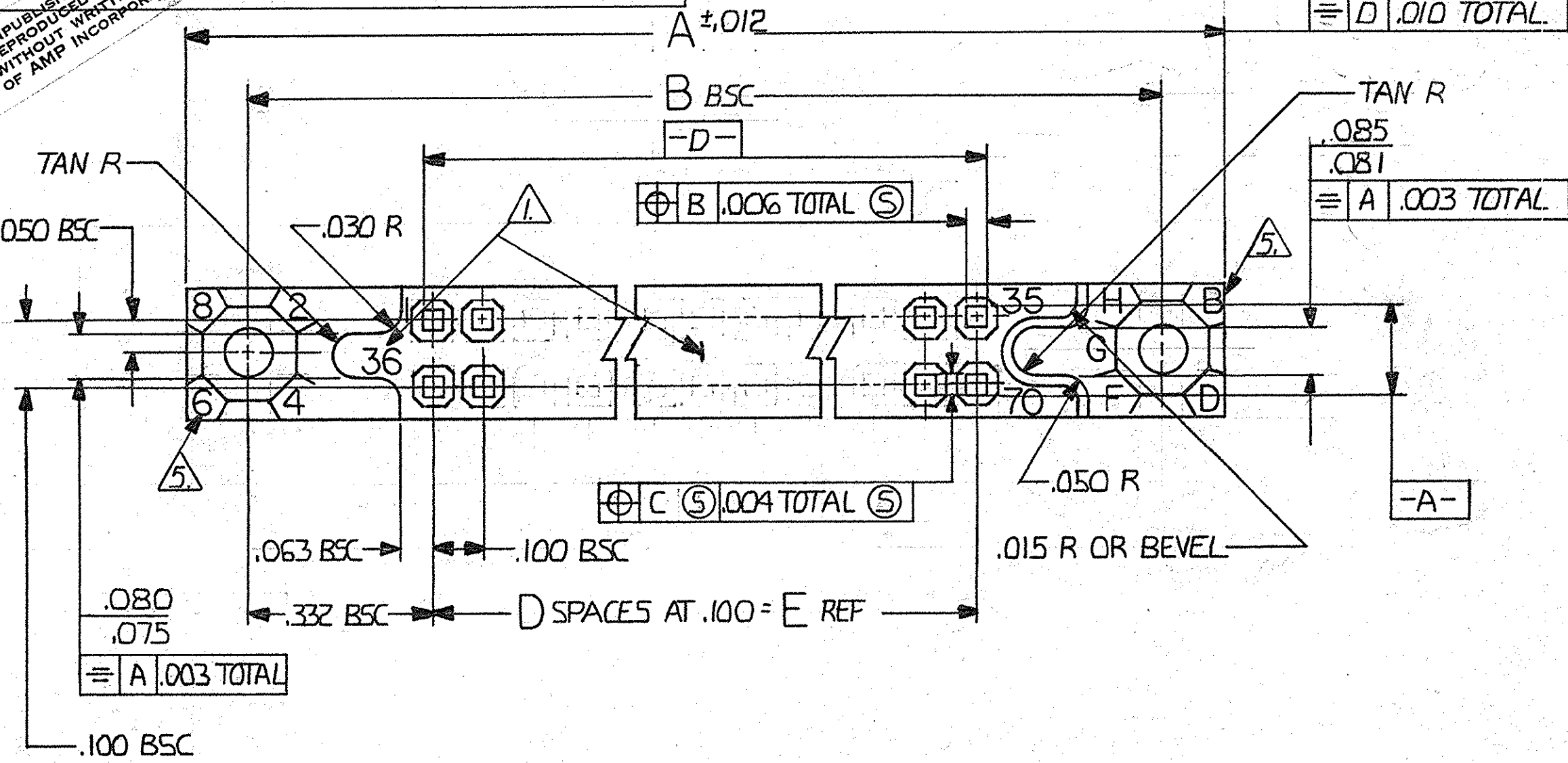


© COPYRIGHT 1976 BY AMP INCORPORATED, HARRISBURG, PA. ALL INTERESTS RESERVED. AMP INCORPORATED PRODUCTS COVERED BY U.S. AND FOREIGN PATENTS AND/OR PATENTS PENDING. UNPUBLISHED INFORMATION REPRODUCED WITHOUT PERMISSION OF AMP INCORPORATED.



REVISIONS					
P.	F.	ZONE	LTR	DESCRIPTION	DATE APPROVED
✓		D		RELEASED WAS 5087-940-1 RW	6-14-76
✓		01		REVISED PER ECN 4977 m.s.	11-16-76
✓		02		REVISED 5061 m.s.	2-2-77
✓		03		ADDED 4 P/N SHT. 2 6148 m.s.	7-30-79
✓		04		MIL. P/N'S ASSIGNED	4-80
✓		05		REVISED PER ECN 8248 m.s.	12-82 DJM
✓		A		REV. PER ECN AB-0535	db 12-84 EAM
✓		B		REV PER DF-2240	T.W. 10-89 ASH
✓		C		REV PER 6069-5859-96	TT 04-98
✓		D		REV PER ECO-05-013228	11-05 PY

- 1. NUMBERS AND LINES INDICATING EVERY FIVE CAVITIES MOLDED OR MARKED ON MATING FACE.
- 2. "AMP", 00779, PART NO., MILITARY PART NO. AND DATE CODE (SIDE OPTIONAL).
- 3. MUST MEET ALL APPLICABLE REQUIREMENTS OF MIL-C-55302.
- 4. NUMBERS INDICATING EVERY FIVE CAVITIES MOLDED OR MARKED ON SIDE.
- 5. KEY POSITION IDENTIFICATION MOLDED ON SURFACES SHOWN.
- 6. USE EXTERNAL KEY NUMBER 530341-1 MATES WITH PART NUMBER 530339.
- 7. HOUSING MATERIAL: DIALYL PHTHALATE, COLOR: BLUE PER MIL-M-14, TYPE SDG-F.
- 8. CONTACT MATERIAL: BeCu OR COPPER-NICKEL-SILICONE .000050 GOLD OVER NICKEL, TIN-LEAD ON TAILS
- 9. MEETS ALL APPLICABLE REQUIREMENTS OF MIL-C-55302.
- 10. .000050 GOLD IN CONTACT AREA, .000100 TIN-LEAD ON TAIL, OVER .000050 NICKEL ENTIRE CONTACT

M 55302/27-108	56	55	5.400	54	5.655	6.065	6.355	110	530758-9
-107	51	50	4.900	49	5.165	5.565	5.855	100	-8
-106	46	45	4.400	44	4.665	5.065	5.355	90	-7
-105	41	40	3.900	39	4.165	4.565	4.855	80	-6
-104	36	35	3.400	34	3.665	4.065	4.355	70	-5
-103	31	30	2.900	29	3.165	3.565	3.855	60	-4
-102	26	25	2.400	24	2.665	3.065	3.355	50	-3
-101	21	20	1.900	19	2.165	2.565	2.855	40	-2
M 55302/27-100	16	15	1.400	14	1.665	2.065	2.355	30	530758-1

UNLESS OTHERWISE SPECIFIED DIMENSIONS ARE IN INCHES. TOLERANCES ON: DECIMALS ±.005 ANGLES ±.005	CONTRACT NO		AMP INCORPORATED Harrisburg, Pa.	
	MATERIAL			
FINISH RCPT. CONTACT:	DR. Robert Weber 6-14-76	NAME BOX CONNECTOR RECEPTACLE ASSY, 100 GRID, EXTERNAL KEYING		
	CHY. [Signature] 6-15-76	SIZE CODE IDENT NO DRAWING NO		
APPD. R. Williams 6-16-76	APPD. R. Shawman 6-16-76	C 00779 530758		
DSGN APPD	OTHER APPD	SCALE 4-1 SHEET 1 OF 2		

© COPYRIGHT 19 BY AMP INCORPORATED, HARRISBURG, PA. ALL INTERNATIONAL RIGHTS RESERVED. AMP INCORPORATED PRODUCTS COVERED BY U. S. AND FOREIGN PATENTS AND/OR PATENTS PENDING.

REVISIONS			
P	F	ZONE	DATE
✓	✓	D	1-530758-3
			DESCRIPTION
			APPROVED

(SEE SHEET 1 OF 2)

M55302/27-197	71	70 140	6.900	69	7.165	7.565	7.855	140	1-530758-3
M55302/27-196	68	67 134	6.600	66	6.865	7.265	7.555	134	1-530758-2
M55302/27-195	66	65 130	6.400	64	6.665	7.065	7.355	130	1-530758-1
M55302/27-194	61	60 120	5.900	59	6.165	6.565	6.855	120	1-530758-0
MILITARY PART NO.	CAVITY IDENT. NO.		E	D	C	B	A	NO. OF CONTACTS	PART NO

UNLESS OTHERWISE SPECIFIED DIMENSIONS ARE IN INCHES. TOLERANCES ON: DECIMALS ±.005 ANGLES ±	CONTRACT NO 7-30-79	AMP INCORPORATED Harrisburg, Pa.
	DR <i>M. Smith</i>	
MATERIAL	CHK <i>Royce D. Dier</i> 7/24/79	NAME BOX CONNECTOR, RECEPTACLE ASSY, 100 GRID, EXTERNAL KEYING
	APPD <i>Royce D. Dier</i> 7/24/79	
FINISH	APPD <i>John Kaufman</i> 3/2/79	SIZE CODE IDENT NO DRAWING NO C 00779 530758
	DSGN APPD	SCALE
OTHER APPD		SHEET 2 OF 2

530758