

521997-1 ✓ ACTIVE

Ultra-Pod | Ultra-Pod 250

TE Internal #: 521997-1

Quick Disconnects, Receptacle, 18 – 14 AWG Wire Size, .82 – 2.08 mm<sup>2</sup> Wire Size, Mating Tab Width .25 in [6.35 mm], Straight, Brass, Ultra-Pod 250

[View on TE.com >](#)



Terminals & Splices > Quick Disconnects > ULTRA POD: Straight, Receptacle Assembly, Unplated, .250 inch



Quick Disconnect Terminal Type: **Receptacle**

Wire Size: .82 – 2.08 mm<sup>2</sup>

Mating Tab Width: 6.35 mm [.25 in]

Mating Tab Thickness: .81 mm [.032 in]

[All ULTRA POD: Straight, Receptacle Assembly, Unplated, .250 inch \(16\)](#)

## Features

### Product Type Features

Terminates To	Wire & Cable
Wire/Cable Type	Regular Wire
Insertion Force	Low
Sealable	No

### Configuration Features

Connection Capacity	Single
---------------------	--------

### Electrical Characteristics

Voltage (Max)	600 V
---------------	-------

### Body Features

Insulation Material	Nylon
---------------------	-------

### Contact Features

Quick Disconnect Terminal Type	Receptacle
Mating Tab Width	6.35 mm [.25 in]



Mating Tab Thickness	.81 mm[.032 in]
Terminal Orientation	Straight
Contact Base Material	Brass
Terminal Plating Material	Unplated
Crimp Type	F-Crimp
Barrel Type	Open

### Mechanical Attachment

Wire Insulation Support	With
-------------------------	------

### Dimensions

Accepts Wire Insulation Diameter Range	2.79 – 4.32 mm[.11 – .17 in]
Receptacle Terminal Stock Thickness	.41 mm[.016 in]
Overall Length	34.7 mm[1.366 in]
Wire Size	.82 – 2.08 mm <sup>2</sup>

### Usage Conditions

Insulation Option	Uninsulated
Operating Temperature Range	-40 – 150 °C[-40 – 302 °F]

### Industry Standards

UL File Number	E66717
UL Flammability Rating	UL 94V-2
CSA Certified	Yes
UL Rating	Listed

### Packaging Features

Packaging Quantity	2000
Packaging Method	Strip/Reel

### Other

Barrel Color	Natural
Comment	Glow Wire Version

### Product Compliance

[For compliance documentation, visit the product page on TE.com>](#)

EU RoHS Directive 2011/65/EU	Compliant
EU ELV Directive 2000/53/EC	Compliant



China RoHS 2 Directive MIIT Order No 32, 2016	No Restricted Materials Above Threshold
EU REACH Regulation (EC) No. 1907/2006	Current ECHA Candidate List: JUNE 2022 (224) Candidate List Declared Against: JUNE 2022 (224) Does not contain REACH SVHC
Halogen Content	Not Low Halogen - contains Br or Cl > 900 ppm.
Solder Process Capability	Not applicable for solder process capability

Product Compliance Disclaimer

This information is provided based on reasonable inquiry of our suppliers and represents our current actual knowledge based on the information they provided. This information is subject to change. The part numbers that TE has identified as EU RoHS compliant have a maximum concentration of 0.1% by weight in homogenous materials for lead, hexavalent chromium, mercury, PBB, PBDE, DBP, BBP, DEHP, DIBP, and 0.01% for cadmium, or qualify for an exemption to these limits as defined in the Annexes of Directive 2011/65/EU (RoHS2). Finished electrical and electronic equipment products will be CE marked as required by Directive 2011/65/EU. Components may not be CE marked. Additionally, the part numbers that TE has identified as EU ELV compliant have a maximum concentration of 0.1% by weight in homogenous materials for lead, hexavalent chromium, and mercury, and 0.01% for cadmium, or qualify for an exemption to these limits as defined in the Annexes of Directive 2000/53/EC (ELV). Regarding the REACH Regulation, the information TE provides on SVHC in articles for this part number is based on the latest European Chemicals Agency (ECHA) 'Guidance on requirements for substances in articles' posted at this URL: <https://echa.europa.eu/guidance-documents/guidance-on-reach>

## Compatible Parts



TE Part # CAT-UL8-2502  
ULTRA POD: Straight, Receptacle Assembly, Unplated, .250 inch



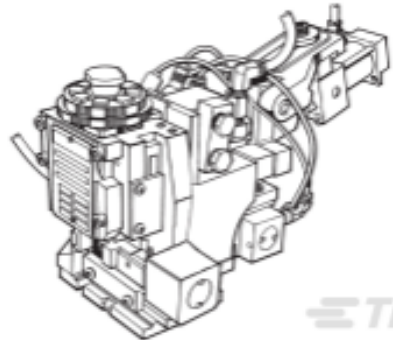
TE Part # 1855522-1  
HDM/ULTRA POD/FA SAPR110F180F LM



TE Part # 1855522-3  
HDM/ULTRA POD/FA SAPR110F180F G



TE Part # 852293-2  
MACH,U-POD.250 9SAPR110F180F K



TE Part # 852293-3  
MACH,U-POD.250 9SAPR110F180F G



TE Part # 852293-1  
MACH,U-POD.250 9SAPR110F180F T

Also in the Series | [Ultra-Pod 250](#)

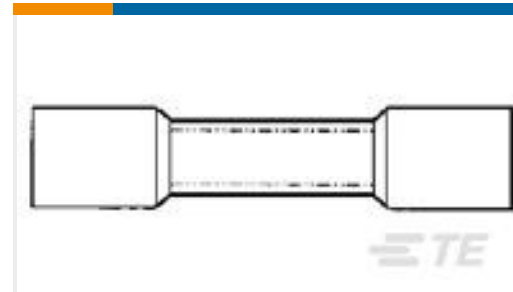
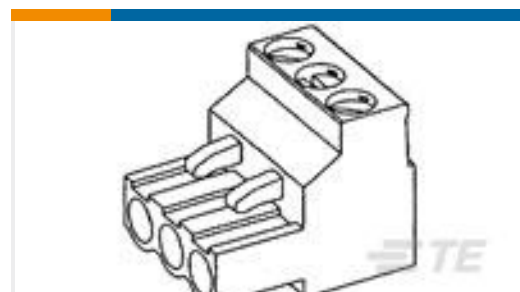


Insertion &amp; Extraction Tools(2)



Quick Disconnects(54)

## Customers Also Bought

TE Part #35277  
TERMINAL,SOLIS R 90DEG 8 1/4TE Part #33115-1  
TERMINAL,SOLIS R 4 5/16 90DEGTE Part #55825-1  
16-14 PRE-INSUL SEALED SPLICETE Part #1658622-7  
30 NOVO MIL/CTR 30DP,LEAD FREETE Part #320748  
TERMINAL,SOLIS R 1 0 3/4TE Part #282809-4  
TERMI-BLOK PLUG STACKING 4P.10TE Part #556136-2  
CONT,AMPINNRGY WTW,LS PC,10-12TE Part #34126  
TERMINAL,SOLIS R 16-14 3/8TE Part #640007-3  
RING TERMINAL 16-14 AWG TPBR

## Documents

### Product Drawings

[ULTRA-POD 250 ASSY REC 18-14 AWG BR](#)

English

### CAD Files

[3D PDF](#)

3D

[Customer View Model](#)

[ENG\\_CVM\\_CVM\\_521997-1\\_A.2d\\_dxf.zip](#)



English

**Customer View Model**

[ENG\\_CVM\\_CVM\\_521997-1\\_A.3d\\_igs.zip](#)

English

**Customer View Model**

[ENG\\_CVM\\_CVM\\_521997-1\\_A.3d\\_stp.zip](#)

English

By downloading the CAD file I accept and agree to the [Terms and Conditions](#) of use.

---

## Datasheets & Catalog Pages

[Ultra-Fast and Ultra Fast Plus](#)

English

---

## Product Specifications

[Application Specification](#)

English

---

## Product Environmental Compliance

[TE Material Declaration](#)

English