



Connectors > Socket Connectors > Memory Sockets > DIMM Sockets



DRAM Type: **Standard**

Connector System: **Board-to-Board**

Number of Positions: **72**

PCB Mounting Style: **Surface Mount**

Module Orientation: **Right Angle**

Features

Product Type Features

DRAM Type	Standard
Connector System	Board-to-Board
Sealable	No
Connector & Contact Terminates To	Printed Circuit Board
Product Type	Socket
Profile	High

Configuration Features

Center Key	None
Number of Keys	1
Number of Positions	72
Module Orientation	Right Angle
Keying	Short
Number of Rows	2

Electrical Characteristics

DRAM Voltage	3.3 V
--------------	-------

Body Features

Ejector Material	Stainless Steel
Ejector Location	Both Ends
Latch Material	Stainless Steel
Latch Plating Material	Tin

Ejector Type	Locking
--------------	---------

Contact Features

Socket Style	M3 (Mini Memory Module)
Contact Underplating Material	Nickel
PCB Contact Termination Area Plating Material	Tin
Contact Base Material	Copper Alloy
Contact Current Rating (Max)	.5 A
Contact Mating Area Plating Material	Gold
Socket Type	Memory Card
Contact Mating Area Plating Thickness	.3 μm [12 μin]

Termination Features

Insertion Style	Cam-In
-----------------	--------

Mechanical Attachment

Polarization	Left
PCB Mount Retention	Without
PCB Mount Retention Type	Solder Tail
PCB Mounting Style	Surface Mount
Connector Mounting Type	Board Mount
Mounting Angle	Right Angle

Housing Features

Centerline (Pitch)	1.27 mm[.05 in]
Housing Material	LCP (Liquid Crystal Polymer)
Housing Color	Natural

Dimensions

Profile Height from PCB	7.8 mm[.3 in]
Row-to-Row Spacing	5.2 mm[.2 in]

Usage Conditions

Operating Temperature Range	-55 – 85 °C[-67 – 185 °F]
-----------------------------	---------------------------

Operation/Application

Circuit Application	Signal
---------------------	--------

Industry Standards

UL Flammability Rating	UL 94V-0
------------------------	----------

Packaging Features

Packaging Method	Box & Tray, Tray
Packaging Quantity	35

Product Compliance

[For compliance documentation, visit the product page on TE.com>](#)

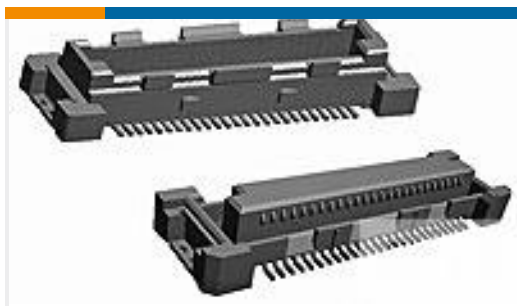
EU RoHS Directive 2011/65/EU	Compliant
EU ELV Directive 2000/53/EC	Compliant
China RoHS 2 Directive MIIT Order No 32, 2016	No Restricted Materials Above Threshold
EU REACH Regulation (EC) No. 1907/2006	Current ECHA Candidate List: JUNE 2022 (224) Candidate List Declared Against: JUNE 2022 (224) Does not contain REACH SVHC
Halogen Content	Low Halogen - Br, Cl, F, I < 900 ppm per homogenous material. Also BFR/CFR/PVC Free
Solder Process Capability	Reflow solder capable to 245°C

Product Compliance Disclaimer

This information is provided based on reasonable inquiry of our suppliers and represents our current actual knowledge based on the information they provided. This information is subject to change. The part numbers that TE has identified as EU RoHS compliant have a maximum concentration of 0.1% by weight in homogenous materials for lead, hexavalent chromium, mercury, PBB, PBDE, DBP, BBP, DEHP, DIBP, and 0.01% for cadmium, or qualify for an exemption to these limits as defined in the Annexes of Directive 2011/65/EU (RoHS2). Finished electrical and electronic equipment products will be CE marked as required by Directive 2011/65/EU. Components may not be CE marked. Additionally, the part numbers that TE has identified as EU ELV compliant have a maximum concentration of 0.1% by weight in homogenous materials for lead, hexavalent chromium, and mercury, and 0.01% for cadmium, or qualify for an exemption to these limits as defined in the Annexes of Directive 2000/53/EC (ELV). Regarding the REACH Regulation, the information TE provides on SVHC in articles for this part number is based on the latest European Chemicals Agency (ECHA) 'Guidance on requirements for substances in articles' posted at this URL: <https://echa.europa.eu/guidance-documents/guidance-on-reach>

Customers Also Bought





TE Part #1-5353729-0
[.6FHR04H,280,B,GIG,08/Sn,ST,NSYes](#)



TE Part #5-535512-2
[112 MODII HORZ DR CE EESS .100](#)



TE Part #YACT20MG35ANV00100
[SQUARE FLANGE RECEPTACLE](#)



TE Part #NB18922001
[RNF-100-1/16-YO-STK](#)



TE Part #2085958-1
[ICCON,SIZE 4,LOCKING PIN ASSEMBLY](#)

Documents

CAD Files

3D PDF

English

Customer View Model

[ENG_CVM_5179601-1_O.2d_dxf.zip](#)

English

Customer View Model

[ENG_CVM_5179601-1_O.3d_igs.zip](#)

English

Customer View Model

[ENG_CVM_5179601-1_O.3d_stp.zip](#)

English

By downloading the CAD file I accept and agree to the [Terms and Conditions](#) of use.

Product Specifications

Crimping of AMP 2.0mm Pitch, CT Crimp Typell Rec Contact

English

Application Specification

English

Product Environmental Compliance

TE Material Declaration

English