

54753-1 ✓ ACTIVE



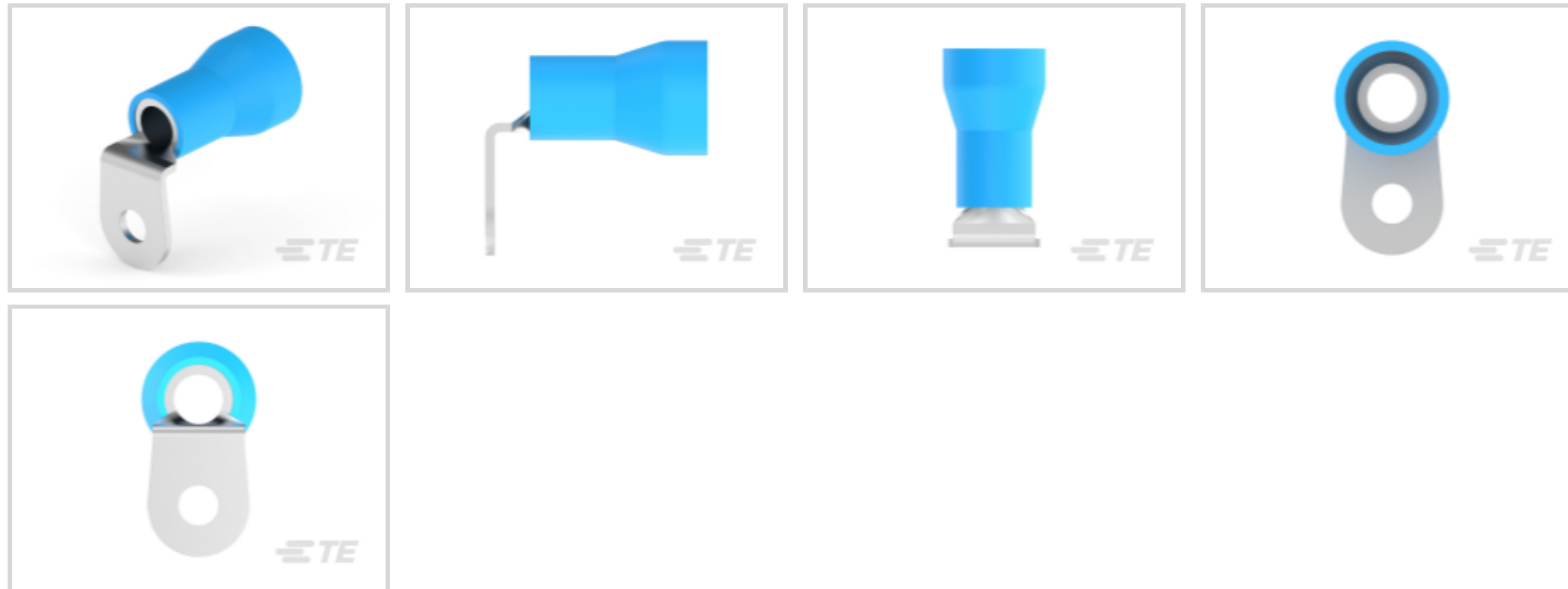
**PLASTI-GRIP**

TE Internal #: 54753-1

Ring Terminals & Spade Terminals, Ring Tongue, 6 AWG Wire Size, 10.54 – 16.77 mm<sup>2</sup> Wire Size, 20800 – 33100 CMA Wire Size, Stud Size #10, PLASTI-GRIP

[View on TE.com >](#)

Terminals & Splices > Ring Terminals & Spade Terminals



Ring & Spade Terminal Type: **Ring Tongue**

Wire Size: **20800 – 33100 CMA**

Stud Size: **#10**

**Features**

**Product Type Features**

|  |                    |
|--|--------------------|
| Shape Description                      | RING-046           |
| Stud Size                              | #10                |
| Sealable                               | No                 |
| Wire Insulation Support Retention Type | Insulation Support |

**Configuration Features**

|                |      |
|----------------|------|
| Terminal Angle | 90 ° |
|----------------|------|

**Electrical Characteristics**

|               |       |
|---------------|-------|
| Voltage (Max) | 600 V |
|---------------|-------|

**Contact Features**

|                            |             |
|----------------------------|-------------|
| Ring & Spade Terminal Type | Ring Tongue |
| Barrel Type                | Closed      |
| Terminal Orientation       | Offset      |
| Terminal Plating Material  | Tin         |

**Mechanical Attachment**

|                         |      |
|-------------------------|------|
| Wire Insulation Support | With |
|-------------------------|------|



### Dimensions

|  |                   |
|--|-------------------|
| Wire Size                              | 20800 – 33100 CMA |
| Stud Diameter                          | 5 mm[.197 in]     |
| Tongue Thickness                       | 1.14 mm[.045 in]  |
| Accepts Wire Insulation Diameter (Max) | 11.07 mm[.436 in] |
| Accepts Wire Insulation Diameter Range | 11.07 mm[.436 in] |

### Usage Conditions

|                             |                     |
|-----------------------------|---------------------|
| Insulation Option           | Partially Insulated |
| Operating Temperature Range | 105 °C[221 °F]      |

### Operation/Application

|                                       |        |
|---------------------------------------|--------|
| Compatible With Wire Base Material    | Copper |
| Compatible With Wire Plating Material | Tin    |
| Heavy Duty                            | No     |

### Industry Standards

|                      |    |
|----------------------|----|
| Government Qualified | No |
|----------------------|----|

### Packaging Features

|                    |             |
|--------------------|-------------|
| Packaging Quantity | 100         |
| Packaging Method   | Loose Piece |

### Product Compliance

[For compliance documentation, visit the product page on TE.com>](#)

|   |  |
|---|--|
| EU RoHS Directive 2011/65/EU                  | Compliant  |
| EU ELV Directive 2000/53/EC                   | Compliant  |
| China RoHS 2 Directive MIIT Order No 32, 2016 | No Restricted Materials Above Threshold  |
| EU REACH Regulation (EC) No. 1907/2006        | Current ECHA Candidate List: JUNE 2022 (224)<br>Candidate List Declared Against: JUL 2021 (219)<br>SVHC > Threshold:<br>Not Yet Reviewed |
| Halogen Content                               | Not Low Halogen - contains Br or Cl > 900 ppm.   |
| Solder Process Capability                     | Not applicable for solder process capability   |

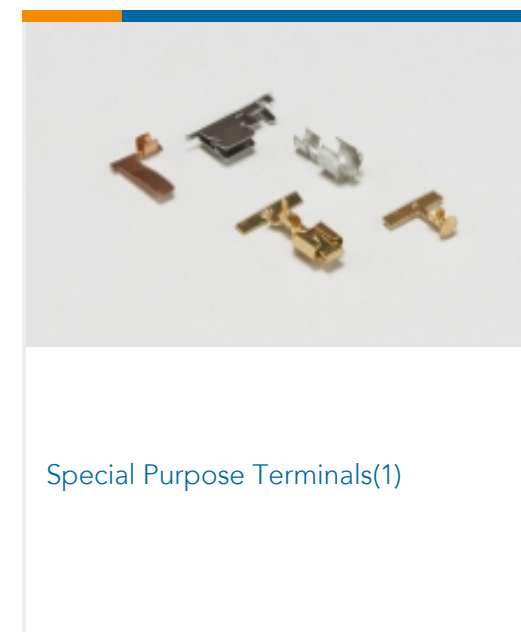
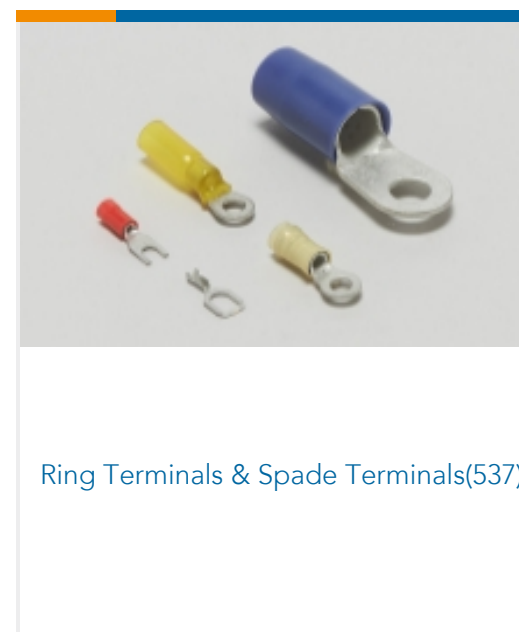
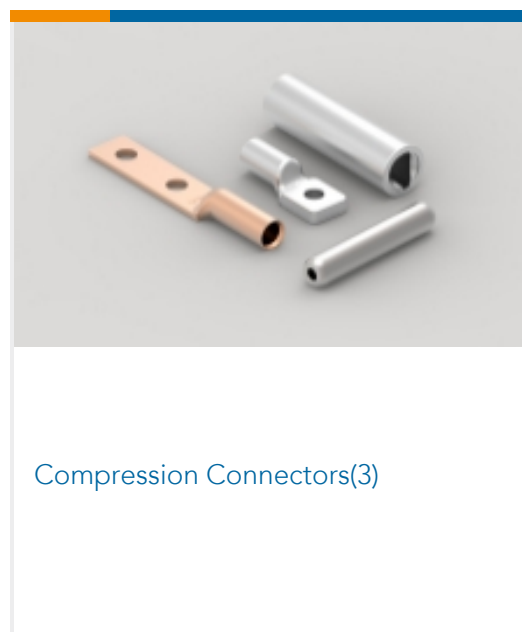
Product Compliance Disclaimer

This information is provided based on reasonable inquiry of our suppliers and represents our current actual knowledge based on the information they provided. This information is subject to change. The part numbers that TE has identified as EU RoHS compliant have a maximum concentration of 0.1% by weight in homogenous materials for lead, hexavalent chromium, mercury, PBB, PBDE, DBP, BBP, DEHP, DIBP, and 0.01% for cadmium, or qualify for an exemption to these limits as defined in the Annexes of Directive 2011/65/EU (RoHS2). Finished electrical and electronic equipment products will be CE marked as required by Directive 2011/65/EU. Components may not be CE marked. Additionally, the part numbers that TE has identified as EU ELV compliant have a maximum concentration of 0.1% by weight in homogenous materials for lead, hexavalent chromium, and mercury, and 0.01% for cadmium, or qualify for an exemption to these limits as defined in the Annexes of Directive 2000/53/EC (ELV). Regarding the REACH Regulation, the information TE provides on SVHC in articles for this part number is based on the latest European Chemicals Agency (ECHA) 'Guidance on requirements for substances in articles' posted at this URL: <https://echa.europa.eu/guidance-documents/guidance-on-reach>

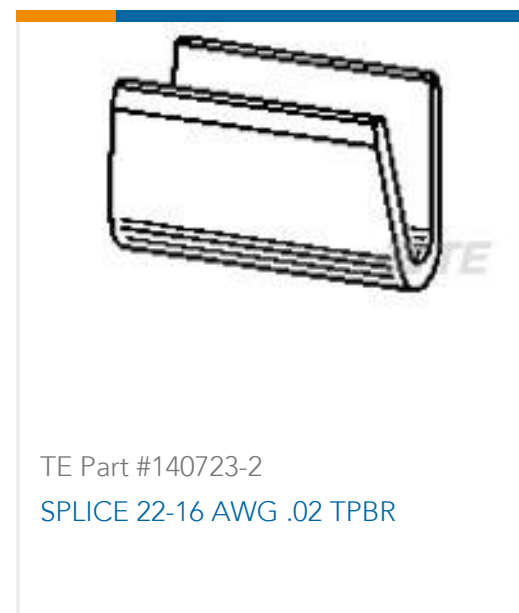
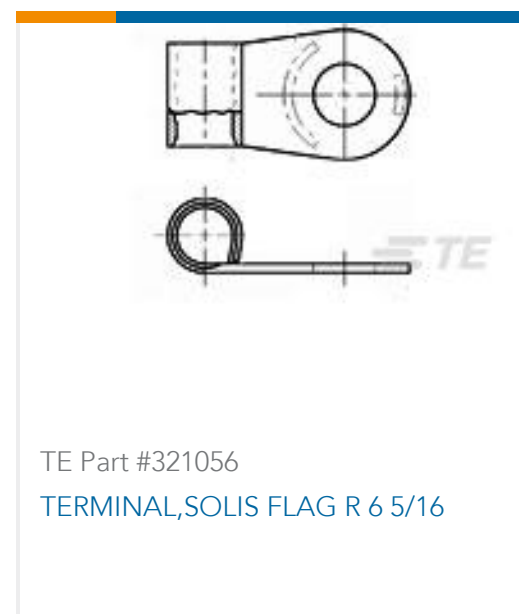
## Compatible Parts



## Also in the Series | PLASTI-GRIP



## Customers Also Bought



## Documents

### Product Drawings

[TERMINAL R 90 DEG PG 6 10](#)

English

### CAD Files

[3D PDF](#)

3D

Customer View Model

[ENG\\_CVM\\_CVM\\_54753-1\\_M\\_c-54753-1-m.2d\\_dxf.zip](#)

English

Customer View Model

[ENG\\_CVM\\_CVM\\_54753-1\\_M\\_c-54753-1-m.3d\\_igs.zip](#)

English

Customer View Model

[ENG\\_CVM\\_CVM\\_54753-1\\_M\\_c-54753-1-m.3d\\_stp.zip](#)

English

By downloading the CAD file I accept and agree to the [Terms and Conditions](#) of use.

### Product Specifications

[Application Specification](#)

English

### Product Environmental Compliance

[TE Material Declaration](#)

English

### Instruction Sheets

[Instruction Sheet \(U.S.\)](#)



English

---

[Agency Approvals](#)

[UL Report](#)

English