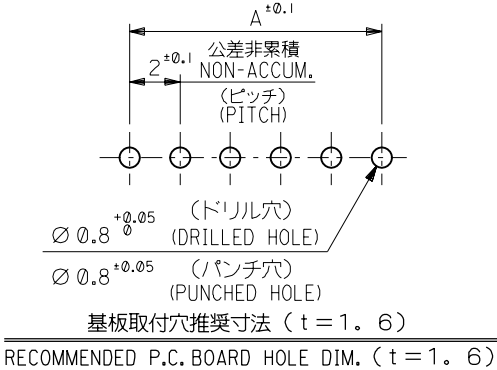
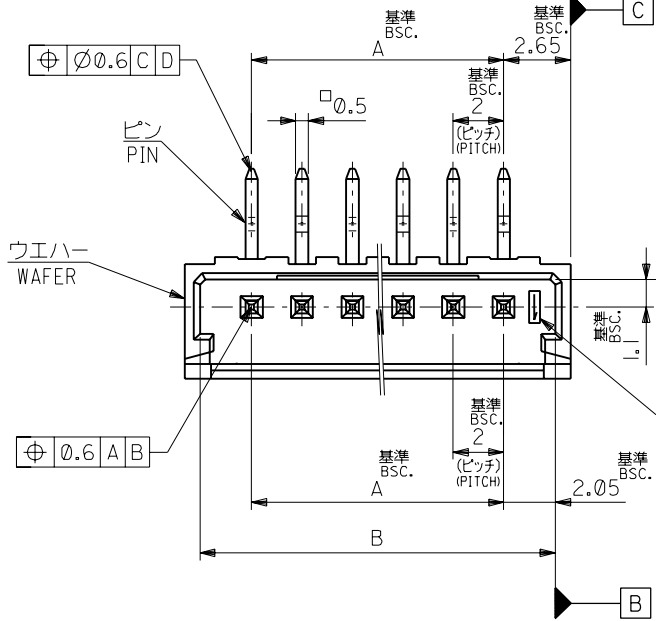


DWG. NO. SD-53325-001



注記 NOTES

1. 嵌合相手: 51090-***00, 52484-***1*
MATES WITH
 2. 材質 MATERIAL
ウエハー: PBT (ガラス15%入り) UL94V-0
WAFER: PBT (G.F. 15%), UL94V-0
ピン: 黄銅, スズメッキ
PIN: BRASS, PRE-TINNED
- △ キングは全ピンに交互に付加。2極はキング無し。
SET KINK ALTERNATELY TO ALL CIRCUITS.
CIRCUIT 2 HAS NO KINK.

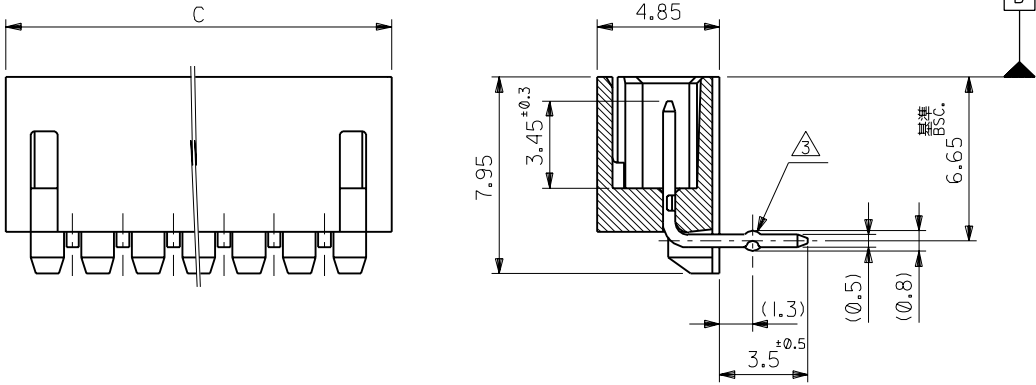
△ 製品番号
ENG. NO.
53325-***|*

ナチュラル (白) NATURAL (WHITE)	0
赤 RED	2
黄 YELLOW	3
青 BLUE	4

極数CIRCUIT SIZE

色COLOR

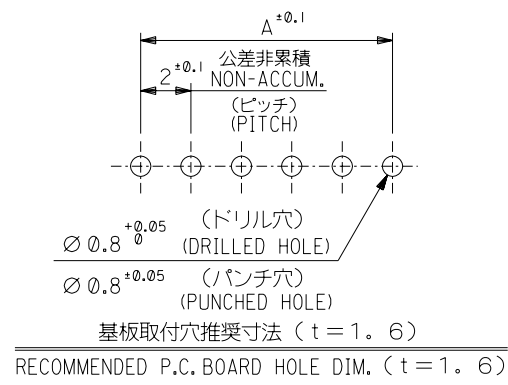
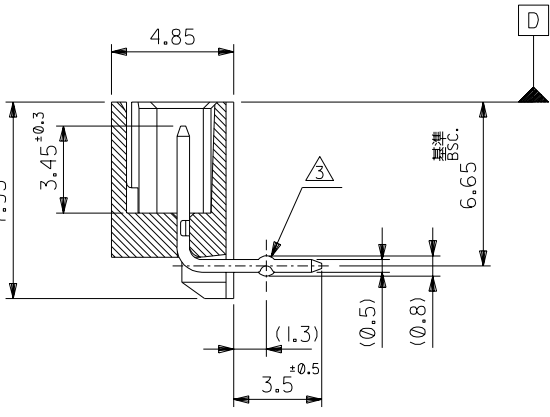
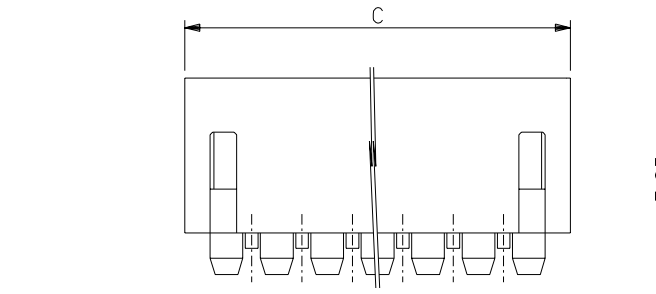
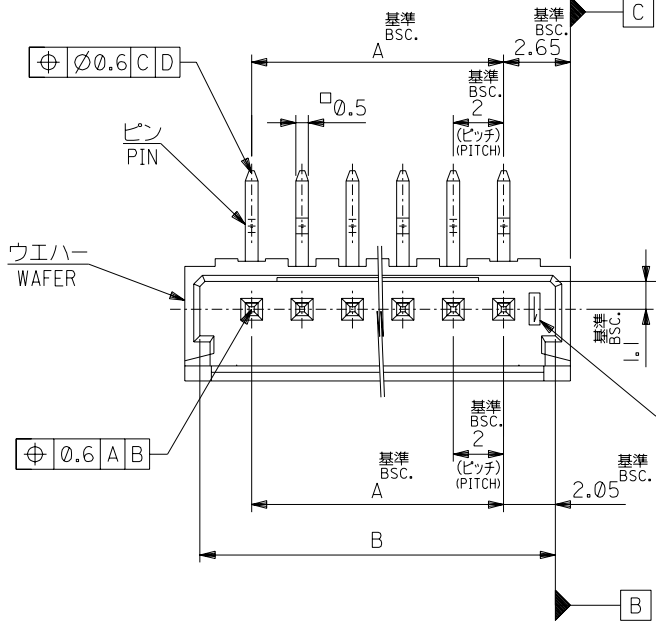
33.3	32.1	28	53325-151*	15
31.3	30.1	26	-14*	14
29.3	28.1	24	-13*	13
27.3	26.1	22	-12*	12
25.3	24.1	20	-11*	11
23.3	22.1	18	-10*	10
21.3	20.1	16	-09*	9
19.3	18.1	14	-08*	8
17.3	16.1	12	-07*	7
15.3	14.1	10	-06*	6
13.3	12.1	8	-05*	5
11.3	10.1	6	-04*	4
9.3	8.1	4	-03*	3
7.3	6.1	2	53325-021*	2
C	B	A	△ 4. ENG. NO.	極数CKT.



DO NOT SCALE DRAWING

064 NO. DRWN: CH'K: APPR: 063 NO. DRWN: CH'K: APPR: 062 NO. DRWN: CH'K: APPR: 061 NO. DRWN: CH'K: APPR: 0 RELEASED DRWN: K.SAKAMOTO CH'K: J.MIYAZAWA APPR: YO.IITO	MATERIAL 材料 注記参照 SEE NOTES FINISH 仕上げ WIRE RANGE 適用線径範囲 INS. RANGE 被覆外径	GENERAL TOLERANCES: (UNLESS SPECIFIED) 一般公差 10 UNDER 未満 ±0.2 10 OVER 30 UNDER 未満 ±0.25 30 OVER 以上 ±0.3 ANGLE 角度 ±3°	SCALE 5-1 DESIGN UNITS <input checked="" type="checkbox"/> mm <input type="checkbox"/> INCH DIMENSIONS: <input type="checkbox"/> mm <input type="checkbox"/> INCH <input checked="" type="checkbox"/> mm ONLY	SHT 1 REV REVISION ON CAD ONLY
			DRAWN BY & DATE <i>K. Sakamoto</i> '02/01/15 CHECKED BY & DATE <i>J. Miyazawa</i> '02/01/15 APPROVED BY & DATE <i>Y. Ito</i> '02/01/15 CAD FILENAME 53325001.S01	TITLE: 2.0 WIRE TO BOARD CONN. WAFER ASS'Y (R/A) MOLEX MOLEX INCORPORATED

DWG. NO. SD-53325-002



注記 NOTES

1. 嵌合相手: 51090-***00, 52484-***1*
MATES WITH
 2. 材質
MATERIAL
ウエハー: PBT (ガラス15%入り)
UL 94V-0
WAFER: PBT (G.F. 15%), UL94V-0
ピン: 黄銅、スズメッキ
PIN: BRASS, PRE-TINNED
- △ キングは全ピンに交互に付加。2極はキング無し。
SET KINK ALTERNATELY TO ALL CIRCUITS.
CIRCUIT 2 HAS NO KINK.

△ 製品番号
MATERIAL NO.
53325-***6*

ナチュラル (白) NATURAL (WHITE)	0
赤 RED	2
黄 YELLOW	3
青 BLUE	4

極数 CIRCUIT SIZE 色 COLOR

無鉛
LEAD FREE

15	33.3	32.1	28	53325-156*	53325-***6*
14	31.3	30.1	26	-146*	
13	29.3	28.1	24	-136*	
12	27.3	26.1	22	-126*	
11	25.3	24.1	20	-116*	
10	23.3	22.1	18	-106*	
9	21.3	20.1	16	-096*	
8	19.3	18.1	14	-086*	
7	17.3	16.1	12	-076*	
6	15.3	14.1	10	-066*	
5	13.3	12.1	8	-056*	
4	11.3	10.1	6	-046*	
3	9.3	8.1	4	-036*	
2	7.3	6.1	2	53325-026*	
極数 CKT.	C	B	A	△ MATERIAL NO.	MODEL NO.

DO NOT SCALE DRAWING

64 NO. DRWN: CH'K: APPR:	63 NO. DRWN: CH'K: APPR:	62 NO. DRWN: CH'K: APPR:	61 NO. DRWN: CH'K: APPR:	RELEASED J2003-1741 DRWN: S.SHIBATA 02/12/25 CH'K: T.KANEKO 02/12/25 APPR: YO.ITO 02/12/25	DESCRIPTION MATERIAL 材料 FINISH 仕上り WIRE RANGE 適用層線範囲 INS. RANGE 被覆外径
				A	#

注記参照
SEE NOTES

GENERAL TOLERANCES: (UNLESS SPECIFIED) 一般公差	SCALE 5-1	DESIGN UNITS <input checked="" type="checkbox"/> mm <input type="checkbox"/> INCH	PROJECTION <input checked="" type="checkbox"/> FIRST ANGLE <input type="checkbox"/> THIRD ANGLE
10 UNDER 未滿	±0.2	DRAWN BY & DATE S. Shibata 02/12/25	TITLE: 2.0 WIRE TO BOARD CONN. WAFER ASS'Y (R/A)
10 OVER 以上 30 UNDER 未滿	±0.25	CHECKED BY & DATE Y. Nagawa 02/12/25	MOLEX INCORPORATED
30 OVER 以上	±0.3	APPROVED BY & DATE Y. Ito 02/12/25	
ANGLE 角度	±3°	CAD FILENAME SD-53325-002.DGN	MATERIAL NO. SEE CHART

DIMENSIONS: <input type="checkbox"/> mm <input type="checkbox"/> INCH <input checked="" type="checkbox"/> mm <input type="checkbox"/> INCH ONLY	SHT	REV
REVISE ON CAD ONLY		
MATERIAL NO. SEE CHART		
DRAWING NO. SD-53325-002	SHEET NO. 1 OF 1	
THIS DRAWING CONTAINS INFORMATION THAT IS PROPRIETARY TO MOLEX INCORPORATED AND SHOULD NOT BE USED WITHOUT WRITTEN PERMISSION.		
SIZE B		