

54123-1 ✓ ACTIVE

AMP | AMP CPC

TE Internal #: 54123-1

Circular Connector Seals, Cable Seal, Cable-to-Cable, .750-20
UNEF-2B, Sealable, Wire & Cable, Cable Mount (Free-Hanging),
AMP CPC

[View on TE.com >](#)



Connectors > Circular Connectors > Circular Connector Accessories > Circular Connector Seals > HEAT SHRINK STRAIN RELIEFS-CPC



Connector Seal Type: **Cable Seal**

Connector System: **Cable-to-Cable**

Accepts Cable Diameter Range: **9.53 – 18.42 mm [.375 – .725 in]**

Screw & Hole Thread Size: **.750-20 UNEF-2B**

Sealable: **Yes**

[All HEAT SHRINK STRAIN RELIEFS-CPC \(7\)](#)

Features

Product Type Features

Connector Seal Type	Cable Seal
Connector System	Cable-to-Cable
Sealable	Yes
Connector & Contact Terminates To	Wire & Cable

Body Features

Color	Black
-------	-------

Mechanical Attachment

Screw & Hole Thread Size	.750-20 UNEF-2B
Connector Mounting Type	Cable Mount (Free-Hanging)

Dimensions

Accepts Cable Diameter Range	9.53 – 18.42 mm [.375 – .725 in]
------------------------------	----------------------------------

Usage Conditions

Operating Temperature Range	-55 – 110 °C[-67 – 230 °F]
-----------------------------	----------------------------

Packaging Features

Packaging Quantity	50
Packaging Method	Box

Product Compliance

[For compliance documentation, visit the product page on TE.com>](#)

EU RoHS Directive 2011/65/EU	Compliant
EU ELV Directive 2000/53/EC	Compliant
China RoHS 2 Directive MIIT Order No 32, 2016	No Restricted Materials Above Threshold
EU REACH Regulation (EC) No. 1907/2006	Current ECHA Candidate List: JUNE 2022 (224) Candidate List Declared Against: JAN 2022 (223) SVHC > Threshold: Not Yet Reviewed
Halogen Content	BFR/CFR/PVC Free, but Br/Cl >900 ppm in other sources.
Solder Process Capability	Not applicable for solder process capability

Product Compliance Disclaimer

This information is provided based on reasonable inquiry of our suppliers and represents our current actual knowledge based on the information they provided. This information is subject to change. The part numbers that TE has identified as EU RoHS compliant have a maximum concentration of 0.1% by weight in homogenous materials for lead, hexavalent chromium, mercury, PBB, PBDE, DBP, BBP, DEHP, DIBP, and 0.01% for cadmium, or qualify for an exemption to these limits as defined in the Annexes of Directive 2011/65/EU (RoHS2). Finished electrical and electronic equipment products will be CE marked as required by Directive 2011/65/EU. Components may not be CE marked. Additionally, the part numbers that TE has identified as EU ELV compliant have a maximum concentration of 0.1% by weight in homogenous materials for lead, hexavalent chromium, and mercury, and 0.01% for cadmium, or qualify for an exemption to these limits as defined in the Annexes of Directive 2000/53/EC (ELV). Regarding the REACH Regulation, the information TE provides on SVHC in articles for this part number is based on the latest European Chemicals Agency (ECHA) 'Guidance on requirements for substances in articles' posted at this URL: <https://echa.europa.eu/guidance-documents/guidance-on-reach>

Compatible Parts



Also in the Series | AMP CPC



Circular Connector Adapters(7)



Circular Connector Boots & Strain Relief(6)



Circular Connector Caps & Covers(16)



Circular Connector Hardware(3)



Circular Connector Keying Plugs(2)



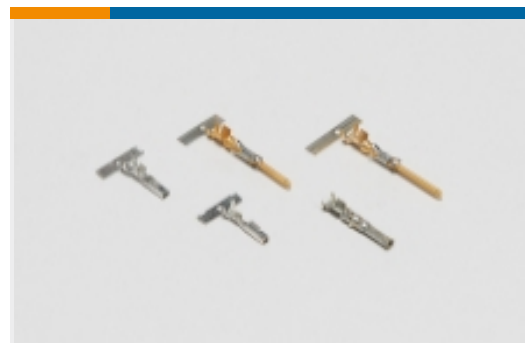
Circular Connector Seals(36)



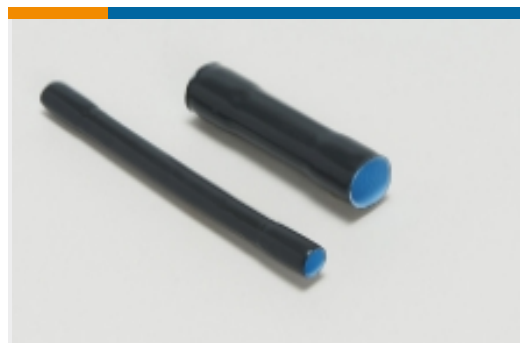
Circular Power Connectors(516)



Insertion & Extraction Tools(1)



Power Contacts(6)

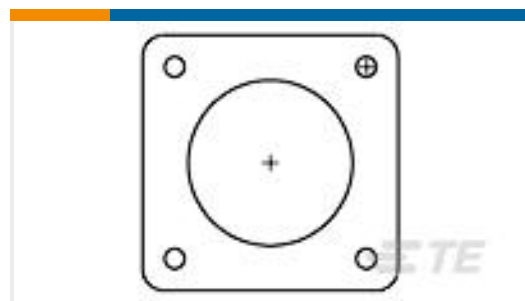


Sealing Sleeves(2)



Unscreened Circular Connector Backshells & Clamps(56)

Customers Also Bought



TE Part #81665-4
ECONOSEAL, FLANGE GASKET



TE Part #206433-3
CPC RECPT ASSEMBLY SIZE 11-8



TE Part #211399-1
CPC PLUG ASSEMBLY SIZE 13-7



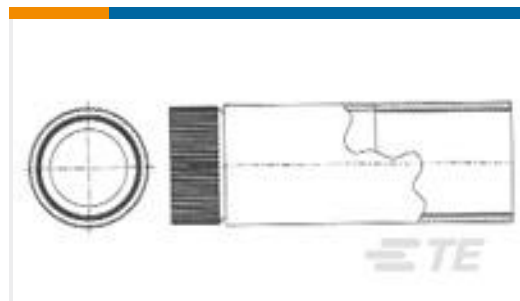
TE Part #211400-1
CPC PLUG ASSEMBLY SIZE 13-7



TE Part #788157-2
CPC SERIES 1 SEALED ONE-PIECE



TE Part #86657-2
FFC RECPT CONTACT-LP



TE Part #1546921-1
STR RLF ASSY,TUBING,SIZE 11



TE Part #8-34072-1
SPLICE,PG BUTT 12-10



Documents

Product Drawings

CPC,13 LONG TUBE

English

CAD Files

Customer View Model

ENG_CVM_54123-1_U.3d_igs.zip

English

Customer View Model

ENG_CVM_54123-1_U.3d_stp.zip

English

Customer View Model

ENG_CVM_54123-1_U.2d_dxf.zip

English

3D PDF

English

3D PDF

3D

Customer View Model

ENG_CVM_CVM_54123-1_Y.2d_dxf.zip

English

Customer View Model

ENG_CVM_CVM_54123-1_Y.3d_igs.zip

English

Customer View Model

ENG_CVM_CVM_54123-1_Y.3d_stp.zip

English

By downloading the CAD file I accept and agree to the [Terms and Conditions](#) of use.

Datasheets & Catalog Pages

AMP Circular Connectors for Commercial Signal & Power Applications Continued

English

Product Environmental Compliance

Product Compliance

English

Product Compliance

English

Instruction Sheets

Instruction Sheet (U.S.)

English

Agency Approvals

CSA Certificate



English