

部品 PART	材料 MATERIAL
① プラグハウジング PLUG HOUSING	ポリアミド,UL94V-0,色 : ナチュラル(ベージュ) POLYAMIDE(PA), UL94V-0,COLOR:NATURAL(BEIGE)
② プラグピン PLUG PIN	りん青銅 PHOSPHOR BRONZE
	錫めっき : 1.0MICRO METER MINIMUM. MATTE TIN PLATING : 1.0MICRO METER MINIMUM.
	銅めっき(下地めっき) : 0.5MICRO METER MINIMUM COPPER PLATING(UNDER PLATING) : 0.5MICRO METER MINIMUM

**NOTES.**

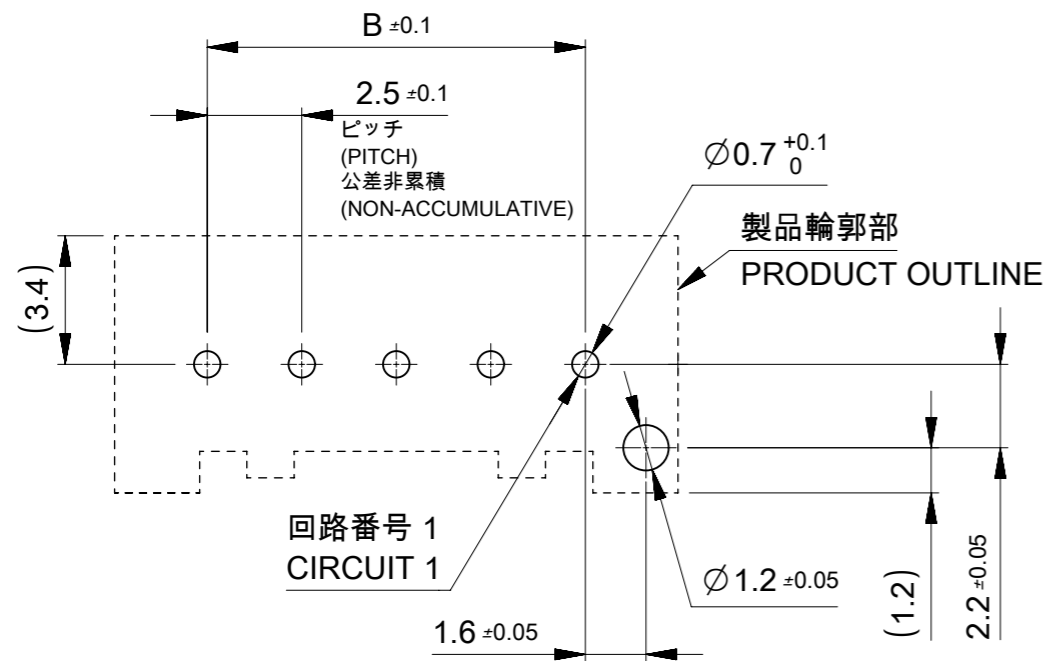
△ 偶数極品に適用。  
APPLIES ONLY TO EVEN CIRCUIT SIZES.

2. 嵌合相手 : 51163 シリーズ  
MATE WITH : 51163 SERIES.

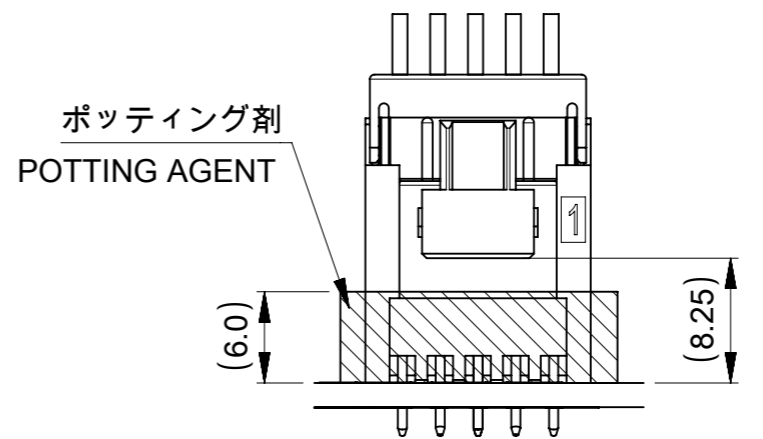
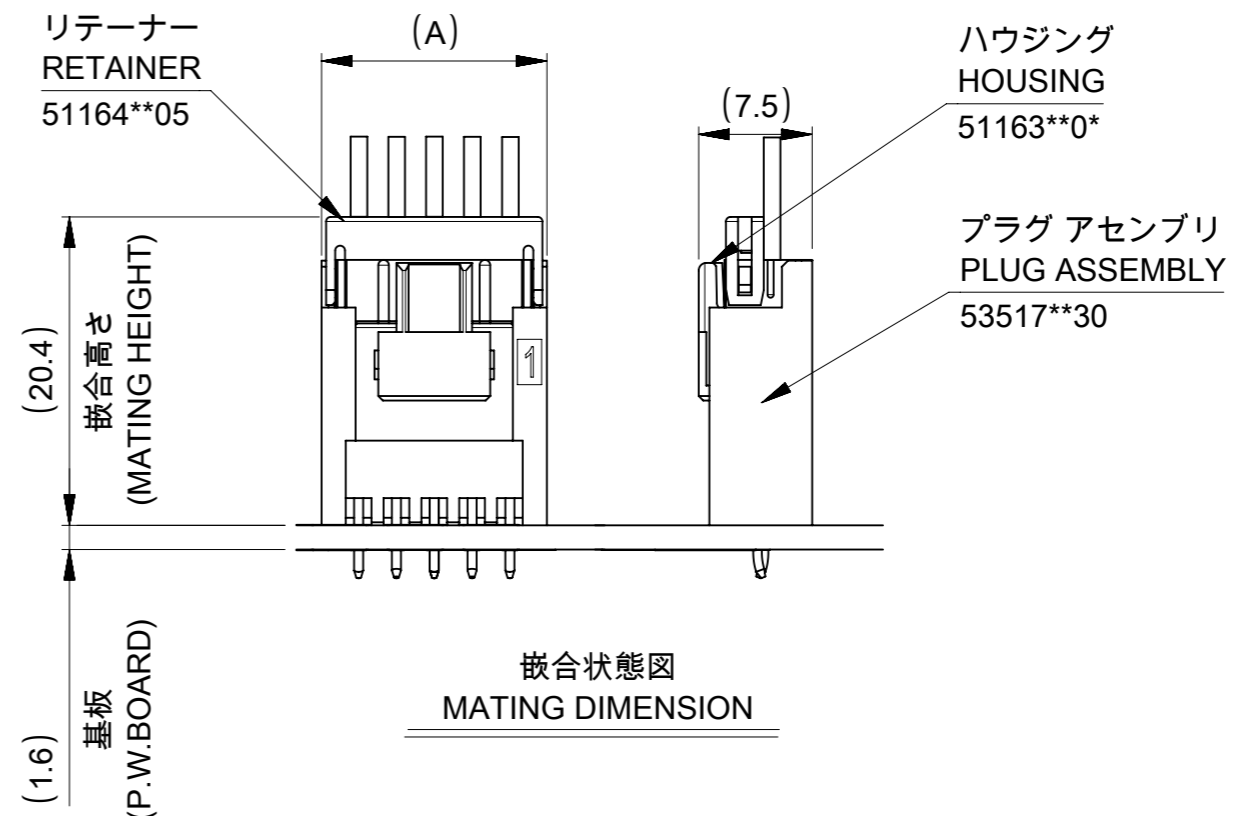
38.2	35	39.9	535171530	15
35.7	32.5	37.4	535171430	14
33.2	30	34.9	535171330	13
30.7	27.5	32.4	535171230	12
28.2	25	29.9	535171130	11
25.7	22.5	27.4	535171030	10
23.2	20.0	24.9	535170930	9
20.7	17.5	22.4	535170830	8
18.2	15.0	19.9	535170730	7
15.7	12.5	17.4	535170630	6
13.2	10.0	14.9	535170530	5
10.7	7.5	12.4	535170430	4
8.2	5.0	9.9	535170330	3
5.7	2.5	7.4	535170230	2
C	B	A	TRAY PACKAGE ORDER NO.	CKT NO.

THIS DRAWING CONTAINS INFORMATION THAT IS PROPRIETARY TO MOLEX ELECTRONIC TECHNOLOGIES, LLC AND SHOULD NOT BE USED WITHOUT WRITTEN PERMISSION

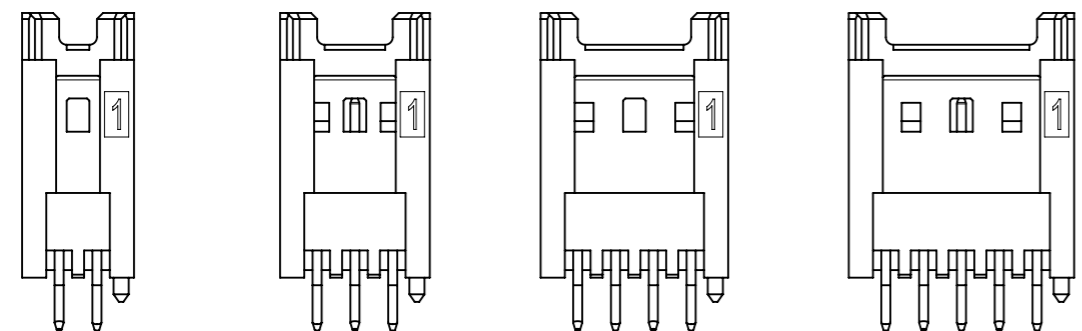
DIMENSION UNITS	SCALE	CURRENT REV DESC:	<b>molex</b>		
mm	NTS		MINI-LOCK 2.5W/B PLUG ASSEMBLY SINGLE ROW		
GENERAL TOLERANCES (UNLESS SPECIFIED)			PRODUCT CUSTOMER DRAWING		
ANGULAR TOL	± 3.0°	EC NO: 606178	DOCUMENT NUMBER		
4 PLACES	±	DRWN: RWATANABE01 2018/09/25	535170000-SD		
3 PLACES	±	CHK'D: KOMURAKAMI 2018/10/22	DOC TYPE	DOC PART	REVISION
2 PLACES	± 0.2	APPR: TKANEKO 2018/10/23	PSD	001	B
1 PLACE	± 0.2	INITIAL REVISION:	SHEET NUMBER		
0 PLACES	± 0.2	DRWN: RWATANABE01 2018/03/14	1 OF 2		
DRAFT WHERE APPLICABLE MUST REMAIN WITHIN DIMENSIONS		APPR: TKANEKO 2018/09/10	MATERIAL NUMBER	CUSTOMER	
THIRD ANGLE PROJECTION		DRAWING	SEE CHART	GENERAL	
A3-SIZE		SERIES			
		53517			



基板取付穴推奨寸法(マウント面)  
 RECOMMENDED P.W.BOARD HOLE DIMENSION  
 (MOUNTING SIDE), (t=1.6)



参考ポッティング高さ  
 POTTING HEIGHT (REFERENCE)



2CKT      3CKT      4CKT      5-15CKT

ロック形状図  
 LOCK CONFIGURATION

THIS DRAWING CONTAINS INFORMATION THAT IS PROPRIETARY TO MOLEX ELECTRONIC TECHNOLOGIES, LLC AND SHOULD NOT BE USED WITHOUT WRITTEN PERMISSION									
DIMENSION UNITS		SCALE		CURRENT REV DESC:				<b>molex</b>	
mm		NTS							
GENERAL TOLERANCES (UNLESS SPECIFIED)									
ANGULAR TOL ± 3.0°									
4 PLACES ±									
3 PLACES ±									
2 PLACES ± 0.2									
1 PLACE ± 0.2									
0 PLACES ± 0.2									
DRAFT WHERE APPLICABLE MUST REMAIN WITHIN DIMENSIONS									
THIRD ANGLE PROJECTION		DRAWING		SERIES		MATERIAL NUMBER		CUSTOMER	
		A3-SIZE		53517		SEE CHART		GENERAL	
EC NO: 606178				DRWN: RWATANABE01		2018/09/25		DOCUMENT NUMBER <b>535170000-SD</b>	
DRWN: RWATANABE01				2018/03/14		2018/09/10			
CHK'D: KOMURAKAMI				2018/10/22		PSD		001	
APPR: TKANEKO				2018/10/23		001		B	
INITIAL REVISION:									
DRWN: RWATANABE01									
2018/03/14									
APPR: TKANEKO									
2018/09/10									
PRODUCT CUSTOMER DRAWING									
SHEET NUMBER									
2 OF 2									