

521411-2 ✓ ACTIVE

Ultra-Pod | Ultra-Pod 250

TE Internal #: 521411-2

Quick Disconnects, Receptacle, 22 – 18 AWG Wire Size, .32 – .82 mm<sup>2</sup> Wire Size, Mating Tab Width .25 in [6.35 mm], Flag, Brass, Ultra-Pod 250

[View on TE.com >](#)



Terminals & Splices > Quick Disconnects > ULTRA POD: Flag, Receptacle Assembly, Tin Plated, .250 inch



Quick Disconnect Terminal Type: **Receptacle**

Wire Size: .32 – .82 mm<sup>2</sup>

Mating Tab Width: 6.35 mm [ .25 in ]

Mating Tab Thickness: .81 mm [ .032 in ]

[All ULTRA POD: Flag, Receptacle Assembly, Tin Plated, .250 inch \(9\)](#)

## Features

### Product Type Features

Terminates To	Wire & Cable
Wire/Cable Type	Regular Wire
Insertion Force	Normal
Sealable	No

### Configuration Features

Connection Capacity	Single
---------------------	--------

### Electrical Characteristics

Voltage (Max)	600 V
---------------	-------

### Body Features

Insulation Material	Nylon
---------------------	-------

### Contact Features

Quick Disconnect Terminal Type	Receptacle
Mating Tab Width	6.35 mm [.25 in]



Mating Tab Thickness	.81 mm[.032 in]
Terminal Orientation	Flag
Contact Base Material	Brass
Terminal Plating Material	Tin
Crimp Type	Tab-Lok
Barrel Type	Open

### Mechanical Attachment

Wire Insulation Support	With
-------------------------	------

### Dimensions

Accepts Wire Insulation Diameter Range	1.27 – 2.54 mm[.05 – .1 in]
Overall Length	23.03 mm[.905 in]
Receptacle Terminal Stock Thickness	.41 mm[.016 in]
Wire Size	.32 – .82 mm <sup>2</sup>

### Usage Conditions

Insulation Option	Uninsulated
Operating Temperature Range	-40 – 150 °C[-40 – 302 °F]

### Industry Standards

UL Flammability Rating	UL 94V-0
UL Rating	Listed

### Packaging Features

Packaging Quantity	1800
Packaging Method	Strip/Reel

### Other

Barrel Color	Natural
--------------	---------

### Product Compliance

[For compliance documentation, visit the product page on TE.com>](#)

EU RoHS Directive 2011/65/EU	Compliant
EU ELV Directive 2000/53/EC	Compliant
China RoHS 2 Directive MIIT Order No 32, 2016	No Restricted Materials Above Threshold
EU REACH Regulation (EC) No. 1907/2006	Current ECHA Candidate List: JUNE 2022 (224)



Candidate List Declared Against: JAN 2022  
(223)  
SVHC > Threshold:  
Not Yet Reviewed

Halogen Content

Low Halogen - Br, Cl, F, I < 900 ppm per homogenous material. Also BFR/CFR/PVC Free

Solder Process Capability

Not applicable for solder process capability

Product Compliance Disclaimer

This information is provided based on reasonable inquiry of our suppliers and represents our current actual knowledge based on the information they provided. This information is subject to change. The part numbers that TE has identified as EU RoHS compliant have a maximum concentration of 0.1% by weight in homogenous materials for lead, hexavalent chromium, mercury, PBB, PBDE, DBP, BBP, DEHP, DIBP, and 0.01% for cadmium, or qualify for an exemption to these limits as defined in the Annexes of Directive 2011/65/EU (RoHS2). Finished electrical and electronic equipment products will be CE marked as required by Directive 2011/65/EU. Components may not be CE marked. Additionally, the part numbers that TE has identified as EU ELV compliant have a maximum concentration of 0.1% by weight in homogenous materials for lead, hexavalent chromium, and mercury, and 0.01% for cadmium, or qualify for an exemption to these limits as defined in the Annexes of Directive 2000/53/EC (ELV). Regarding the REACH Regulation, the information TE provides on SVHC in articles for this part number is based on the latest European Chemicals Agency (ECHA) 'Guidance on requirements for substances in articles' posted at this URL: <https://echa.europa.eu/guidance-documents/guidance-on-reach>

## Compatible Parts



TE Part # CAT-UL8-25021  
ULTRA POD: Flag, Receptacle Assembly, Tin Plated, .250 inch



TE Part # 520971-1  
ULTRA-POD 250 ASY REC 18-14 AWG BR



TE Part # 521282-1  
ULTRA-POD 250 ASS REC 18-14 AWG BR LIF



TE Part # 521411-1  
ULTRA-POD 250 ASY REC 22-18 AWG BR



TE Part # 521050-1  
ULTRA-POD 250 ASSEMBLY REC 22-18 AWG BR



TE Part # 521633-1  
250 ULTRA-POD FLAG 18-14 BR



TE Part # 680020-1  
MACH,U-POD FLAG9EAPR080F1400 T



TE Part # 680020-2  
MACH,U-PODFLAG 9EAPR080F1400 K

Also in the Series | **Ultra-Pod 250**



Insertion &amp; Extraction Tools(2)



Quick Disconnects(54)

## Customers Also Bought



TE Part #521597-2  
ULTRA POD: Flag, Receptacle  
Assembly, Tin Plated, .187 inch



TE Part #2132781-8  
08P EP-II HOUSING, NATURAL



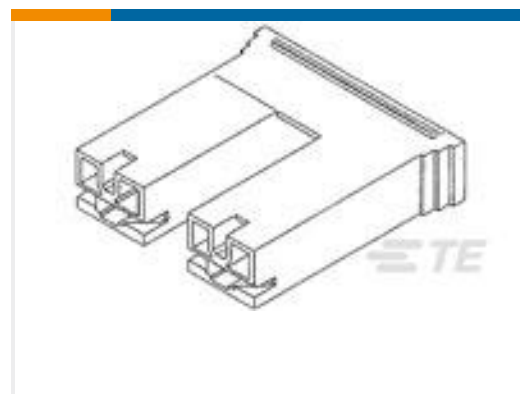
TE Part #794762-1  
12P UMNL CAP HSG WHITE,PAN MNT



TE Part #2132781-7  
07P EP-II HOUSING, NATURAL



TE Part #1-2132782-2  
12 pos. EP II breakaway retain



TE Part #1-520935-5  
PL 250 HOUSING REC BLUE 6/6  
NYLON V2



TE Part #521284-2  
ULTRA-POD 187 ASSY REC 20-16  
AWG TPBR



TE Part #794742-1  
12P UMNL PLUG HSG NATL

## Documents

### Product Drawings

[ULTRA-POD 250 ASY REC 22-18 AWG TPBR](#)

English

### CAD Files

[3D PDF](#)

3D

Customer View Model

[ENG\\_CVM\\_CVM\\_521411-2\\_E.2d\\_dxf.zip](#)

English

Customer View Model

[ENG\\_CVM\\_CVM\\_521411-2\\_E.3d\\_igs.zip](#)

English

Customer View Model

[ENG\\_CVM\\_CVM\\_521411-2\\_E.3d\\_stp.zip](#)

English

By downloading the CAD file I accept and agree to the [Terms and Conditions](#) of use.



---

**Datasheets & Catalog Pages**

**Ultra-Fast and Ultra Fast Plus**

English

---

**Product Specifications**

**Application Specification**

English

---

**Product Environmental Compliance**

**TE Material Declaration**

English

---

**Agency Approvals**

**UL Report**

English