

**PLEASE CHECK WWW.MOLEX.COM FOR LATEST PART INFORMATION**

**Part Number:** [0512964094](#)  
**Status:** **Active**  
**Overview:** [Easy-On FFC FPC Connectors](#)  
**Description:** 0.50mm Pitch Easy-On FFC/FPC Connector, 1.30mm Height, Right-Angle, Surface Mount, ZIF, Bottom Contact Style, 40 Circuits, Gold (Au) Contact Plating

**Documents:**

[3D Model](#) [Drawing \(PDF\)](#)  
[3D Model \(PDF\)](#) [RoHS Certificate of Compliance \(PDF\)](#)

**General**

Product Family [FFC/FPC Connectors](#)  
 Series [51296](#)  
 Overview [Easy-On FFC FPC Connectors](#)  
 Product Name [Easy-On](#)  
 UPC [822348727582](#)

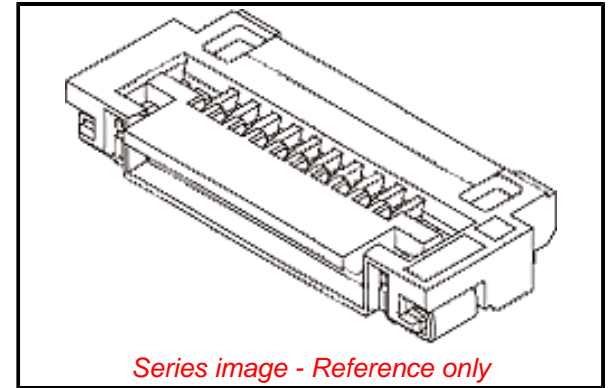
**Physical**

Actuator Type [Flip](#)  
 Circuits (Loaded) [40](#)  
 Color - Resin [Beige, Black](#)  
 Contact Position [Bottom](#)  
 Durability (mating cycles max) [20](#)  
 Mated Height [1.30mm](#)  
 Material - Metal [Phosphor Bronze](#)  
 Material - Plating Mating [Gold](#)  
 Material - Plating Termination [Gold](#)  
 Net Weight [193.131/mg](#)  
 Number of Rows [1](#)  
 Orientation [Right Angle](#)  
 PCB Locator [No](#)  
 PCB Mounting [Surface Mount](#)  
 PCB Retention [Yes](#)  
 Packaging Type [Embossed Tape on Reel](#)  
 Pitch - Mating Interface [0.50mm](#)  
 Polarized to PCB [Yes](#)  
 Stackable [No](#)  
 Temperature Range - Operating [-40° to +85°C](#)  
 Wire/Cable Type [FFC/FPC](#)

**Electrical**

Current - Maximum per Contact [0.5A](#)  
 Voltage - Maximum [50V](#)

**Material Info**



**EU ELV**

**Not Relevant**

**EU RoHS**

**Compliant**

**REACH SVHC**

Not Contained Per -  
 D(2020)4578-DC (25  
 June 2020)

**Halogen-Free**

**Status**

**Not Low-Halogen**

For more information, please visit [Contact US](#)

China ROHS

ELV

RoHS Phthalates

**China RoHS**

Green Image

Not Relevant

Not Contained

**Search Parts in this Series**

[51296 Series](#)