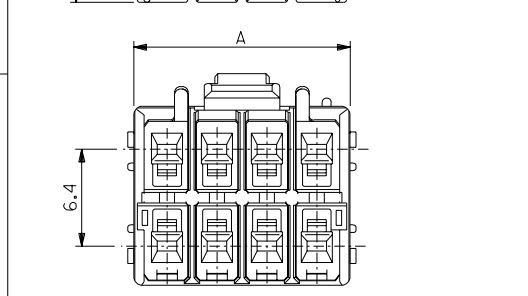
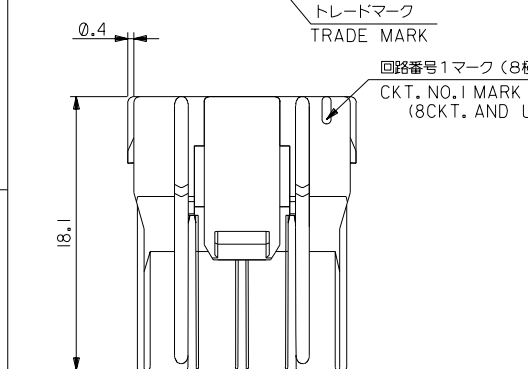
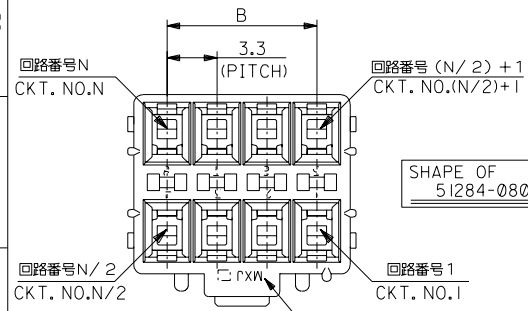


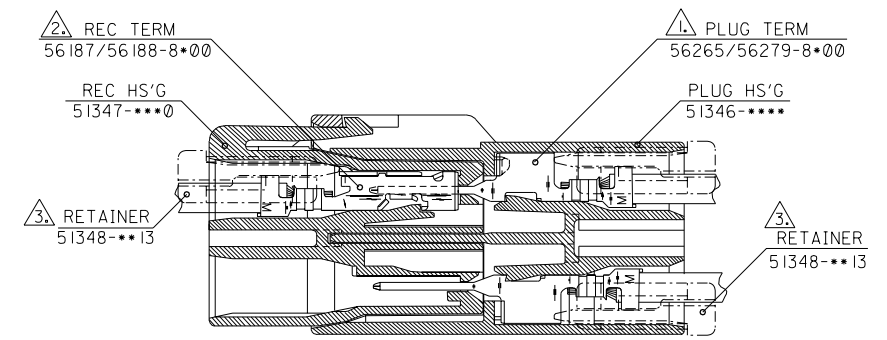
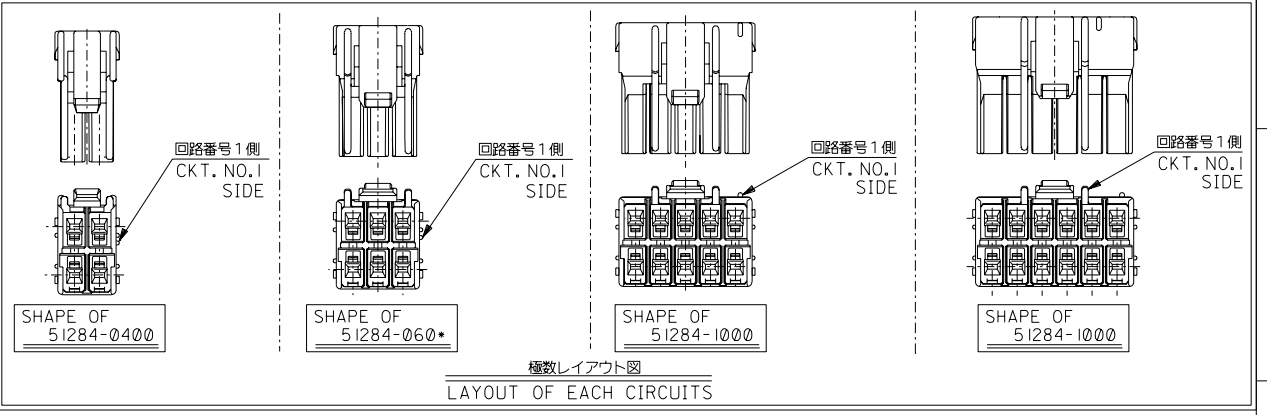
DO NOT SCALE DRAWING

本図は2列品を示す
DUAL ROW ASS'Y



注記
NOTES

- △ 適合ターミナル: 56187/56188シリーズ
APPLICABLE TERMINAL: 56187/56188 SERIES
- 2. 嵌合相手: 51346シリーズ
MATE WITH: 51346 SERIES
- △ 適合リテーナー: 51348-***1* シリーズ
APPLICABLE RETAINER: 51348-***1* SERIES
- 4. 材質: NYLON66, UL94V-0



51346-1200	51348-0613	NATURAL	16.5	20.9	12	51347-1200	
-1000	-0513		13.2	17.6	10	-1000	51347-***
-0800	-0413		9.9	14.3	8	-0800	
-0600	-0313		6.6	11	6	-0600	
51346-0420	51346-0213	NATURAL	3.3	7.7	4	51347-0420	
MATE WITH	CONFORMABLE-RETAINER	COLOR	B	A	CKT.	MATERIAL NO.	MODEL NO.

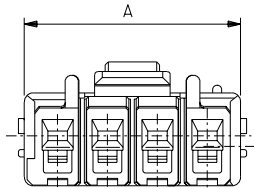
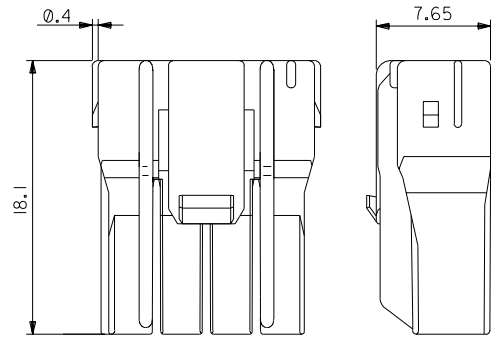
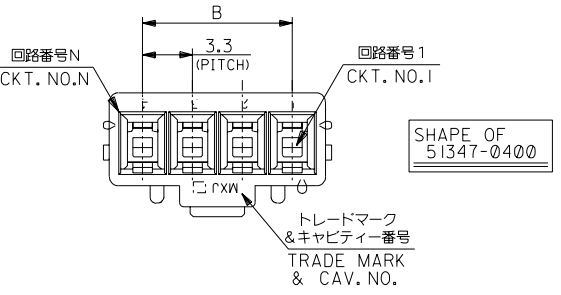
28 NO. DRAWN: CH'K: APPR:	28 NO. DRAWN: CH'K: APPR:	28 NO. DRAWN: CH'K: APPR:	28 NO. DRAWN: CH'K: APPR:	28 NO. DRAWN: CH'K: APPR:	RELEASED 28 NO. J2004-1974 DRAWN: T.ODA 04/01/19 CH'K: S.ICHIKAWA APPR: YO.IITO	DESCRIPTION MATERIAL 材料 FINISH 仕上げ WIRE RANGE 適用電線範囲 INS. RANGE 被覆外径	/// /// /// ///
8	7	6	5	4	3	2	1

GENERAL TOLERANCES: (UNLESS SPECIFIED) 一般公差	SCALE	DESIGN UNITS	DIMENSIONS:		SHT	REV
10 UNDER 未満	1:1	mm INCH	mm	INCH		
10 OVER 以上			mm ONLY			
30 UNDER 未満						
30 OVER 以上						
ANGLE 角度						
	DRAWN BY & DATE T.ODA '04/01/15		TITLE: 3.3 mm WIRE TO WIRE CONN. RECPACLE HOUSING			
	CHECKED BY & DATE S. Ichikawa		MOLEX INCORPORATED			
	APPROVED BY & DATE Y. Ito		CAD FILENAME SD-51347-002.S01	MATERIAL NO. SEE CHART	DRAWING NO. SD-51347-002	SHEET NO. 1 OF 2
	2888 DRAWING CONTAINS INFORMATION THAT IS PROPRIETARY TO MOLEX INCORPORATED AND SHOULD NOT BE USED WITHOUT WRITTEN PERMISSION.					SIZE B

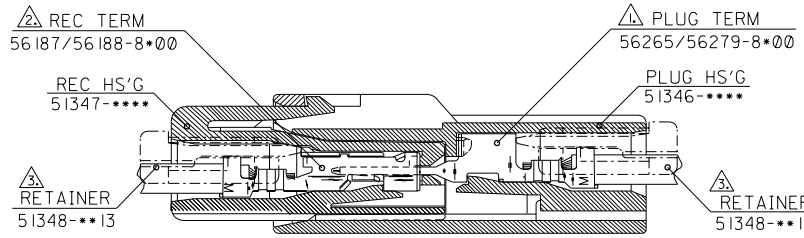
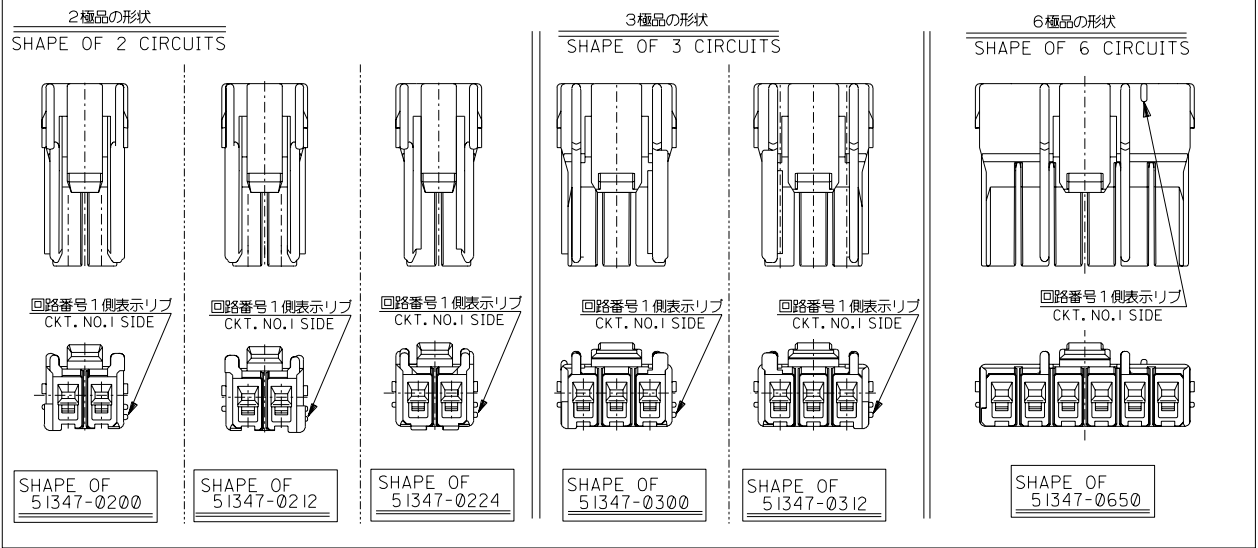
DWG. NO. SD-51347-002

本図は1列品を示す

SINGLE ROW ASS'Y



各種形状を下記に参考として示す。
尚、2極及び3極については嵌合間口にて誤嵌合パリエーションを持たせている為組み合わせには注意して下さい。



ターミナル装着・嵌合状態図
TERMINAL ASSEMBLY & MATING CONDITION

- 注記
NOTES
- △ 適合ターミナル : 56265/56279-8*00
APPLICABLE TERMINAL
詳細はSD-56265-001/SD-56279-001参照のこと。
REFERENCE: SD-56265-001/SD-56279-001
 - △ 適合ターミナル : 56187/56188-8*00
APPLICABLE TERMINAL
詳細はSD-56187-002/SD-56188-002参照のこと。
REFERENCE: SD-56187-002/SD-56188-002
 - △ 適合リテーナー : 51348-***13
APPLICABLE RETAINER
詳細はSD-51348-****参照のこと。
REFERENCE: SD-51348-****
 - 4. 材料 : NYLON66, UL94V-0
MATERIAL

51346-0400	51348-0413	NATURAL	9.9	14.3	4	51347-0400	51347-****
-0312	-0313	RED	6.6	11	3	-0312	
-0300	-0313	NATURAL	6.6	11		-0300	
-0224	-0213	BLUE	3.3	7.7		-0224	
-0212	-0213	RED	3.3	7.7	2	-0212	
51346-0200	51348-0213	NATURAL	3.3	7.7		51347-0200	
MATE WITH	CONFORMABLE-RETAINER	COLOR	B	A		MATERIAL NO.	MODEL NO.

DO NOT SCALE DRAWING

EC NO. DRWN: CH'K: APPR:	EC NO. DRWN: CH'K: APPR:	EC NO. DRWN: CH'K: APPR:	EC NO. DRWN: CH'K: APPR:	EC NO. DRWN: CH'K: APPR:	EC NO. DRWN: CH'K: APPR:	EC NO. DRWN: CH'K: APPR:	EC NO. DRWN: CH'K: APPR:	EC NO. DRWN: CH'K: APPR:	EC NO. DRWN: CH'K: APPR:	EC NO. DRWN: CH'K: APPR:	EC NO. DRWN: CH'K: APPR:	EC NO. DRWN: CH'K: APPR:	EC NO. DRWN: CH'K: APPR:	EC NO. DRWN: CH'K: APPR:	EC NO. DRWN: CH'K: APPR:	EC NO. DRWN: CH'K: APPR:	EC NO. DRWN: CH'K: APPR:	EC NO. DRWN: CH'K: APPR:	EC NO. DRWN: CH'K: APPR:	EC NO. DRWN: CH'K: APPR:						
						MATERIAL 材料						GENERAL TOLERANCES: (UNLESS SPECIFIED) 一般公差			SCALE 1/1		DESIGN UNITS 公称寸法		THIRD ANGLE PROJECTION		DIMENSIONS: mm INCH		SHT 2		REV ON CAD ONLY	
						FINISH 仕上げ						10 UNDER 未満 ±0.2			DRAWN BY & DATE 2009/04/01/15		CHECKED BY & DATE S. Ichikawa		TITLE: 3.3 mm WIRE TO WIRE CONN. RECEPTACLE HOUSING		MATERIAL NO. SD-51347-002		SHEET NO. 2			
						WIRE RANGE 適用電線範囲						10 OVER 以上 30 UNDER 未満 ±0.25			APPROVED BY & DATE Y.Oto		MATERIAL NO. SEE CHART									
						INS. RANGE 被覆外径						30 OVER 以上 ±0.3			CAD FILENAME SD-51347-002.S02		THIS DRAWING CONTAINS INFORMATION THAT IS PROPRIETARY TO MOLEX INCORPORATED AND SHOULD NOT BE USED WITHOUT WRITTEN PERMISSION.		SIZE B		EN-02J(097) MXJ-54					